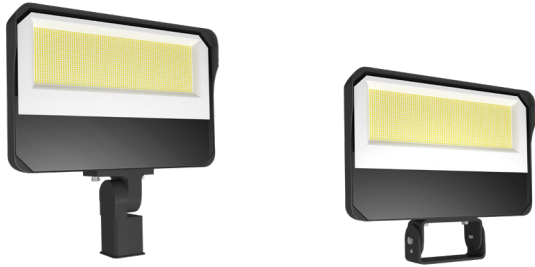


X34 Ultra-Economy, High-Output Floodlight



Ultra-Economy, High-Output Flood Light



0-10V



50,000
HOURS



IP RATING



FIELD
ADJUSTABLE



WET
RATED

PROJECT:

DATE:

TYPE:

PREPARED BY:



KEY FEATURES

- Available wattages: 250W, 350W and 450W
- Field-adjustable CCT: 5000K/4000K/3000K
- Standard 0-10V dimming
- IP66 rated for dust and water
- 5-year, limited warranty

TECHNICAL SPECIFICATIONS

ELECTRICAL

Drivers:

Constant Current, Class 1, 120-277V, 50/60 Hz,
250W: 120V: 2.08A, 208V: 1.20A, 240V: 1.10A, 277V: 0.90A
350W: 120V: 2.92A, 208V: 1.68A, 240V: 1.46A, 277V: 1.27A
450W: 120V: 3.68A, 208V: 2.16A, 240V: 1.90A, 277V: 1.64A

Constant Current, Class 1, 480V, 50/60 Hz,

250W: 480V: 0.53A
350W: 480V: 0.72A
450W: 480V: 0.92A

Dimming Driver:

Driver includes dimming control wiring for 0-10V dimming systems. Requires separate 0-10V DC dimming circuit. Dims down to 10%.

THD:

100W : 6.48% at 120V, 8.9% at 277V
160W : 6.55% at 120V, 13.3% at 277V

Power Factor:

100W : 99.7% at 120V, 97.2% at 277V
160W : 99.8% at 120V, 94.2% at 277V

Surge Protection

4kV

Photocell

Integrated photocell included with a switch to enable/disable the photocell.

Note: All values are typical (tolerance +/- 10%)

LED CHARACTERISTICS

LEDs

Long-life, high-efficacy, discrete, surface-mount LEDs

Color Consistency

7-step MacAdam Ellipse binning to achieve consistent fixture-to-fixture color

Color Uniformity

RAB's range of Correlated Color Temperature follows the guidelines of the American National Standard for Specifications for the Chromaticity of Solid State Lighting (SSL) Products, ANSI C78.377-2017.

CONSTRUCTION

Cold Weather Starting

The minimum starting temperature is -40°C (-40°F)

Maximum Ambient Temperature

Suitable for use in up to 40°C (104°F)

Mounting

Slipfitter with tilt angle in 10° increment
Trunnion with tilt angle in 30° increment

Tilt Increment

-90° to +90°

Housing

Die-cast aluminum

Lens

Tempered glass

Reflector

Polyethylene Terephthalate (PET)

Effective Projected Area

X34 (250W SF/T): 1.2
X34 (350W/450W SF/T): 2.0

IP Rating

Ingress protection rating of IP66 for dust and water

Green Technology

Mercury and UV free. RoHS-compliant components.

Finish

Formulated for high durability and long lasting color

X34 Ultra-Economy, High-Output Floodlight

TECHNICAL SPECIFICATIONS

COMPLIANCE

UL Listed

Suitable for wet locations

DLC Listed

This product is on the Design Lights Consortium (DLC) Qualified Products List and is eligible for rebates from DLC Member Utilities. Designed to meet DLC 5.1 requirements.

MODEL	DLC Product code (120-277V)	DLC Product code (480V)
X34-250(SF,T)	S-Q5BAU1	S-KOIF53
X34-350(SF,T)	S-IFZE5V	S-LATYMK
X34-450(SF,T)	S-HX4CSO	S-S4T9FI

IESNA LM-79 & LM-80 Testing

RAB LED luminaires and LED components have been tested by an independent laboratory in accordance with IESNA LM-79 and LM-80.

PERFORMANCE

Lifespan

50,000-Hour LED lifespan based on IES LM-80 results and TM-21 calculations

OPTICAL

NEMA Type

NEMA Beam Spread of 7HX7V

OTHER

Buy American Act Compliance:

RAB values USA manufacturing! Upon request, RAB may be able to manufacture this product to be compliant with the BUY American Act (BAA). Please contact customer service to request a quote for the product to be made BAA compliant.

Warranty

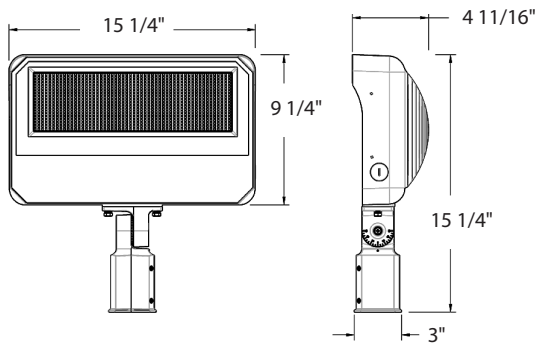
The RAB 5-year, limited warranty covers light output, driver performance and paint finish. RAB's warranty is subject to all terms and conditions found at rablighting.com/warranty.

DIMENSIONS

X34-250W

Weight: 14 lbs

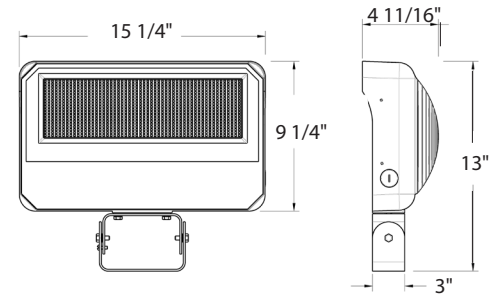
Slipfitter Mount



X34-250W

Weight: 13 lbs

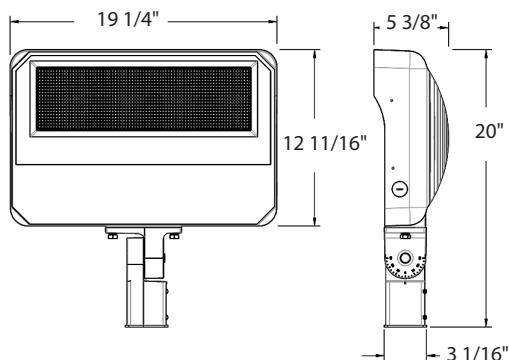
Trunnion Mount



X34-350W

Weight: 25 lbs

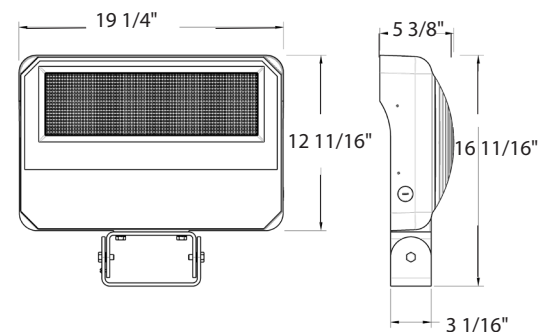
Slipfitter Mount



X34-350W

Weight: 24 lbs

Trunnion Mount



X34-450W

Weight: 26 lbs

X34 Ultra-Economy, High-Output Floodlight

PERFORMANCE

X34 250W (SF,T) , 120-277V	5000K	4000K	3000K	5000K	4000K	3000K	5000K	4000K	3000K
POWER LEVEL	50%			75%			100%		
LUMENS	20,194	20,164	19,174	29,535	29,969	27,956	38,014	39,155	35,848
INPUT WATTS	118.6	116.2	119.2	181.9	177.3	182.8	247.3	239.6	248.6
LM/W	170.3	173.5	160.9	162.4	169.0	152.9	153.7	163.4	144.2
CRI	84	85	83	84	85	82	84	85	82

X34 350W (SF,T) , 480V	5000K	4000K	3000K	5000K	4000K	3000K	5000K	4000K	3000K
POWER LEVEL	50%			75%			100%		
LUMENS	20,385	20,460	19,336	29,672	30,085	28,091	38,479	39,653	36,280
INPUT WATTS	118.7	116.8	119.3	178.6	174.4	179.4	241.2	234.1	242.4
LM/W	171.7	175.2	162.1	166.1	172.5	156.6	159.5	169.4	149.7
CRI	84	85	83	84	85	82	84	85	82

X34 350W (SF,T) , 120-277V	5000K	4000K	3000K	5000K	4000K	3000K	5000K	4000K	3000K
POWER LEVEL	50%			75%			100%		
LUMENS	29,024	28,966	27,586	42,139	42,686	39,873	54,240	55,697	51,137
INPUT WATTS	167.1	163.5	168.3	254.9	248.4	256.6	347.3	335.8	349.5
LM/W	173.7	177.2	163.9	165.3	171.8	155.4	156.2	165.9	146.3
CRI	85	85	83	85	85	82	84	85	82

X34 350W (SF,T) , 480V	5000K	4000K	3000K	5000K	4000K	3000K	5000K	4000K	3000K
POWER LEVEL	50%			75%			100%		
LUMENS	29,006	29,045	27,522	42,152	42,745	39,897	53,959	55,845	51,151
INPUT WATTS	165.5	162.0	166.3	249.6	242.9	251.0	335.3	325.8	337.6
LM/W	175.3	179.3	165.5	1668.9	176.0	159.0	160.9	171.4	151.5
CRI	85	85	83	85	85	82	84	85	82

X34 450W (SF,T) , 120-277V	5000K	4000K	3000K	5000K	4000K	3000K	5000K	4000K	3000K
POWER LEVEL	50%			75%			100%		
LUMENS	33,603	33,253	31,886	48,437	48,658	45,861	66,580	68,262	62,681
INPUT WATTS	197.6	192.0	198.4	295.7	285.6	297.7	437.3	420.2	440.2
LM/W	170.1	173.2	160.7	163.8	170.4	154.1	152.3	162.5	142.4
CRI	85	85	83	85	85	82	84	85	82

X34 450W (SF,T) , 480V	5000K	4000K	3000K	5000K	4000K	3000K	5000K	4000K	3000K
POWER LEVEL	50%			75%			100%		
LUMENS	34,906	34,958	33,225	51,066	51,603	48,280	65,876	67,888	62,074
INPUT WATTS	205.9	202.5	207.5	310.6	302.5	311.3	419.0	408.3	421.2
LM/W	169.5	172.6	160.1	164.4	170.6	155.1	157.2	166.3	147.4
CRI	85	85	83	84	85	82	84	85	82

X34 Ultra-Economy, High-Output Floodlight

ORDERING MATRIX

X34

FAMILY		WATTAGE	COLOR TEMP	MOUNTING		FINISH	VOLTAGE				
X34	-										
250	250W (50%/75%/100% power)	BLANK	5000/4000/3000K	SF	Slipfitter Mount	BLANK	Bronze	BLANK	120-277V		
350	350W (50%/75%/100% power)			T	Trunnion Mount					/480	480V
450	450W (50%/75%/100% power)										