

# XDIM TRIAC/ELV & 0-10V Smart Dimmers



PROJECT:

DATE:

TYPE:

PREPARED BY:



Traditional dimming, upgraded with wireless control



\*Select models

## KEY FEATURES

- Traditional in-wall paddle dimmer for easy retrofit
- Compatible with TRIAC/ELV and 0-10V dimming systems  
Selectable phase control: forward, reverse, or auto detect
- Wireless control via Lightcloud Blue mobile app
- Control on/off, dimming, and schedules
- Optional PIR sensor for occupancy and daylight sensing
- Adjustable high/low trim for optimal performance and savings

## PERFORMANCE

Catalog Number	Product Name	Dimming Control Type	Load Switching Capacity	Key Type	Input Voltage	Finish	Sensor	
XDIM	Phase Dimmer	TRIAC/ELV Forward/ Reverse Phase	LED/CFL: 300W INC/HAL/ELV: 500W MLV: 400VA	Paddle	120V; Neutral Optional*	Matte White	None	
XDIM/LCB	Lightcloud Blue Phase Dimmer					Matte White		
XDIMB/LCB						Black		
XDIMG/LCB						Grey		
XDIMLA/LCB						Light Almond		
XDIM/LCBS	Lightcloud Blue Phase Dimmer w/PIR					Matte White		Passive Infrared
XDIMB/LCBS						Black		
XDIMG/LCBS						Grey		
XDIMLA/LCBS						Light Almond		
XDIM/D10/LCB	Lightcloud Blue 0-10V Dimmer					0-10V		10A/1200W @ 120V 5A/1385W @ 277V
XDIMB/D10/LCB		Black						
XDIMG/D10/LCB		Grey						
XDIMLA/D10/LCB		Light Almond						

\*Neutral is required for power monitoring and when controlling other Lightcloud Blue lights or devices.

## TECHNICAL SPECIFICATIONS

### LIGHTCLOUD BLUE\*

#### Gateway Required

No

#### Communication Protocol

Bluetooth Mesh

#### Range

*Indoor:* Up to 60 feet between standard building materials. Building materials such as brick, concrete, and steel construction may require additional Lightcloud Blue devices to extend around an obstruction; Up to 200 feet clear line of sight.

*Outdoor:* Up to 60 feet clear line of sight; Up to 18 feet around corners

#### Spacing Criteria

Lightcloud Blue devices should be placed within the specified range to communicate within the Bluetooth Mesh network.

\*Does not apply to XDIM

### CONSTRUCTION

#### Product Type

Dimmer

#### Shape

Rectangular

#### Electric Material

Plastic

#### Finish

Matte White, Black, Grey, Light Almond

#### Key Type

Paddle

#### Package Includes

- (1) Dimmer
- (1) Face plate bracket
- (1) Back plate
- (2) Mounting screws

### COMPLIANCE

#### Listing

UL 1472

#### Environment

Suitable for indoor use in dry and damp environments.

#### T20 Compliant

No

#### California Title 24 JA8 Compliant

No

#### California Energy Commission (CEC) Status

Lawful for Sale in California

#### DLC NLC Listed

This product is on the Design Lights Consortium (DLC) Network Lighting Controls (NLC) Qualified Products List and is eligible for rebates from DLC Member Utilities.

DLC system - N1XMLOEATBA (*Interior*); NHCZ2BIA17L (*Exterior*)

#### FCC

Complies with Part 15 of the FCC Rules

#### RoHS

Mercury and UV free. RoHS-compliant components.

### INSTALLATION

#### Mounting

Requires a U.S. wall box with 2-inch depth (*recommended*) and a minimum depth of 1.46 inches. For use in single or multi-gang applications.

#### Application Type

Single pole or 3-way

#### Neutral Wire Required

Phase Dimmers: Optional when connected to a load with non-Lightcloud Blue lights. Required when using to control Lightcloud Blue lights. Power usage can only be reported when neutral-wire is connected.

0-10V Dimmers: Yes, required.

### ELECTRICAL

#### Dimmable

TRIAC/ELV or 0-10V (*requires separate 0-10V dimming circuit*)

#### Operating Temperature

32 °F to 104 °F (0 °C to 40 °C)

#### Input Voltage

120V (TRIAC/ELV), 120-277V (0-10V)

[Consider the XDIM/BRIDGE/LCB for TRIAC/ELV dimmable applications that require 120-277V](#)

### SENSOR SETTINGS *\*Only applies to /LCBS models*

#### Sensor Connection Type

Integrated

#### Max Mounting Height

4 ft.

#### Detection Range

26 ft. distance mounted at 4 ft.

#### Sensor Technology

Passive Infrared (PIR)

#### Detection Range

26 ft. distance mounted at 4 ft.

#### Default Setting

Uncommissioned State:

Motion Sensitivity: High

Brightness when triggered : 100%

Hold time: 20 minute

Standby to dim: 20%

Standby time: 1 minute

When vacant: Off

Daylight Harvesting: Disabled

Photocell: Disabled

Once paired to the mobile app, the sensor will be disabled. Sensor settings can be configured using the mobile app.

#### Daylight Sensing

Closed loop daylight harvesting with continuous dimming. Specify settings using the Lightcloud Blue mobile app.

# XDIM TRIAC/ELV & 0-10V Smart Dimmers



## TECHNICAL SPECIFICATIONS *(cont'd)*

### OTHER

#### Warranty

The RAB 3-year, limited warranty covers light output, driver performance and paint finish. RAB's warranty is subject to all terms and conditions found at [rablighting.com/warranty](http://rablighting.com/warranty).

Download the Lightcloud Blue app for free to get started!



## DIMENSIONS

XDIM

XDIM/LCB

XDIMB/LCB

XDIMG/LCB

XDIMLA/LCB

Weight: 0.40 lb

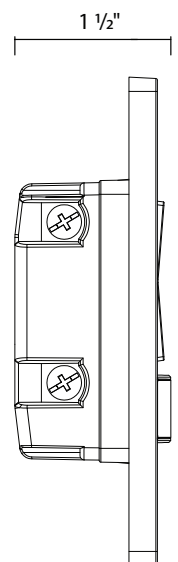
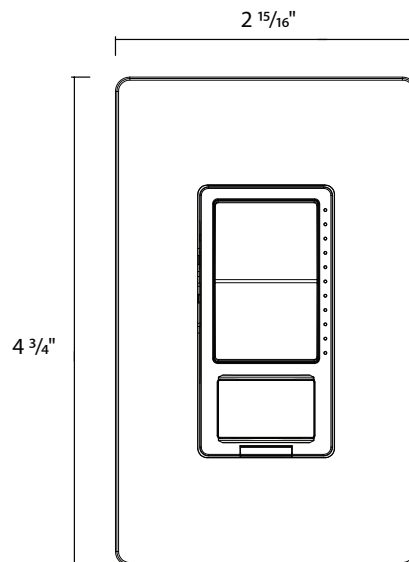
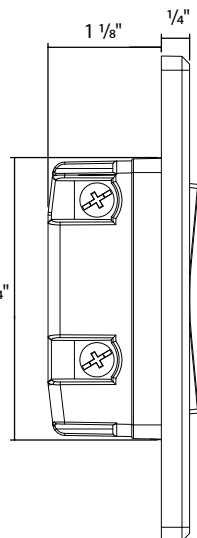
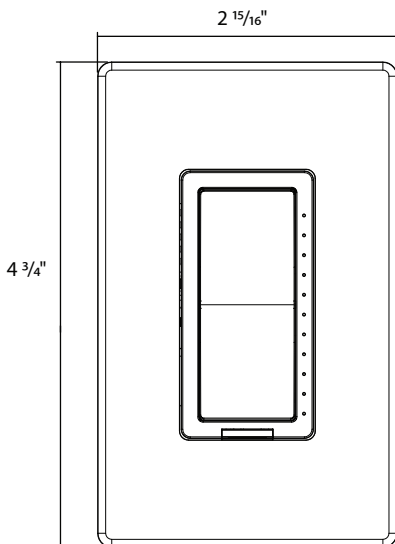
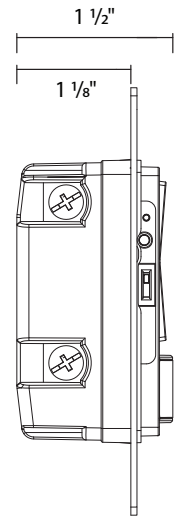
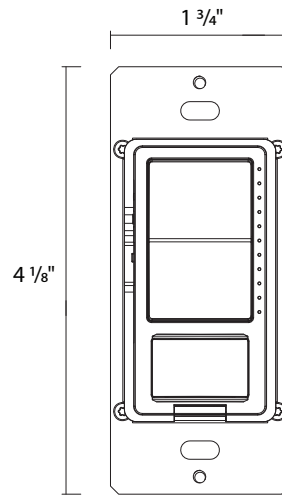
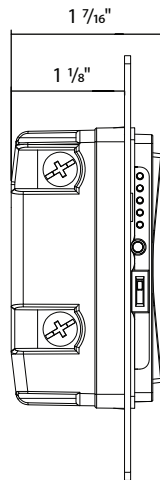
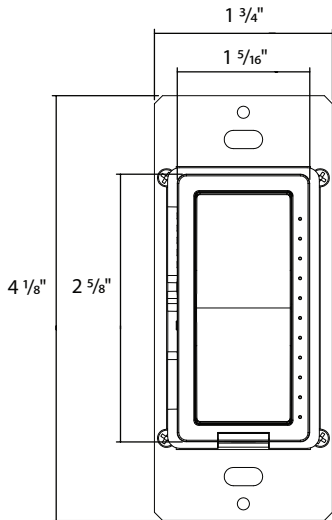
XDIM/LCBS

XDIMB/LCBS

XDIMG/LCBS

XDIMLA/LCBS

Weight: 0.43 lb

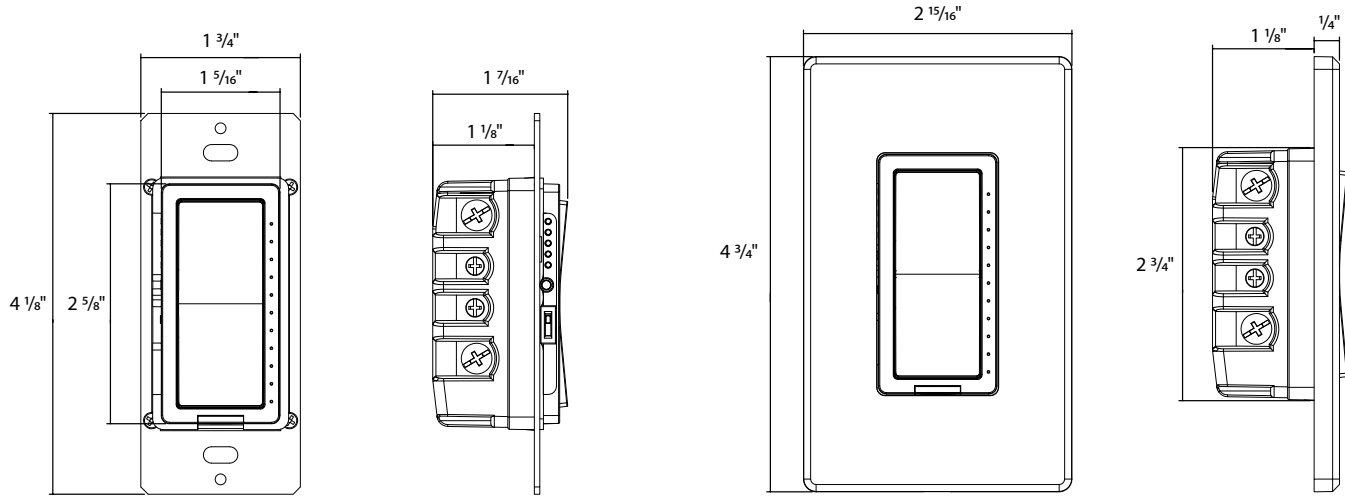


# XDIM TRIAC/ELV & 0-10V Smart Dimmers



## DIMENSIONS (cont'd)

XDIM/D10/LCB  
 XDIMB/D10/LCB  
 XDIMG/D10/LCB  
 XDIMLA/D10/LCB  
 Weight: 0.41 lb



## ORDERING INFO

Catalog/Model Number	UPC	Case Pack
XDIM/LCB	192552027045	24
XDIM/D10/LCB	192552027052	24
XDIM	192552027038	24
XDIM/LCBS	192552044288	24
XDIMB/D10/LCB	192552056588	24
XDIMB/LCB	192552056526	24
XDIMB/LCBS	192552056557	24
XDIMG/D10/LCB	192552056601	24
XDIMG/LCB	192552056540	24
XDIMG/LCBS	192552056571	24
XDIMLA/D10/LCB	192552056595	24
XDIMLA/LCB	192552056533	24
XDIMLA/LCBS	192552056564	24

## ORDERING MATRIX

Family	Finish	Voltage/Dimming	Controls
XDIM	Blank B Black G Gray LA Light Almond	Blank /D10	Standard Lightcloud Blue Lightcloud Blue w/PIR Sensor

\* /D10 model only available with /LCB option  
 \*\* Standard XDIM only available in matte white