

INSTRUCTIONS

A17 AREA LIGHT SLIPFITTER KIT INSTALLATION



RAB Lighting is committed to creating high-quality, affordable, well-designed and energy-efficient LED lighting and controls that make it easy for electricians to install and end users to save energy. We'd love to hear your comments. Please call the Marketing Department at 888-RAB-1000 or email: marketing@rablighting.com



IMPORTANT

READ CAREFULLY BEFORE INSTALLING FIXTURE. RETAIN THESE INSTRUCTIONS FOR FUTURE REFERENCE.

RAB fixtures must be wired in accordance with the National Electrical Code and all applicable local codes. Proper grounding is required for safety. THIS PRODUCT MUST BE INSTALLED IN ACCORDANCE WITH THE APPLICABLE INSTALLATION CODE BY A PERSON FAMILIAR WITH THE CONSTRUCTION AND OPERATION OF THE PRODUCT AND THE HAZARDS INVOLVED.

WARNING: Make certain power is OFF before installing or maintaining fixture.

INSTALLATION

Notice: 90° of angle adjustment.

1. Feed **Fixture** wires through the **Slipfitter Bracket** and secure in place with (4) **Screws** (*provided*) as shown in Fig. 1.
2. Continue wire feed through the **Slipfitter** and secure to the **Slipfitter Bracket** with **Locking Bolt** as shown in Fig. 2.
3. To adjust **Fixture** angle, loosen **Locking Bolt** and set **Fixture** to desired angle.
4. Tighten the **Locking Bolt** to set angle.

Fig: 1

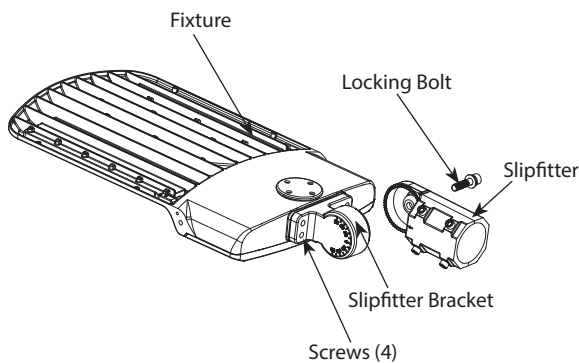
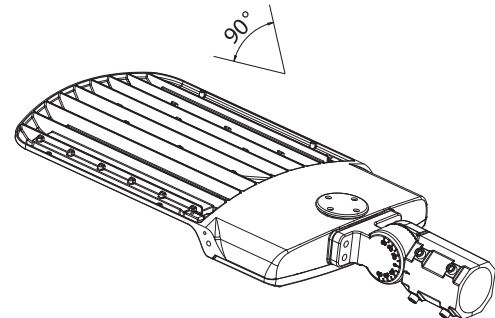


Fig: 2



Note: These instructions do not cover all details or variations in equipment nor do they provide for every possible situation during installation, operation or maintenance.



Easy Answers

© 2024 RAB LIGHTING Inc.

rablighting.com
Visit our website for product info

Tech Help Line
Call our experts: 888 722-1000

e-mail
Answered promptly - sales@rablighting.com

Free Lighting Layouts
Answered online or by request

A17 FA Slipfitter Mount Kit IN-0224
73720-RAB