

INSTRUCTIONS

FIELD-ADJUSTABLE AL5™ AREA LIGHT INSTALLATION

RAB®

RAB Lighting is committed to creating high-quality, affordable, well-designed and energy-efficient LED lighting and controls that make it easy for electricians to install and end users to save energy. We'd love to hear your comments. Please call the Marketing Department at 888-RAB-1000 or email: marketing@rablighting.com

**** DON'T TOSS IT—RECYCLE IT! MAKE THE SUSTAINABLE CHOICE BY RECYCLING THIS FIXTURE AT END OF LIFE WITH A LICENSED RECYCLING PROVIDER. ****



IMPORTANT

READ CAREFULLY BEFORE INSTALLING FIXTURE. RETAIN THESE INSTRUCTIONS FOR FUTURE REFERENCE.

RAB fixtures must be wired in accordance with the National Electrical Code and all applicable local codes. Proper grounding is required for safety. THIS PRODUCT MUST BE INSTALLED IN ACCORDANCE WITH THE APPLICABLE INSTALLATION CODE BY A PERSON FAMILIAR WITH THE CONSTRUCTION AND OPERATION OF THE PRODUCT AND THE HAZARDS INVOLVED.

WARNING: Make certain power is OFF before installing or maintaining fixture. No user serviceable parts inside.

Suitable for Wet locations.

Suitable for mounting within 1.2m (4ft) of the ground.

WARNING: Field-Adjustment settings must be made prior to installation of Upper Assembly (see Fig. 3 & 4).

MOUNTING / FIXTURE ASSEMBLY

1. Fixtures mount to a Square or Round Pole with a 2-3/8" **Tennon** (by others).
2. Feed **Fixture Wires** through **Tennon** (by others) as shown in Fig. 1.
3. Make electrical connections as shown in wiring diagram (Fig. 7). Use approved wiring connectors and wire to local NEC codes. Push all wires back into the **Tennon**. Be careful not to pinch wires.
4. Secure the **Driver Module** to the **Tennon** using **Set Screws** as shown in Fig. 2 (screws are provided).
5. Make **Field-Adjustment** selection prior to installation of **Upper Assembly** as shown in Fig. 3 & 4.
6. Mount the **Upper Assembly** and align to the **Driver Module** observing proper orientation.
NOTE: Alightment features allow only one orientation.
7. Tighten **Driver Module Locking Screws**.

FIG. 1

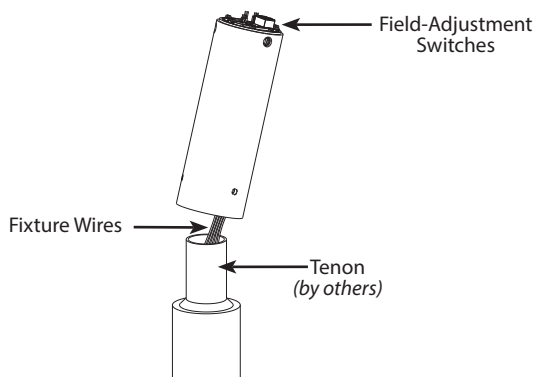
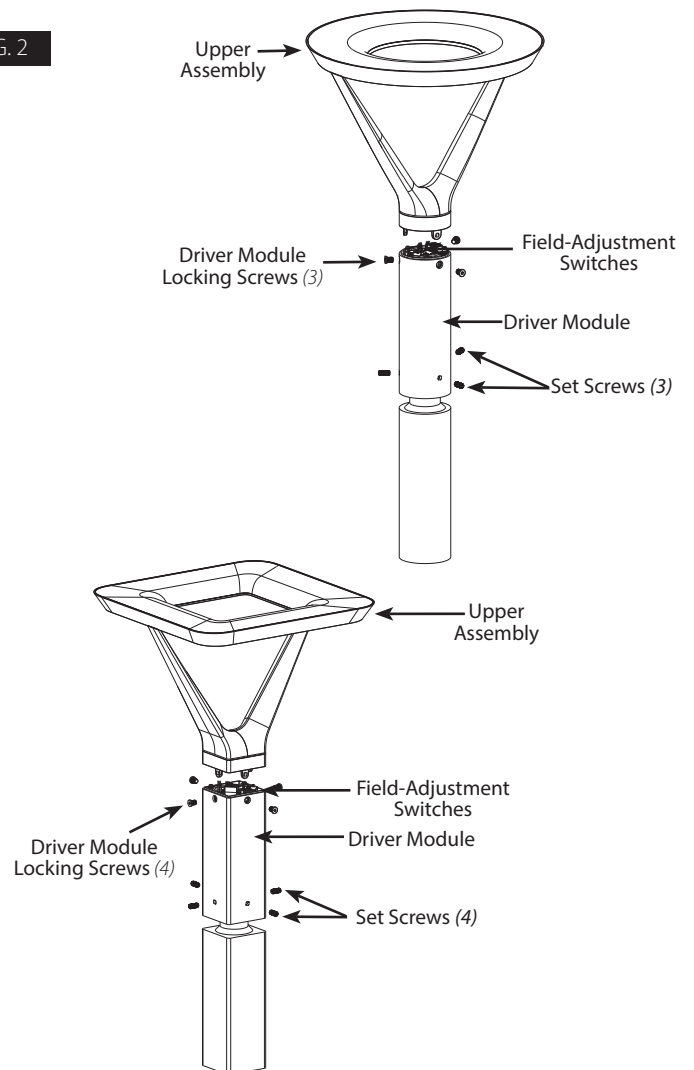


FIG. 2



INSTRUCTIONS

FIELD-ADJUSTABLE AL5™ AREA LIGHT INSTALLATION



RAB Lighting is committed to creating high-quality, affordable, well-designed and energy-efficient LED lighting and controls that make it easy for electricians to install and end users to save energy. We'd love to hear your comments. Please call the Marketing Department at 888-RAB-1000 or email: marketing@rablighting.com

**** DON'T TOSS IT—RECYCLE IT! MAKE THE SUSTAINABLE CHOICE BY RECYCLING THIS FIXTURE AT END OF LIFE WITH A LICENSED RECYCLING PROVIDER. ****

FIELD ADJUSTMENT

Field-Adjustment settings must be made prior to installation of Upper Assembly.

Color Temperature (CCT) Selection:

This product is equipped with 5000, 4000, 3000K CCT color temperature selection. For maximum light output use the 4000K Color Temperature.

Power (Wattage) Selection:

This product is equipped with the following power selection; 120/60/30W

Follow instructions below to change Color Temperature (CCT) and/or Power (W) from factory settings.

Factory Settings: 60W / 4000K

Note: 3000K MODELS: AL5CY, AL5SCY are Power (W) selectable ONLY.

1. Locate the selector switches on **Driver Module** as shown in Fig. 3 & 4.
2. Select **Color Temperature (CCT)** and/or **Power (W)** function by sliding the respective switch to the desired setting (Fig. 3 & 4).

FIG. 3

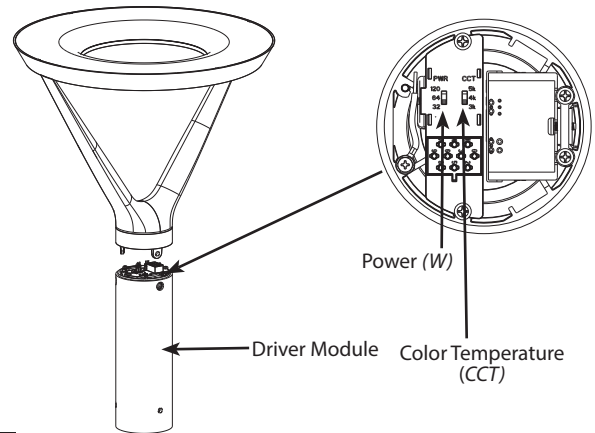
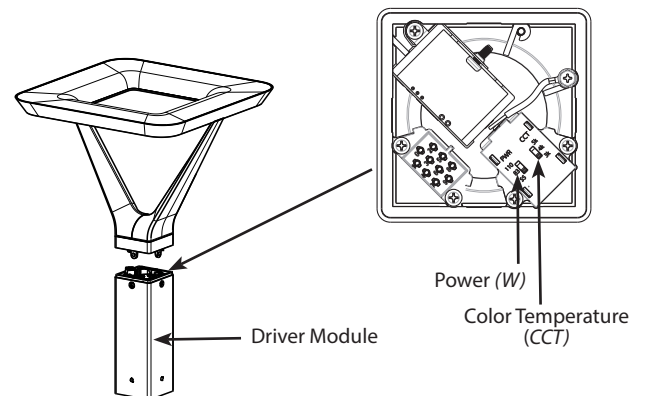


FIG. 4



/SA & /PCTA MODELS

Note: /SA and /PCTA equipped models are wired for either a Motion Sensor or Twistlock Photocell, sensors are ordered separately.

1. Remove either the **Sensor Plug** or **Shorting Cap** depending on fixture model as shown in Fig. 5 & 6.
2. Install desired **Twistlock Photocell** or **Motion Sensor** (ordered separately).

FIG. 5

/SA Model
(Motion Sensor)

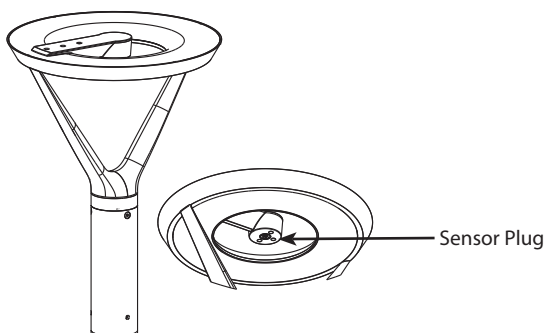
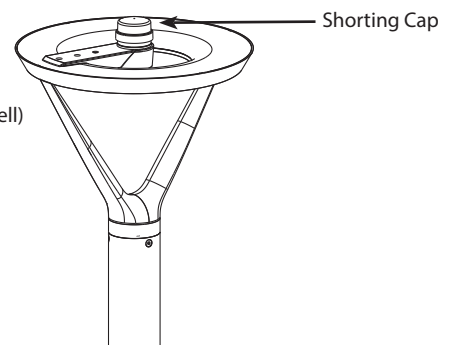


FIG. 6

/PCTA Model
(Twistlock Photocell)



INSTRUCTIONS

FIELD-ADJUSTABLE AL5™ AREA LIGHT INSTALLATION



RAB Lighting is committed to creating high-quality, affordable, well-designed and energy-efficient LED lighting and controls that make it easy for electricians to install and end users to save energy. We'd love to hear your comments. Please call the Marketing Department at 888-RAB-1000 or email: marketing@rablighting.com

**** DON'T TOSS IT—RECYCLE IT! MAKE THE SUSTAINABLE CHOICE BY RECYCLING THIS FIXTURE AT END OF LIFE WITH A LICENSED RECYCLING PROVIDER. ****

0-10V DIMMABLE WIRING

Universal voltage driver permits operation at 120V through 277V 50 or 60 Hz. Models ordered with /480V suffix are 480V, 60Hz ONLY. For 0-10V dimming follow the wiring directions as shown in Fig. 7.

1. Connect the black fixture lead to the **LINE** supply lead.
2. Connect the white fixture lead to the **COMMON** supply lead.
3. Connect the **GROUND** wire from fixture to supply ground.
4. Connect the purple fixture lead to the (V+) DIM lead.
5. Connect the pink fixture lead to the (V-) DIM lead.

NOTE: Do not connect DIM V+ (purple)/ DIM V- (pink) to line voltage or supply ground.

CLEANING & MAINTENANCE

CAUTION: Be sure fixture temperature is cool enough to touch. Do not clean or maintain while fixture is energized.

1. Clean lens with non-abrasive glass cleaning solution.
2. Do not open the fixture to clean the LED. Do not touch the LED.

TROUBLESHOOTING

1. Check that the line voltage at the fixture is correct. Refer to wiring directions.
2. Is the fixture grounded properly?

Note: These instructions do not cover all details or variations in equipment nor do they provide for every possible situation during installation, operation or maintenance.

FIG. 7

