

# GDALED150W WIRE GUARD INSTALLATION INSTRUCTIONS



Thank you for buying RAB lighting fixtures. Our goal is to design the best quality products to get the job done right. We'd like to hear your comments. Call the Marketing Department at 888-RAB-1000 or email: [marketing@rabweb.com](mailto:marketing@rabweb.com)

## IMPORTANT

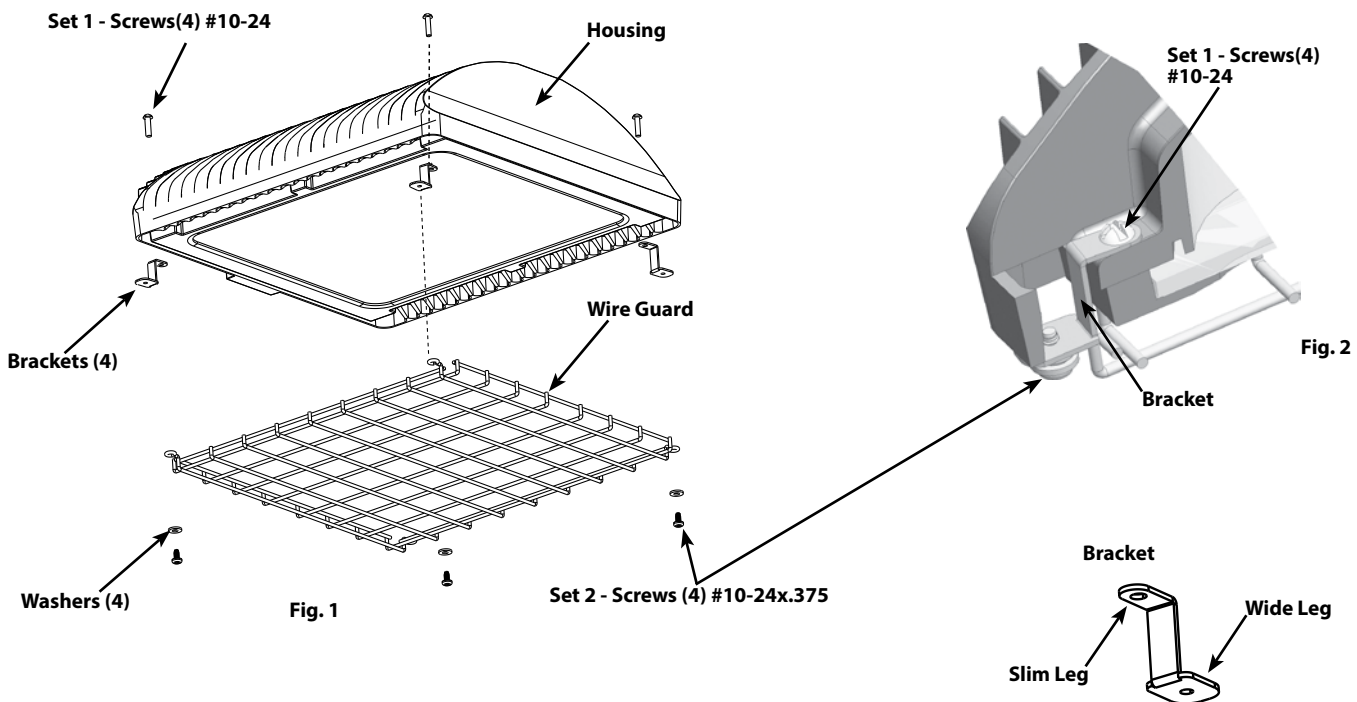
**READ CAREFULLY BEFORE INSTALLING FIXTURE. RETAIN THESE INSTRUCTIONS FOR FUTURE REFERENCE.**

RAB fixtures must be wired in accordance with the National Electrical Code and all applicable local codes. Proper grounding is required for safety. THIS PRODUCT MUST BE INSTALLED IN ACCORDANCE WITH THE APPLICABLE INSTALLATION CODE BY A PERSON FAMILIAR WITH THE CONSTRUCTION AND OPERATION OF THE PRODUCT AND THE HAZARDS INVOLVED.

**WARNING: Make certain power is OFF before installing or maintaining fixture.**

## INSTALLATION

1. Remove only the *corner* **Set 1-Screws (4) #10-24** from **Housing** as shown in **Fig. 1**.
2. Install **slim leg** of **Bracket** to **Housing** as shown in **Fig. 2**.
3. Fasten **Brackets (4)** to corner of Housing with same **Set 1-Screws (4) #10-24**. with **wide leg** of **Bracket** facing downward as shown in Fig.1.
4. Secure **Wire Guard** to **Brackets (4)** with **Set 2 - Screws (4) #10-24 x.375** as shown in Fig. 1. Hardware is provided with guard.



## CLEANING

**Clean glass lens with nonabrasive glass cleaning solution.**

**CAUTION:** Be sure fixture temperature is cool enough to touch. Do not clean or maintain while fixture is energized.

Note: These instructions do not cover all details or variations in equipment nor do they provide for every possible situation during installation, operation or maintenance.



## Easy Installation & Product Help

**Tech Help Line**  
Call our experts 888 RAB-1000

**rabweb.com**  
Visit our website for product info

**email**  
Answered promptly [sales@rabweb.com](mailto:sales@rabweb.com)