

INSTRUCTIONS

BOAS LINEAR - SMARTSHIFT READY INSTALLATION



RAB Lighting is committed to creating high-quality, affordable, well-designed and energy-efficient LED lighting and controls that make it easy for electricians to install and end users to save energy. We'd love to hear your comments. Please call the Marketing Department at 888-RAB-1000 or email: marketing@rablighting.com

**** DON'T TOSS IT—RECYCLE IT! MAKE THE SUSTAINABLE CHOICE BY RECYCLING THIS FIXTURE AT END OF LIFE WITH A LICENSED RECYCLING PROVIDER. ****



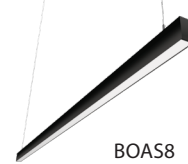
BOAS2



BOAS3



BOAS4



BOAS8

IMPORTANT

READ CAREFULLY BEFORE INSTALLING FIXTURE. RETAIN THESE INSTRUCTIONS FOR FUTURE REFERENCE.

RAB fixtures must be wired in accordance with the National Electrical Code and all applicable local codes. Proper grounding is required for safety. THIS PRODUCT MUST BE INSTALLED IN ACCORDANCE WITH THE APPLICABLE INSTALLATION CODE BY A PERSON FAMILIAR WITH THE CONSTRUCTION AND OPERATION OF THE PRODUCT AND THE HAZARDS INVOLVED.

Fixtures MUST be wired to constant power (*hot feed*) for wireless control using Lightcloud Blue.

Do NOT wire fixtures to 0-10V dimming circuit.

Fixtures cannot be used for continuous run.

Fixtures cannot be surface or recess mounted.

PENDANT MOUNT

1. Use appropriate hardware (*provided*) for installing the fixture.
2. Install **Canopy Mounting Hardware** (*Fig. 1*) for the power supply. Secure the **Cross Brace** to junction box (*Fig. 2*).
3. Pass the **Power Cord** through the ceiling **Canopy** and secure with **Cord Strain Relief** as shown in *Fig. 3*.
4. Feed the **Power Cord** (*provided*) through the **Grommet**. Insert the wires into the respective **Quick Connect** terminal matching colors of existing installed wires (*Fig. 4*) then connect wires as shown in wiring diagram (*Fig. 20*). Use appropriate UL approved wire connectors as required by code to complete wiring. Be careful not to pinch wires.
WARNING: To prevent wiring damage or abrasion, do not expose wiring to edges of sheet metal or other sharp objects.
5. Place the **Canopy** on the mounting surface. Push **Cable Coupler** on the threaded **Cross Brace Stud** and tighten to secure the **Canopy** (*Fig. 5*).
6. For non-power side use recommended spacing to attach the support **Cross Brace, Canopy with Cable and Toggle Bolts** provided (*Fig. 6, 7, 8*).
7. Connect the **Pendant Support Brackets** to the threaded **Cable Locking Device**. Cable length can be adjusted by pressing down on the **Cable Locking Device**, see *Fig. 9*.
8. Install **Pendant Mounting Brackets** near both ends of the fixture by pressing into the slots on top of fixture. Secure **Pendant Mounting Brackets** by tightening **Positioning Screws** (*provided*) as shown in *Fig. 10*.
9. Remove **End Cap** and **Cover Plate** as shown in *Fig. 11*. Knockout the smaller cable entry hole in the **Cover Plate** and install **Grommet** (*provided*).
10. Feed the **Power Cord** (*provided*) through the **Grommet**. Insert the wires into the respective **Quick Connect** terminal matching colors of existing installed wires (*Fig. 12, 13*).
11. Re-install **Cover Plate** and **End Cap**.
12. Fix the **Power Cord** to the **Support Cable** with **Wire Ties** (*provided*) see *Fig. 14*.

INSTRUCTIONS

BOAS LINEAR - SMARTSHIFT READY INSTALLATION



RAB Lighting is committed to creating high-quality, affordable, well-designed and energy-efficient LED lighting and controls that make it easy for electricians to install and end users to save energy. We'd love to hear your comments. Please call the Marketing Department at 888-RAB-1000 or email: marketing@rablighting.com

**** DON'T TOSS IT—RECYCLE IT! MAKE THE SUSTAINABLE CHOICE BY RECYCLING THIS FIXTURE AT END OF LIFE WITH A LICENSED RECYCLING PROVIDER. ****

PENDANT MOUNT (CONT'D)

Fig: 1

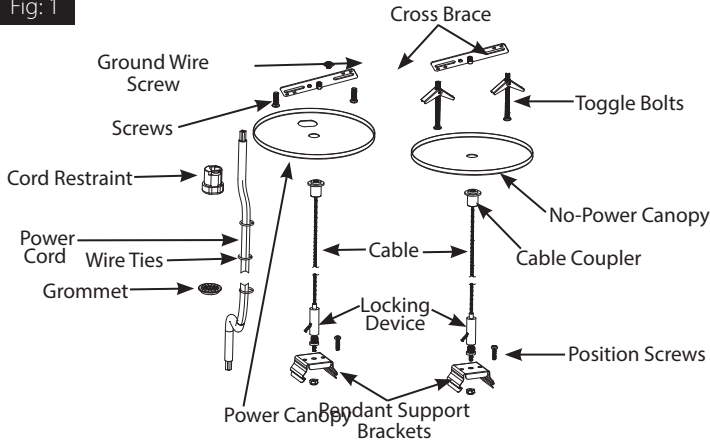


Fig: 2

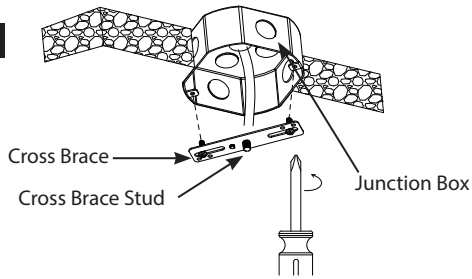


Fig: 3

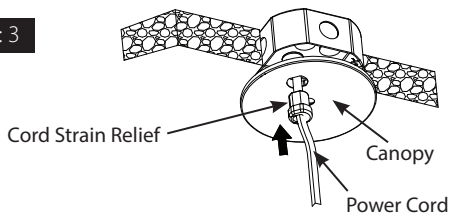


Fig: 4

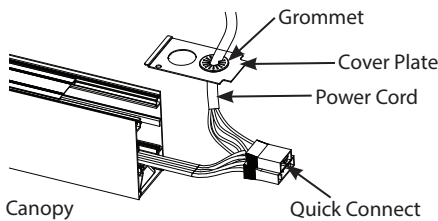


Fig: 5

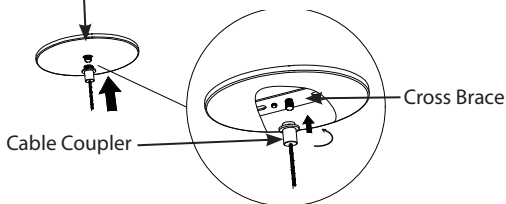


Fig: 6

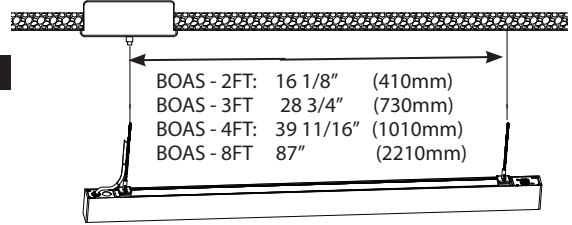


Fig: 7

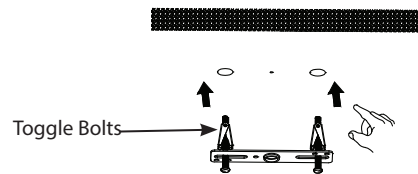


Fig: 8

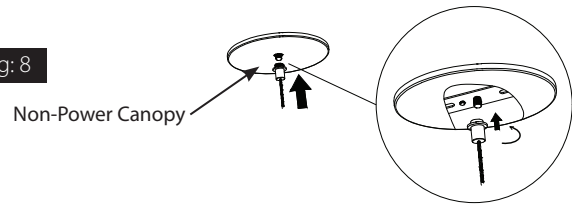


Fig: 9

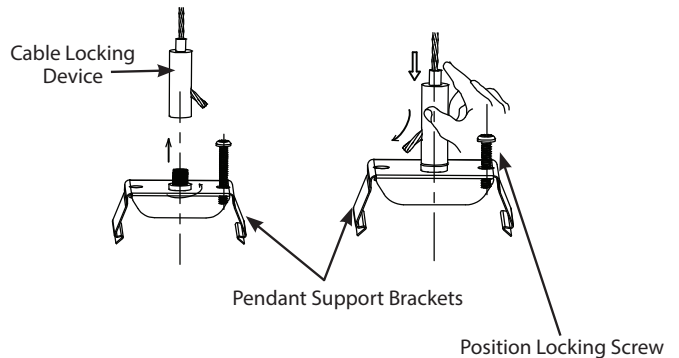
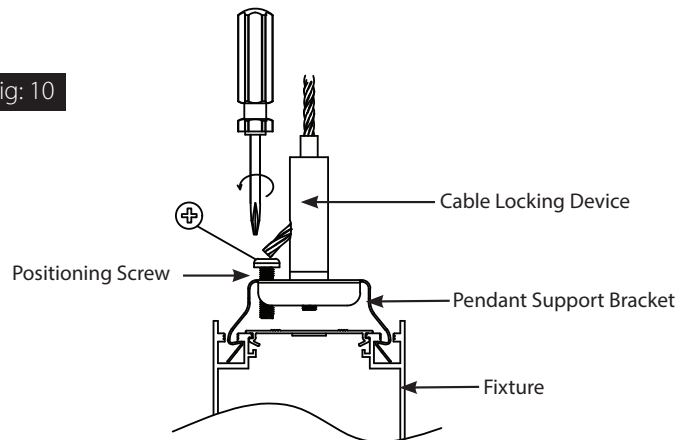


Fig: 10



INSTRUCTIONS

BOAS LINEAR - SMARTSHIFT READY INSTALLATION



RAB Lighting is committed to creating high-quality, affordable, well-designed and energy-efficient LED lighting and controls that make it easy for electricians to install and end users to save energy. We'd love to hear your comments. Please call the Marketing Department at 888-RAB-1000 or email: marketing@rablighting.com

**** DON'T TOSS IT—RECYCLE IT! MAKE THE SUSTAINABLE CHOICE BY RECYCLING THIS FIXTURE AT END OF LIFE WITH A LICENSED RECYCLING PROVIDER. ****

PENDANT MOUNT (CONT'D)

Fig: 11

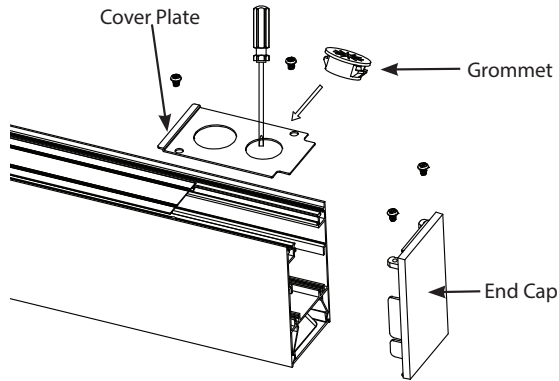


Fig: 13

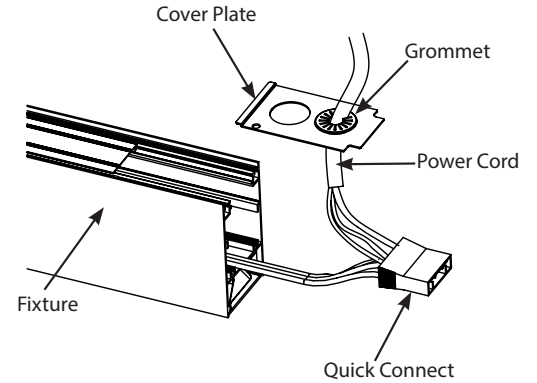


Fig: 12

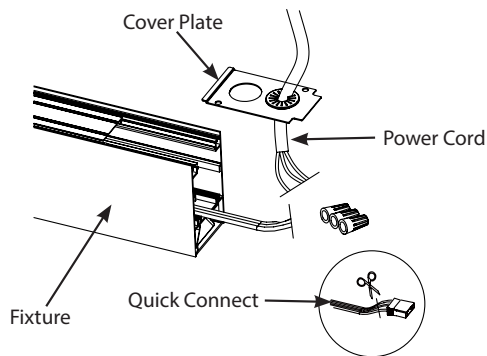
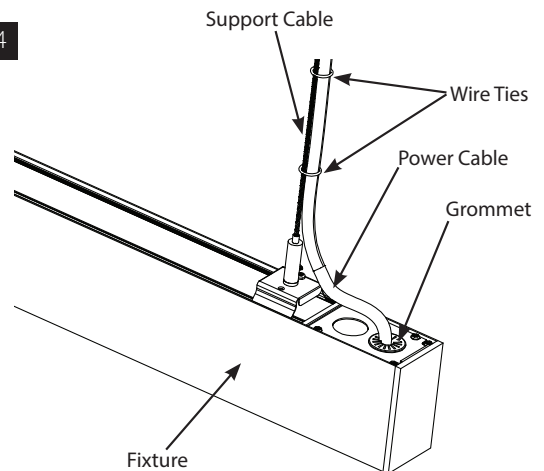


Fig: 14



INSTRUCTIONS

BOAS LINEAR - SMARTSHIFT READY INSTALLATION



RAB Lighting is committed to creating high-quality, affordable, well-designed and energy-efficient LED lighting and controls that make it easy for electricians to install and end users to save energy. We'd love to hear your comments. Please call the Marketing Department at 888-RAB-1000 or email: marketing@rablighting.com

**** DON'T TOSS IT—RECYCLE IT! MAKE THE SUSTAINABLE CHOICE BY RECYCLING THIS FIXTURE AT END OF LIFE WITH A LICENSED RECYCLING PROVIDER. ****

WALL MOUNT

Wall Mount Kit sold separately, CAT# BOAS-WM.

1. Use appropriate hardware for installing the fixture.
2. Secure **Wall Mount Brackets** to the wall as shown in Fig. 15 using appropriate hardware.
3. Recommended **Wall Mounting Bracket** spacing is listed below, Fig. 19.
4. Remove **End Cap** and drill a 1/2" size hole on side of fixture for the **Power Cord** (Fig. 16) to align with the junction box (Fig. 17). Use provided **Cord Strain Relief** to protect **Power Cord**.
5. Feed the **Power Cord** (provided) through the installer drilled hole. Insert the wires into the respective **Quick Connector** captive terminal matching colors of existing installed wires as shown in Fig. 16.
6. Connect wires as shown in wiring diagram (Fig. 20). Use appropriate UL approved wire connectors as required by code to complete wiring. Be careful not to pinch wires. **WARNING: To prevent wiring damage or abrasion, do not expose wiring to edges of sheet metal or other sharp objects.**
7. See Fig. 17 if using a **Single Gang Box Cover Plate** with a **Grommet** to protect the **Power Cord**.
8. Attach the fixture to the **Wall Mount Brackets** with provided hardware (Fig. 18).

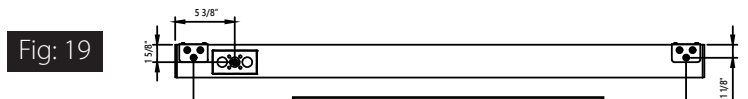
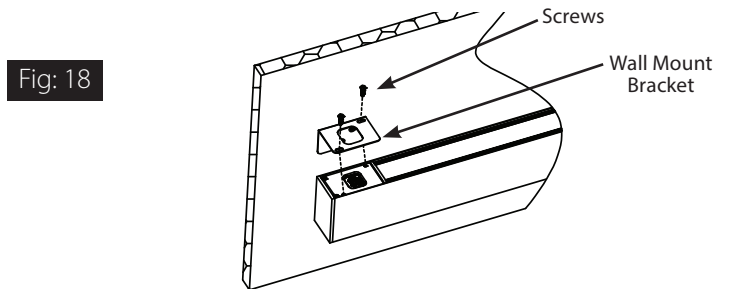
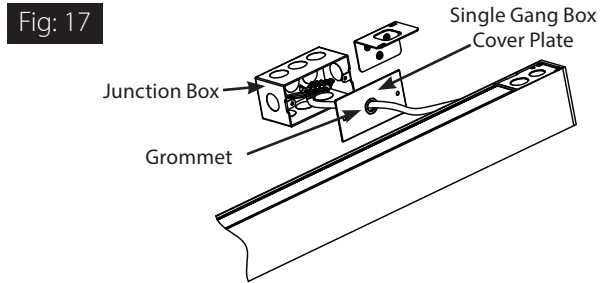
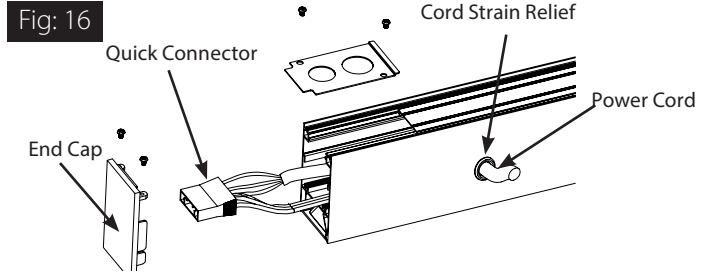


Fig: 19

Wall Mount Spacing	
Model #	Spacing
BOAS2	20 5/8"
BOAS3	33 3/8"
BOAS4	44 1/4"
BOAS8	91 1/2"

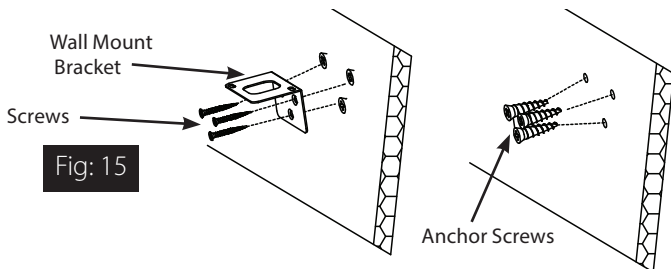


Fig: 15

INSTRUCTIONS

BOAS LINEAR - SMARTSHIFT READY INSTALLATION



RAB Lighting is committed to creating high-quality, affordable, well-designed and energy-efficient LED lighting and controls that make it easy for electricians to install and end users to save energy. We'd love to hear your comments. Please call the Marketing Department at 888-RAB-1000 or email: marketing@rablighting.com

**** DON'T TOSS IT—RECYCLE IT! MAKE THE SUSTAINABLE CHOICE BY RECYCLING THIS FIXTURE AT END OF LIFE WITH A LICENSED RECYCLING PROVIDER. ****

WIRING

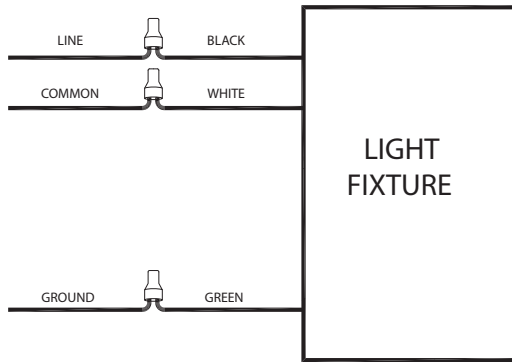
Universal voltage driver permits operation at 120V through 277V, 50 or 60 Hz. All communications for On/Off, dimming and color temperature is done via Bluetooth mesh using the Lightcloud Blue mobile app or devices.

ALL FIXTURES MUST BE WIRED TO CONSTANT POWER (HOT FEED) FOR WIRELESS COMMUNICATION.

See Fig. 20.

1. Connect the black fixture lead to the **LINE** supply lead.
2. Connect the white fixture lead to the **COMMON** supply lead.
3. Connect the **GROUND** wire from fixture to supply ground.

Fig: 20



OCCUPANCY SENSOR

Sensors are integrated at the factory and operate in Occupancy mode in their Uncommissioned (*unpaired*) State. Once paired to the Lightcloud Blue mobile app, the sensor will be disabled. Sensor Settings can be adjusted after being moved into an Area in the Lightcloud Blue mobile app. Once the sensor is enabled in the mobile app, the sensor will respond based on Commissioned (*paired*) State factory settings.

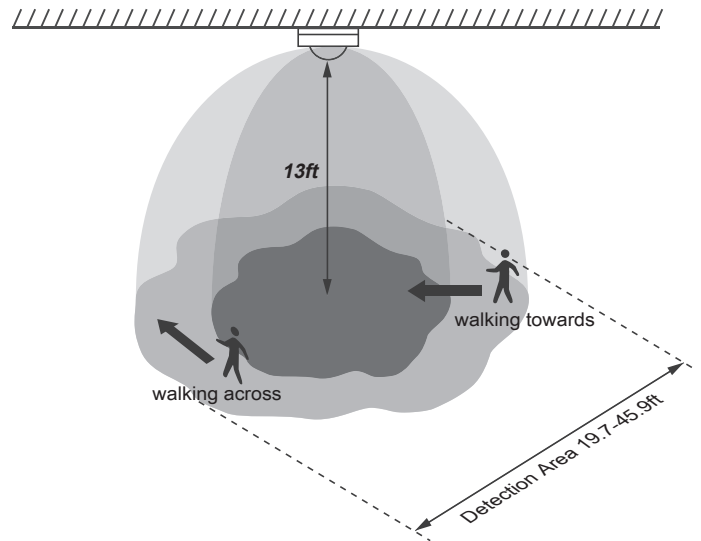
Factory Setting	Unpaired	Paired
Sensor Status	Enabled	Disabled
Motion Sensitivity	High	High
Brightness when triggered	100%	50%
Color Temperature	4000K	3000K
Uplight Ratio	20%	20%
Hold Time	20 minutes	20 minutes
Standby Timeout	1 minute	None
Standby Light Level	30%	-
When Vacant	Off	Off
Daylight Harvesting	Disabled	Disabled

SENSOR COVERAGE

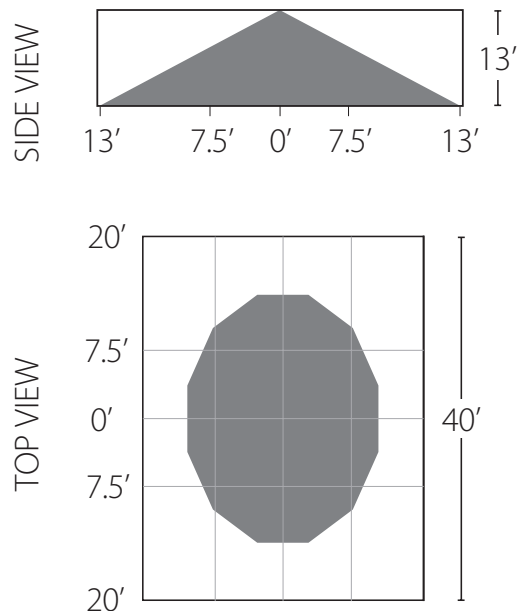
Max Mounting Height: 8 ft to 12 ft.

Detection Range: 20 ft diameter at 9 ft mounting height.

PIR:



MVS:



INSTRUCTIONS

BOAS LINEAR - SMARTSHIFT READY INSTALLATION



RAB Lighting is committed to creating high-quality, affordable, well-designed and energy-efficient LED lighting and controls that make it easy for electricians to install and end users to save energy. We'd love to hear your comments. Please call the Marketing Department at 833-RAB-1000 or email: marketing@rablighting.com

**** DON'T TOSS IT—RECYCLE IT! MAKE THE SUSTAINABLE CHOICE BY RECYCLING THIS FIXTURE AT END OF LIFE WITH A LICENSED RECYCLING PROVIDER. ****

LIGHTCLOUD BLUE

Lightcloud Blue is a Bluetooth mesh wireless lighting control system that allows you to control various compatible devices. With RAB's patented RAPID Provisioning technology, devices can be quickly and easily commissioned using the Lightcloud Blue mobile app.

Each device in a system can communicate with any other device, eliminating the need for a Gateway or Hub and maximizing the control system's reach.

ALL FIXTURE MUST BE WIRED TO CONSTANT POWER (HOT FEED) FOR WIRELESS COMMUNICATION.

CREATE A RELIABLE MESH

Lightcloud Blue devices should be placed within the specified range (~60 ft) to communicate within the Bluetooth Mesh network. Building materials such as brick, concrete and steel construction or heavy vegetation, bushes or trees may require additional Lightcloud Blue devices to extend around an obstruction. Contact RAB Lighting for more information.

DOWNLOAD THE MOBILE APP

Lightcloud Blue mobile app is available for IOS and Android mobile phones and tablets. The mobile app is required to commission and configure the Lightcloud Blue fixtures and devices.

Note: The mobile device is NOT part of the mesh network and must be within ≤ 30 ft from at least one device paired to the Site.



IOS Users



Android Users

GETTING STARTED

1. Confirm you device is powered On.
2. Download the Lightcloud Blue app from the Apple® App store or Google Play™ store.
3. Launch the App and create an account or login.
4. Tap the "add device" icon in the app to start connecting devices.
5. Select the fixture in the app and move it to an Area.
6. You are all set!

RESET TO FACTORY SETTINGS

If your Lightcloud Blue fixture is already paired, you can reset it to factory settings by using below methods.

Method 1: Delete from the App

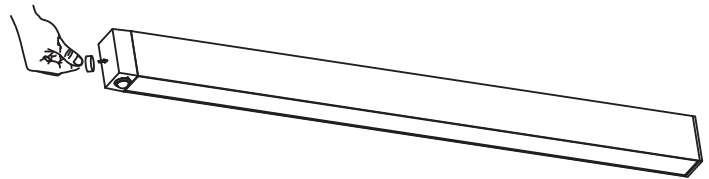
Open the app and access the device settings for the paired device. Be sure that the fixture is online (*green status bars are visible*) and select "DELETE FROM SITE"

Method 2: Manual

Power the fixture off and on 5 times consecutively. Do NOT allow less than 5 seconds and more than 10 seconds to elapse from switch off to on, do NOT allow more than 2 seconds to elapse from switch on to off. The fixture will flash 3 times, then reset to 100% brightness as default CCT.

Method 3: Rapid Reset Tool

The rapid reset process must be done by a professional electrician qualified by RAB. Reach out to your RAB sales manager to request a Rapid Reset Tool. The tool simply needs to be placed directly on fixture for 2 seconds as shown below. The fixture will flash 3 times, then reset to 100% brightness at default CCT.



CONFIGURATION

All configuration of Lightcloud Blue products may be performed using the Lightcloud Blue mobile app.



System overview



Resources

POWER OUTAGE RECOVERY

If there is power loss, the Lightcloud Blue light will turn ON AT LAST DIM LEVEL when power is restored. This behavior can be adjusted to LAS STATE using the mobile app. When using Schedules, be sure to add a NANO/LCB (*sold separately*) to maintain accurate timekeeping after a power loss.

INSTRUCTIONS

BOAS LINEAR - SMARTSHIFT READY INSTALLATION



RAB Lighting is committed to creating high-quality, affordable, well-designed and energy-efficient LED lighting and controls that make it easy for electricians to install and end users to save energy. We'd love to hear your comments. Please call the Marketing Department at 888-RAB-1000 or email: marketing@rablighting.com

**** DON'T TOSS IT—RECYCLE IT! MAKE THE SUSTAINABLE CHOICE BY RECYCLING THIS FIXTURE AT END OF LIFE WITH A LICENSED RECYCLING PROVIDER. ****

BATTERY BACKUP MODELS USING LIGHTCLOUD BLUE

WIRING

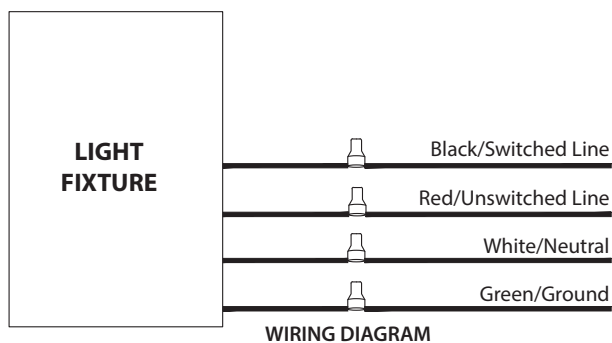
CAUTION: FOR BATTERY BACKUP FIXTURE. Voltage can be present in **BATTERY**. To prevent high voltage from being present on output leads, Inverter connector must be open. Do not join **BATTERY** connector until installation is complete.

NOTE: Make sure that the necessary branch circuit wiring is available. An **UNSWITCHED AC** source of power is required. The emergency driver must be fed from the same branch circuit as the LED driver. Reference Fig. 21 for wiring diagram.

CAUTION: Do not use any supply voltage other than 120-277V, 50/60 Hz.

1. Connect **UNSWITCHED HOT** fixture lead to **HOT AC** supply line.
2. If using an **UNSWITCHED** circuit, connect **UNSWITCHED** and **SWITCHED** lines together.
3. If using a **SWITCHED** circuit, connect **SWITCHED HOT** lead to the switch.
4. All unused leads must be capped and insulated.
5. When power is on, the fixture should be on and the **CHARGING INDICATOR LIGHT** should illuminate to indicate the battery is charging.
6. Once the **BATTERY** has charged for at least one hour, a short duration test may be performed by pressing the **Test Button** as shown in Fig. 22.
7. After the battery has charged for 24 hours, a long duration test can be performed by disconnecting power to the fixture.

Fig: 21



OPERATION

1. When AC power is applied the charging indicator light is illuminated indicating that the **BATTERY** is being charged.
2. When power fails the standby power automatically switches to emergency power (*internal battery*) operating at reduced illumination.
3. When AC power is restored the emergency driver automatically returns to charging mode.

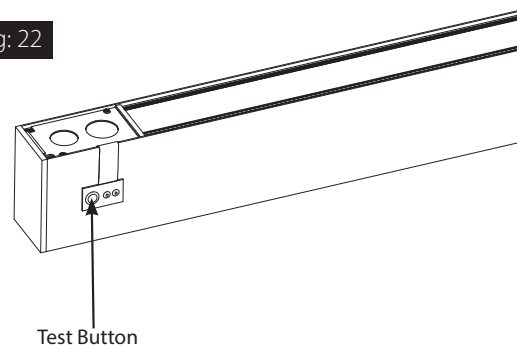
Note: Lightcloud Blue features (i.e. schedules, occupancy sensors) may still operate during emergency operation.

TESTING

The battery backup should be checked periodically to ensure that it is working. The following schedule is recommended:

1. Visually inspect the charging indicator light monthly. It should be illuminated. If the charging indicator light does not illuminate after pressing and releasing the **Test Button** (Fig. 22) check power and check if battery is connected properly.
2. Test the emergency operation of the fixture at 30-day intervals for a minimum of 30 seconds.
3. Conduct a 90-minute discharge test once a year. Fixture would operate at reduced illumination for a minimum of 90 minutes.

Fig: 22



© 2026 RAB LIGHTING Inc.

Easy Answers

rablighting.com
Visit our website for product info

Tech Help Line
Call our experts: 888 722-1000

e-mail
Answered promptly - tech@rablighting.com

Free Lighting Layouts
Answered online or by request

BOA S-0526
P-102860

RAB WARRANTY: RAB's warranty is subject to all terms and conditions found at rablighting.com/warranty.