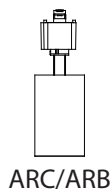


INSTRUCTIONS CYLINDER INSTALLATION

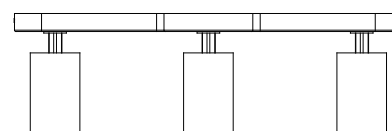
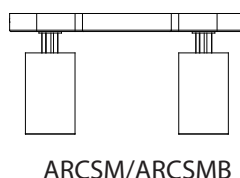


RAB Lighting is committed to creating high-quality, affordable, well-designed and energy-efficient LED lighting and controls that make it easy for electricians to install and end users to save energy. We'd love to hear your comments. Please call the Marketing Department at 888-RAB-1000 or email: marketing@rablighting.com

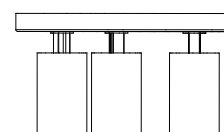
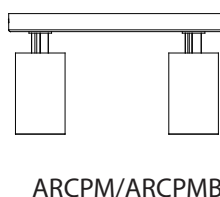
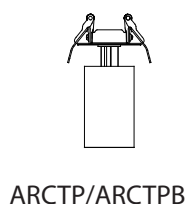
Track Mount



Ceiling Mount



Pendant Mount



IMPORTANT

READ CAREFULLY BEFORE INSTALLING FIXTURE. RETAIN THESE INSTRUCTIONS FOR FUTURE REFERENCE.

RAB fixtures must be wired in accordance with the National Electrical Code and all applicable local codes. Proper grounding is required for safety. THIS PRODUCT MUST BE INSTALLED IN ACCORDANCE WITH THE APPLICABLE INSTALLATION CODE BY A PERSON FAMILIAR WITH THE CONSTRUCTION AND OPERATION OF THE PRODUCT AND THE HAZARDS INVOLVED.

WARNING:

- Make certain power is OFF before installing or maintaining fixture. No user serviceable parts inside.
- Fixture is suitable for wet location.
- Fixture must be mounted a minimum of 4 feet above ground level. T

INSTRUCTIONS

CYLINDER INSTALLATION ARC

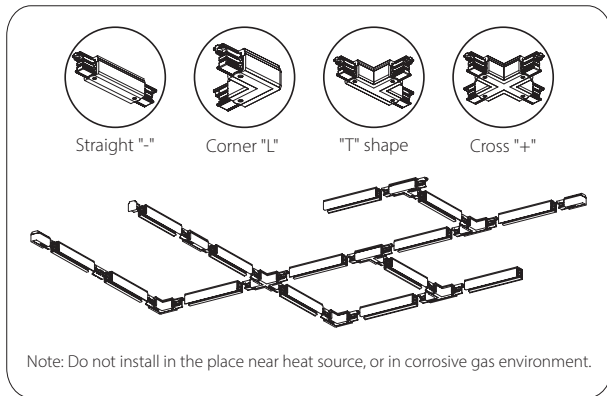
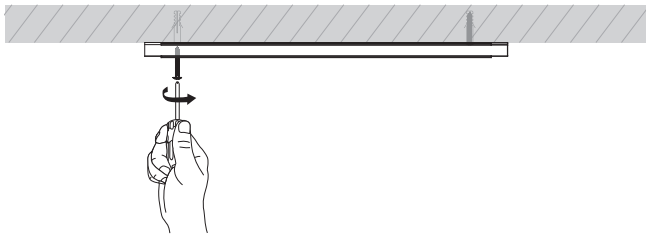


RAB Lighting is committed to creating high-quality, affordable, well-designed and energy-efficient LED lighting and controls that make it easy for electricians to install and end users to save energy. We'd love to hear your comments. Please call the Marketing Department at 888-RAB-1000 or email: marketing@rablighting.com

TRACK MOUNT INSTALLATION

1. Fix the track system on the ceiling.(Fig. 1)

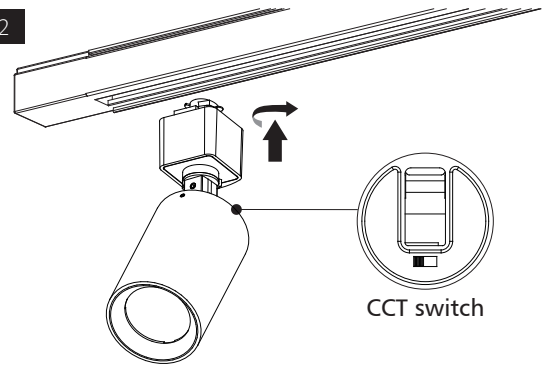
Fig: 1



TRACK MOUNT INSTALLATION(cont'd)

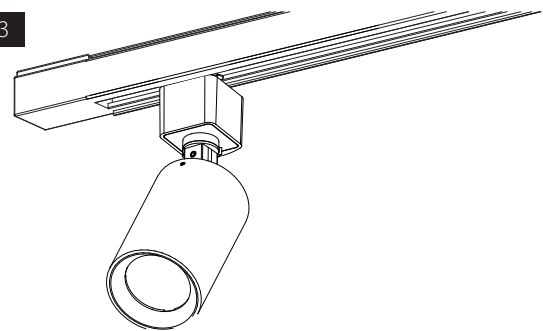
2. Fix the adapter into the track rail.(Fig. 2)

Fig: 2



3. Manually adjust the beam angle as needed.(Fig. 3)

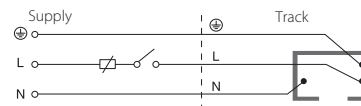
Fig: 3



WIRING DIAGRAM

Fig: 5

3-wires, 1-circuit



1-phase, 1-circuit, 230V AC, 16A, 3.7kVA

INSTRUCTIONS

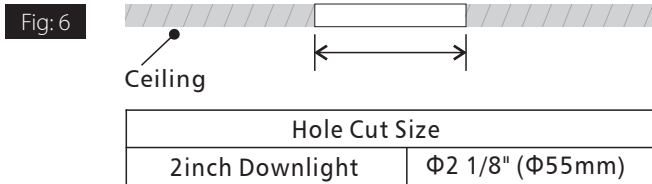
CYLINDER INSTALLATION ARC



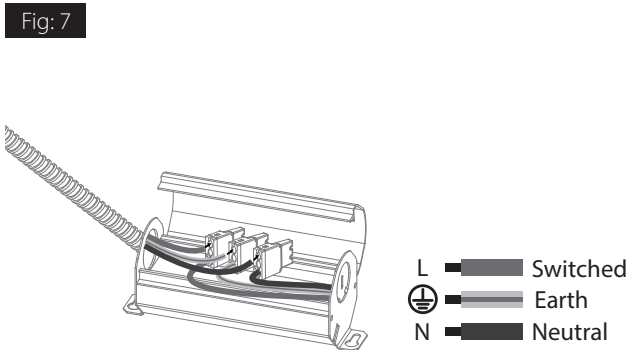
RAB Lighting is committed to creating high-quality, affordable, well-designed and energy-efficient LED lighting and controls that make it easy for electricians to install and end users to save energy. We'd love to hear your comments. Please call the Marketing Department at 888-RAB-1000 or email: marketing@rablighting.com

RECESSED MOUNT INSTALLATION

1. Cut the hole on the ceiling according to the cut-out hard card manual.(Fig. 6)

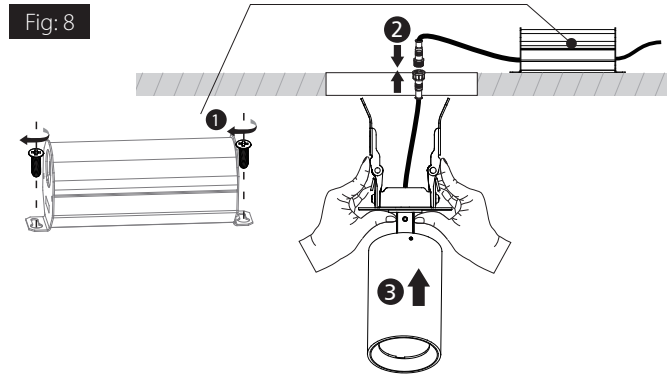


2. Remove the screws on the side.(Fig.7)

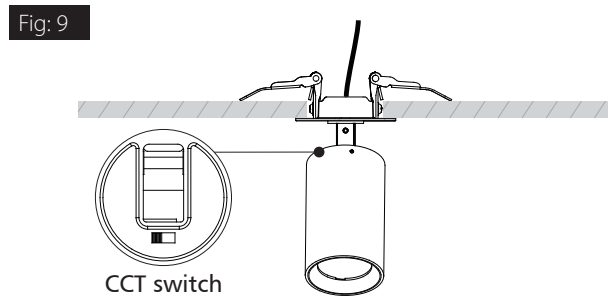


RECESSED MOUNT INSTALLATION(cont'd)

3. Pass the wire through the hole and tighten the screws on the top as well as on both sides.(Fig.8)



4. Extend the wire if needed.(Fig.9)



INSTRUCTIONS

CYLINDER INSTALLATION ARC

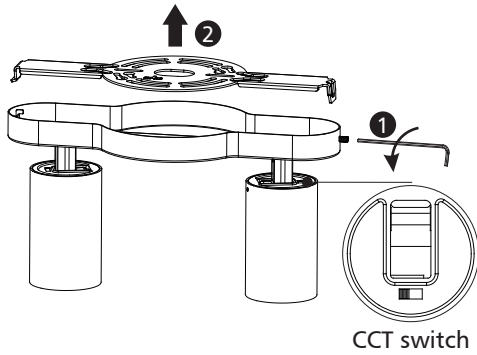


RAB Lighting is committed to creating high-quality, affordable, well-designed and energy-efficient LED lighting and controls that make it easy for electricians to install and end users to save energy. We'd love to hear your comments. Please call the Marketing Department at 888-RAB-1000 or email: marketing@rablighting.com

CEILING MOUNT INSTALLATION

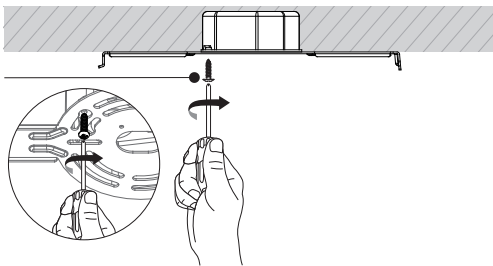
1. Rotate and separate the installation bracket.(Fig. 10)

Fig: 10



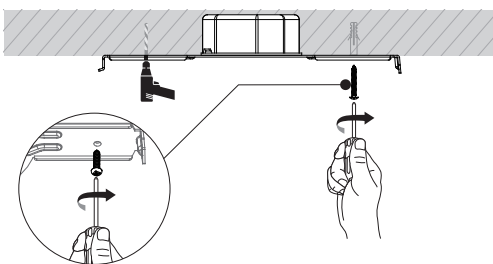
2. Connect wires correspondingly.(Fig. 11)

Fig: 11



3. Fix the bracket into the junction box.(Fig. 12)

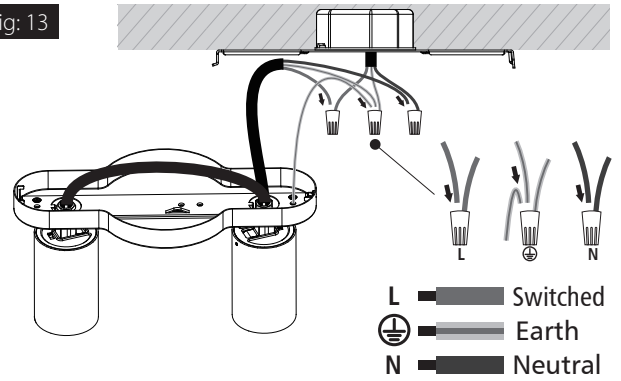
Fig: 12



CEILING MOUNT INSTALLATION(cont'd)

4. Lock the ceiling plate to the bracket .(Fig. 13)

Fig: 13



5.Put the front cover on.(Fig. 14)

Installation completed.

Fig: 14

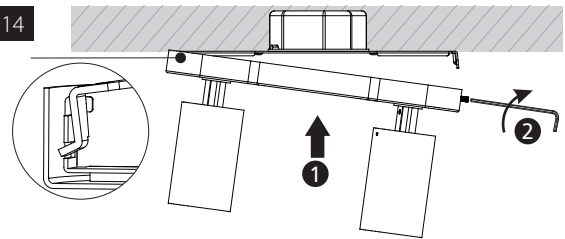
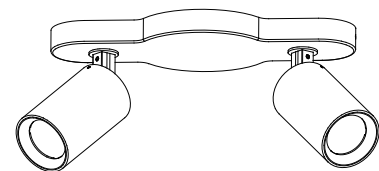


Fig: 15



INSTRUCTIONS

CYLINDER INSTALLATION ARC

RAB[®]

RAB Lighting is committed to creating high-quality, affordable, well-designed and energy-efficient LED lighting and controls that make it easy for electricians to install and end users to save energy. We'd love to hear your comments. Please call the Marketing Department at 888-RAB-1000 or email: marketing@rablighting.com

CEILING MOUNT INSTALLATION(cont'd)

1. Rotate and separate the installation bracket.(Fig.15)

Fig: 15

2. Connect wires correspondingly.(Fig. 16)

Fig: 16

3. Fix the bracket into the junction box.(Fig. 17)

Fig: 17

CEILING MOUNT INSTALLATION(cont'd)

4. Lock the ceiling palte to the bracket.(Fig. 18)

Fig: 18

5. Put the front cover on.(Fig. 19)

Fig: 19

INSTRUCTIONS

CYLINDER INSTALLATION ARC

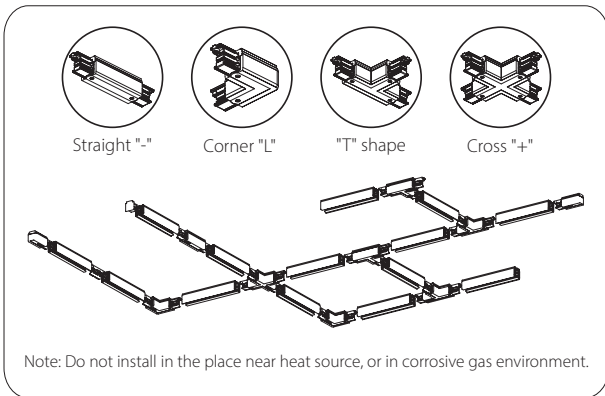
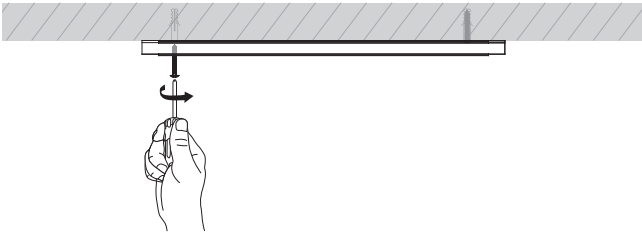


RAB Lighting is committed to creating high-quality, affordable, well-designed and energy-efficient LED lighting and controls that make it easy for electricians to install and end users to save energy. We'd love to hear your comments. Please call the Marketing Department at 888-RAB-1000 or email: marketing@rablighting.com

PENDANT MOUNT INSTALLATION

1. Fix the track system on the ceiling.(Fig. 20)

Fig: 20



2. Fix the adapter into the track rail.(Fig. 21)

Fig: 21

PENDANT MOUNT INSTALLATION(cont'd)

Fig: 22

3. Lock the adapter by the handle.(Fig 22)

Fig: 22