

INSTRUCTIONS

LED T8 Tube Series

RAB Lighting is committed to creating high-quality, affordable, well-designed and energy-efficient LED lighting and controls that make it easy for electricians to install and end users to save energy. We'd love to hear your comments. Please call the Marketing Department at 888-RAB-1000 or email: marketing@rablighting.com

T8 Type C (External Driver)
T8-2L-48G-8XX-EXT
T8-4L-48G-8XX-EXT



SAFETY PRECAUTIONS

WARNINGS:

- **Make certain power is OFF before installing or maintaining fixture.**
- **RISK OF ELECTRIC SHOCK.** SUITABLE FOR DAMP LOCATIONS.
- **USE ONLY LUMINAIRE WITH LAMP COMPARTMENT DIMENSIONS [Length x Width x Depth] [mm]: 1218 x 573 x 65**

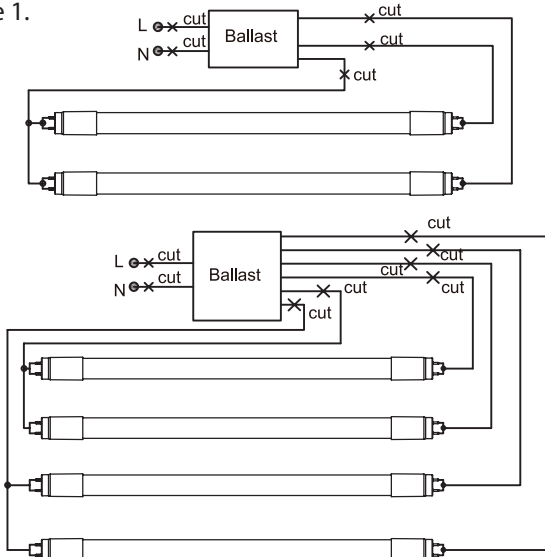
SAFETY INFORMATION:

- (1) To prevent wiring damage or abrasion, do not expose wiring to edges of sheet metal or other sharp objects.
- (2) This retrofit kit is accepted as a component of a luminaire where the suitability of the combination shall be determined by authorities having jurisdiction. PRODUCT MUST BE INSTALLED BY A QUALIFIED ELECTRICIAN IN ACCORDANCE WITH THE APPLICATION AND APPROPRIATE ELECTRICAL CODES. THE INSTALLATION GUIDE DOES NOT SUPERSEDE LOCAL OR NATIONAL REGULATIONS FOR ELECTRICAL INSTALLATIONS.
- (3) Do not make or alter any open holes in an enclosure of wiring or electrical components during kit installation.
- (4) Installers should not disconnect existing wires from lampholder terminals to make new connections at lampholder terminals. Instead installers should cut existing lampholder leads away from the lampholder and make new electrical connections to lampholder lead wires by employing applicable connectors.
- (5) This device is not intended for use with emergency exits.

INSTALLATION INSTRUCTIONS

- 1) Make sure the power supply is turned off.
2. Open/Remove ballast wiring compartment cover (**Figure 1**).

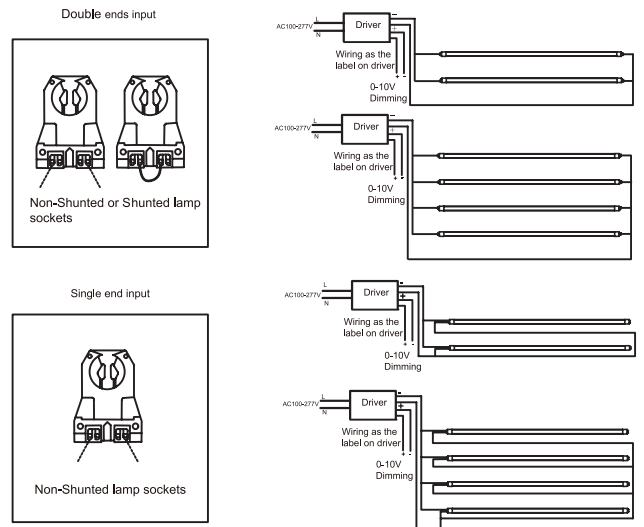
Figure 1.



INSTALLATION INSTRUCTIONS (cont'd)

Please install according to the type of lamp sockets, double ends input for non-shunted or shunted lamp sockets, single end input for non-shunted sockets only.

Figure 2.



3. Wiring the driver as following figures, (**Figure 2**) the LED tube designed can be both single end input or double ends input.

4. Apply Replacing Label on a visible location inside the fixture.
5. Turn power on.

INSTRUCTIONS

LED T8 Tube Series

RAB Lighting is committed to creating high-quality, affordable, well-designed and energy-efficient LED lighting and controls that make it easy for electricians to install and end users to save energy. We'd love to hear your comments. Please call the Marketing Department at 888-RAB-1000 or email: marketing@rablighting.com

WARNING

RISK OF FIRE OR ELECTRIC SHOCK. Installation of this retrofit kit requires a person familiar with the construction and operation of the luminaire's electrical system and the hazards involved. If not qualified, do not attempt installation. Contact a qualified electrician.

RISK OF FIRE OR ELECTRIC SHOCK. Install this kit only in the luminaire that has the construction features and dimensions shown in the photographs and/or drawings and where the input rating of the retrofit kit does not exceed the input rating of the luminaire.

WARNING: TO AVOID POTENTIAL FIRE OR SHOCK HAZARD, do not use this retrofit kit in luminaires employing shunted bi-pin lampholders. **Note:** Shunted lamp holders are found only in fluorescent luminaires with Instant-Start ballasts. Instant-start ballasts can be identified by the words "Instant Start" or "I.S." marked on the ballast. This designation may be in the form of a statement pertaining to the ballast itself, or may be combined with the marking for the lamps with which the ballast is intended to be used, for example F40T12/IS. For more information, contact the LED luminaire retrofit kit manufacturer.

INSTRUCTIONS

LED T8 Tube Series

RAB Lighting is committed to creating high-quality, affordable, well-designed and energy-efficient LED lighting and controls that make it easy for electricians to install and end users to save energy. We'd love to hear your comments. Please call the Marketing Department at 888-RAB-1000 or email: marketing@rablighting.com

WARRANTY

This product is warranted for 5 years from the date of purchase. If this product does not perform to the specifications supplied on this package, send an email or write to the address below for product return and replacement. This replacement is the sole remedy available. Liability for incidental or consequential damage is expressly excluded.

WARNING

DO NOT INSTALL THIS LAMP IN A PRE-HEAT LUMINAIRE.

CAUTION RISK OF FIRE. If the lamp or luminaire exhibits undesirable operation (buzzing, flickering, etc.), immediately turn off power, remove lamp from luminaire and contact manufacturer.

RISK OF FIRE OR ELECTRIC SHOCK. LED Retrofit Kit installation requires knowledge of luminaires electrical systems. If not qualified, do not attempt installation. Contact a qualified electrician.

CAUTION RISK OF FIRE. To avoid potential fire or shock hazard, do not use this retrofit kit in luminaires employing shunted bi-pin lampholders. Note: Shunted lamp holders are found only in fluorescent luminaires with Instant-Start ballasts. Instant-start ballasts can be identified by the words "Instant Start" or "I.S." marked on the ballast. This designation may be in the form of a statement pertaining to the ballast itself, or may be combined with the marking for the lamps with which the ballast is intended to be used, for example F40T12/IS. For more information, contact the LED luminaire retrofit kit manufacturer.

THIS RETROFIT KIT IS ACCEPTED AS A COMPONENT OF A LUMINAIRE WHERE THE SUITABILITY OF THE COMBINATION SHALL BE DETERMINED BY AUTHORITIES HAVING JURISDICTION.