

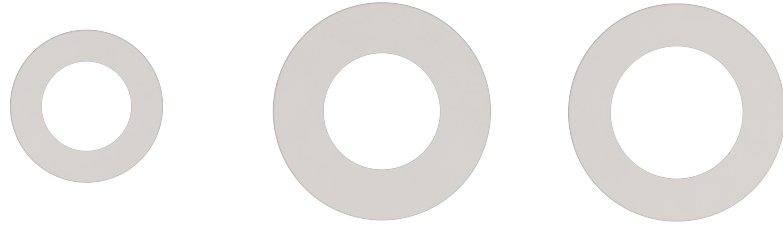
# INSTRUCTIONS

## DLX-XGOOF/R/P/CRLEDFA



RAB Lighting is committed to creating high-quality, affordable, well-designed and energy-efficient LED lighting and controls that make it easy for electricians to install and end users to save energy. We'd love to hear your comments. Please call the Marketing Department at 888-RAB-1000 or email: [marketing@rablighting.com](mailto:marketing@rablighting.com)

**DL6-8GOOF/R/P/CRLEDFA**  
**DL8-12GOOF/R/P/CRLEDFA**  
**DL10-12GOOF/R/P/CRLEDFA**



### IMPORTANT

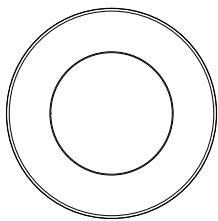
#### READ CAREFULLY BEFORE INSTALLING FIXTURE. RETAIN THESE INSTRUCTIONS FOR FUTURE REFERENCE.

RAB fixtures must be wired in accordance with the National Electrical Code and all applicable local codes. Proper grounding is required for safety. THIS PRODUCT MUST BE INSTALLED IN ACCORDANCE WITH THE APPLICABLE INSTALLATION CODE BY A PERSON FAMILIAR WITH THE CONSTRUCTION AND OPERATION OF THE PRODUCT AND THE HAZARDS INVOLVED.

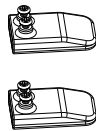
#### WARNINGS:

- Read all the product labels and instructions before installing fixture.
- Wear safety gloves and other appropriate safety equipment.

### WHAT'S IN THE BOX



Fixture (1)

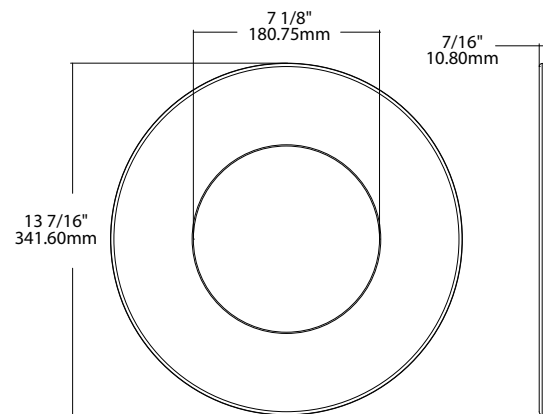


Extension brackets(2)

### TOOLS NEEDED

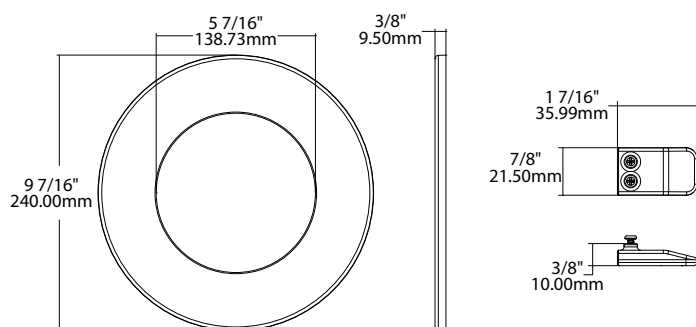
A screwdriver is needed for installation.

### DIMENSIONAL DRAWINGS



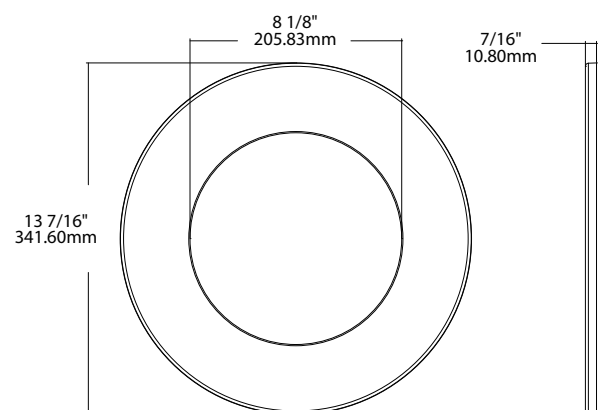
DL8-12GOOF/R/P/CRLEDFA

### DIMENSIONAL DRAWINGS



DL6-8GOOF/R/P/CRLEDFA

Extension brackets



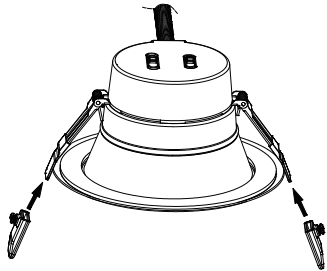
DL10-12GOOF/R/P/CRLEDFA

RAB Lighting is committed to creating high-quality, affordable, well-designed and energy-efficient LED lighting and controls that make it easy for electricians to install and end users to save energy. We'd love to hear your comments. Please call the Marketing Department at 888-RAB-1000 or email: [marketing@rablighting.com](mailto:marketing@rablighting.com)

### INSTALLATION INSTRUCTIONS

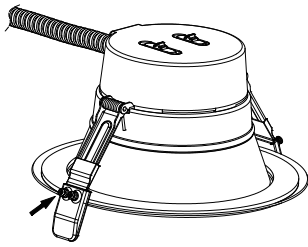
1. Slide extension brackets on to fixture clips. (Fig.1)

Fig.1



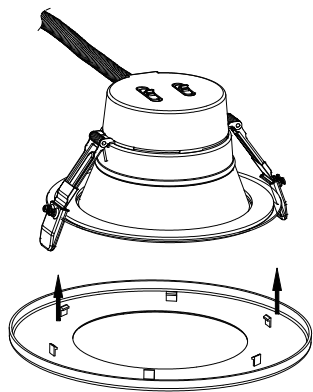
2. Tighten screws with screwdriver. (Fig.2)

Fig.2



3. Push goof ring gently against fixture until tabs are around the fixture trim. (Fig.3)

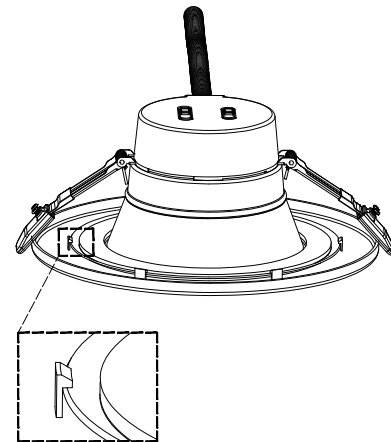
Fig.3



### INSTALLATION INSTRUCTIONS

4. Make sure the fixture trim is fastened with tabs. Then follow the installations for the fixture. (Fig.4)

Fig.4



### COMPATIBLE PRODUCTS

DL6-8GOOF/R/P/CRLEDFA	CRLEDFA-6R-24S-9CCT-UNV-WS
DL8-12GOOF/R/P/CRLEDFA	CRLEDFA-8R-33S-9CCT-UNV-WS
DL10-12GOOF/R/P/CRLEDFA	CRLEDFA-10R-43S-9CCT-UNV-WS

*Note: These instructions do not cover all details or variations in equipment nor do they provide for every possible situation during installation, operation or maintenance.*