

INSTRUCTIONS

ELX EMERGENCY LIGHTING INSTALLATION



RAB Lighting is committed to creating high-quality, affordable, well-designed and energy-efficient LED lighting and controls that make it easy for electricians to install and end users to save energy. We'd love to hear your comments. Please call the Marketing Department at 888-RAB-1000 or email: marketing@rablighting.com

**** DON'T TOSS IT—RECYCLE IT! MAKE THE SUSTAINABLE CHOICE BY RECYCLING THIS FIXTURE AT END OF LIFE WITH A LICENSED RECYCLING PROVIDER. ****



**EXLNYC
ELSNYC**



**EXLNYC-MP
ELSNYC-MP**

IMPORTANT

READ CAREFULLY BEFORE INSTALLING FIXTURE. RETAIN THESE INSTRUCTIONS FOR FUTURE REFERENCE.

RAB fixtures must be wired in accordance with the National Electrical Code and all applicable local codes. Proper grounding is required for safety. THIS PRODUCT MUST BE INSTALLED IN ACCORDANCE WITH THE APPLICABLE INSTALLATION CODE BY A PERSON FAMILIAR WITH THE CONSTRUCTION AND OPERATION OF THE PRODUCT AND THE HAZARDS INVOLVED.

- When re-lamping, only use lamps specified in the exit sign. Using other lamp types may result in damage to the unit or unsafe conditions.
- Battery in this unit may not be fully charged. After electricity is hooked up to unit, let the battery charge for at least 24 hours. Normal operation of this unit should then take effect.

IMPORTANT SAFEGUARDS:

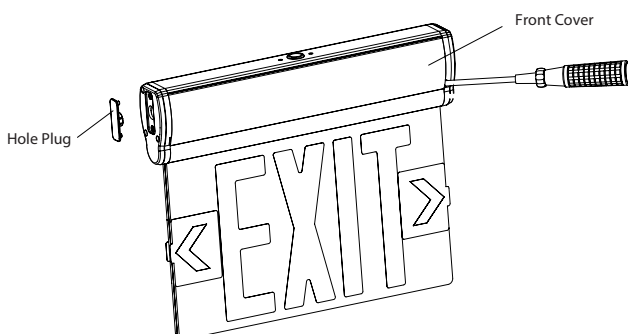
When using electrical equipment, basic safety precautions should always be followed including the following:

READ AND FOLLOW ALL SAFETY INSTRUCTIONS

- Do not use outdoors.
- Do not mount near gas or electric heaters.
- Equipment should be mounted in locations and at heights where it will not be subjected to tampering by unauthorized personnel.
- The use of accessory equipment not recommended by the manufacturer may cause an unsafe condition.
- Do not use this equipment for other than its intended use.
- Before wiring to power supply, turn off electricity at fuse or circuit breaker.
- Consult local building code for approved wiring and installation.
- Installation and servicing should be performed by qualified personnel.

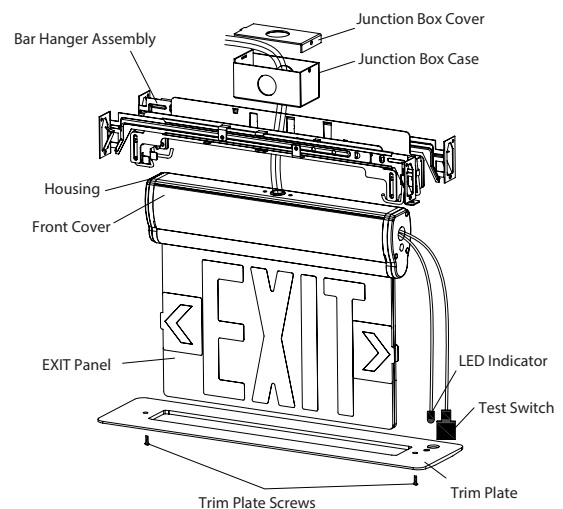
INSTALLATION INSTRUCTIONS

- Installation Instructions
- Turn off AC power.
- Remove the **Front Cover** from the housing by gently prying it open with a flat head screw driver.



RECESSED CEILING MOUNTING_(ELXNYC/ELSNYC-MP)

1. Refer to assembly drawing before starting Installation.



INSTRUCTIONS

ELX EMERGENCY LIGHTING INSTALLATION



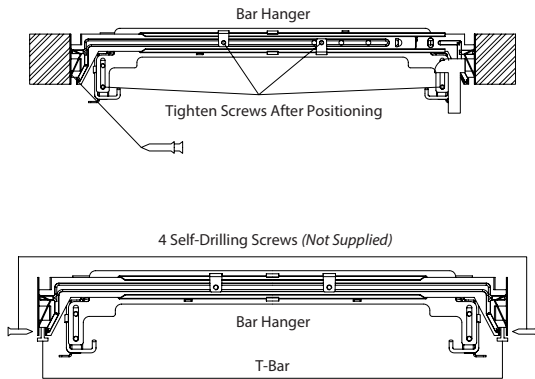
RAB Lighting is committed to creating high-quality, affordable, well-designed and energy-efficient LED lighting and controls that make it easy for electricians to install and end users to save energy. We'd love to hear your comments. Please call the Marketing Department at 888-RAB-1000 or email: marketing@rablighting.com

**** DON'T TOSS IT—RECYCLE IT! MAKE THE SUSTAINABLE CHOICE BY RECYCLING THIS FIXTURE AT END OF LIFE WITH A LICENSED RECYCLING PROVIDER. ****

RECESSED CEILING MOUNTING_(ELXNYC/ELXNYC-MP)

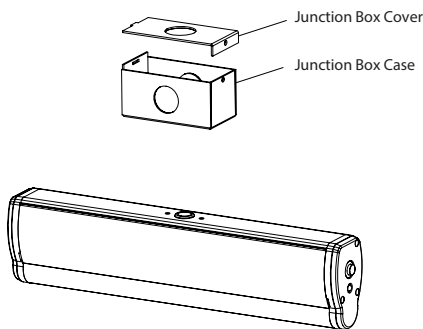
2. Install the **Bar Hanger** assembly as shown.

Note: When mounting onto a **T-Bar** the **Bar Hanger** must be screwed into the **T-Bar** with **4 Self-Drilling (Not Supplied)** as shown.



3. Adjust height of bracket vertically using adjusting slots and tighten all screws on adjusting slots and **Bar Hanger** bracket to secure **Bar Hanger** bracket and **Bar Hanger**.

4. Remove **Junction Box** cover and mount **Junction Box Case** onto the housing using the provided Screws.



5. Feed AC supply wires out of the housing into the **Junction Box Case**.

6. Connect the battery connectors together (*Self-power models only*).

7. Reinstall the front cover.

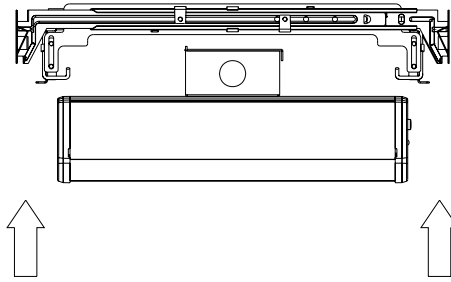
8. Feed AC supply wires into the **Junction Box**.

9. Make electrical connections (*see electrical connections*).

10. Reattach the **Junction Box Cover** to the **Junction Box Case**.

11. Snap the housing assembly into the **Bar Hanger** assembly.

RECESSED CEILING MOUNTING_(ELXNYC/ELXNYC-MP)



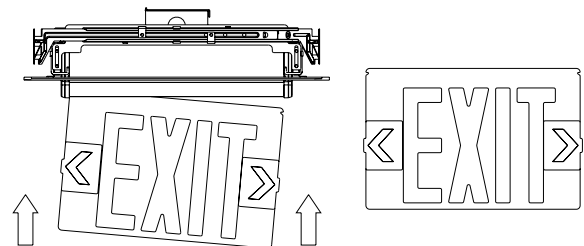
12. If applicable, connect the test switch connector and insert the **LED Indicator** into the **Trim Plate** (*Self-power model only*).

13. Secure the **Trim Plate** to the **Bar Hanger** assembly by using the provided screws with screws.

14. Choose the appropriate **EXIT Panel** and gently insert it into the housing assembly.

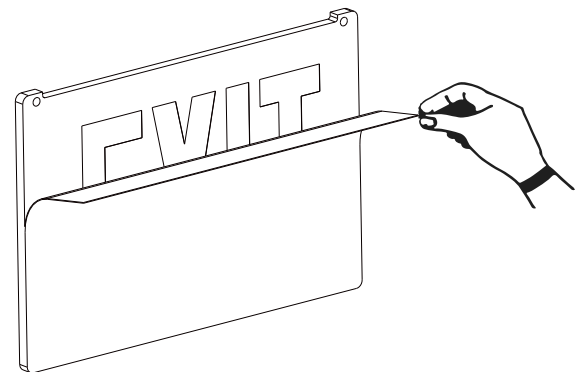
15. If a chevron is needed leave the chevron on and remove only the film instruction. If no chevron is needed, remove the chevron and the film instruction together.

16. This unit can be mounted on any flat surface. The **Exit Panel** can be rotated to any angle range from 0° to 180°.



DETERMINE FACE PLATE

- If single sided is needed, keep silver mylar background panel.
- If double sided is needed, remove silver mylar background panel.
- For clear panel, only single sided is available, no extra action is needed.



Easy Answers

© 2025 RAB LIGHTING Inc.
Cranbury, New Jersey 08512 USA

rablighting.com
Visit our website for product info

Tech Help Line
Call our experts: 888 722-1000

e-mail
Answered promptly - sales@rablighting.com

Free Lighting Layouts
Answered online or by request

ELXLIGHT-IN-0525
P-101853

RAB WARRANTY: RAB's warranty is subject to all terms and conditions found at rablighting.com/warranty.