

INSTALLATION INSTRUCTIONS

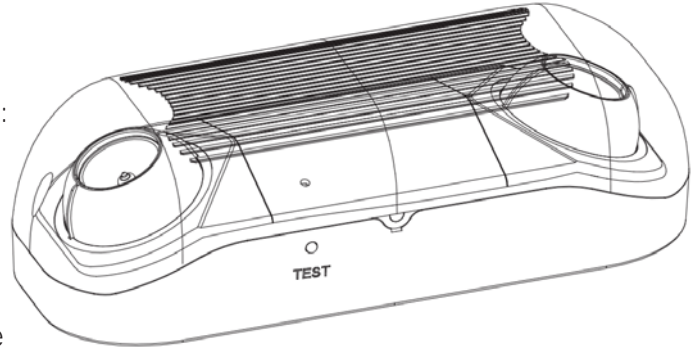
WET LOCATION EMERGENCY LIGHTING FIXTURE 'MR-16' TYPE LAMP HEADS

READ AND FOLLOW ALL SAFETY INSTRUCTIONS

CAUTION: The battery in this unit may not be fully charged. After electricity is connected to unit, let battery charge for at least 24 hours, then normal operation of this unit should take effect. To check, press the TEST button. The lamps on the unit should turn on.

IMPORTANT SAFEGUARDS: When using electrical equipment, basic safety precautions should always be followed, including the following:

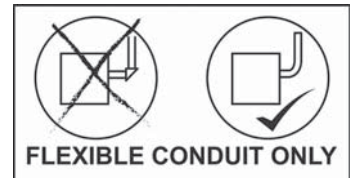
1. Consult local building code for approved wiring and installation.
2. Disconnect AC power before servicing and installation.
3. Do not mount near gas or electric heaters.
4. Do not use this equipment for anything other than its intended use.
5. The use of accessory equipment not recommended by the manufacturer will void product listing and warranty and may cause
6. Any service on this equipment should be performed by qualified personnel only.
7. Equipment should be mounted in locations and at heights where it will not be subject to tampering by unauthorized personnel.
8. Use caution when servicing batteries.
9. Cap unused wires with enclosed wire nuts or other approved method.
10. Make sure wire terminations are secure and leads are properly tucked in appropriate wire channels.



NOTE: The maximum mounting height for this model is 8 feet.

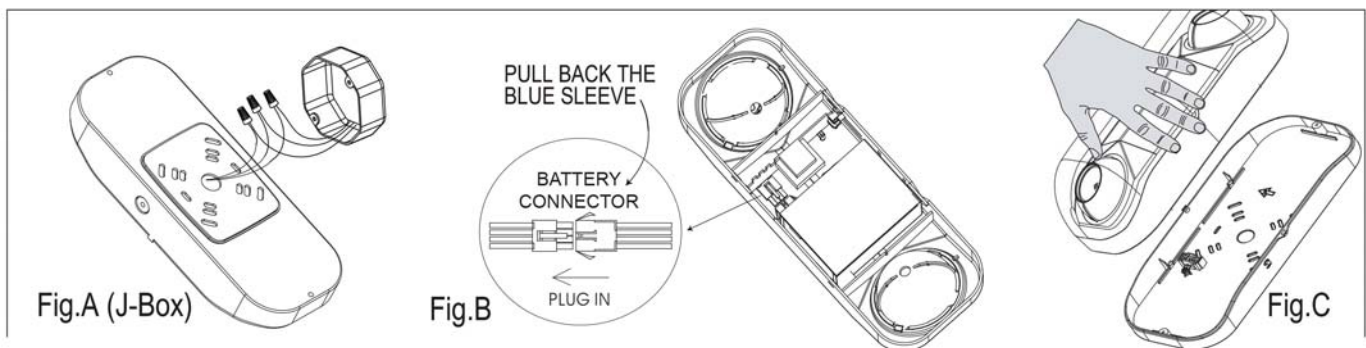
INSTALLATION (J-BOX MOUNTING):

1. Feed fixture leads through back plate and connect AC power supply (Fig. A).
2. Connect wires through J-Box. Mount back plate on J-Box and secure with screws.
3. Connect battery only after continuous AC power can be provided to the unit (Fig. B).
4. Align snaps and push housing directly onto main bottom case (Fig. C). Apply continuous AC power. For 120V supply connect line wire to Black lead; for 277V supply connect line wire to Red lead. Connect neutral wire to White lead. Press "TEST" button to check for proper operation of the unit.



INSTALLATION (CONDUIT):

1. Secure back plate to wall surface. Route wires through hole in conduit flange and make conduit connection.
2. Connect battery only after continuous AC power can be provided to the unit (Fig. B).
3. Align snaps and push housing directly onto back plate (Fig. C). For 120V supply connect line wire to Black lead; for 277V supply connect line wire to Red lead. Connect neutral wire to White lead. Press "TEST" button to check for proper operation of the unit.



SAVE THESE INSTRUCTIONS!

INSTALLATION INSTRUCTIONS

WET LOCATION EMERGENCY LIGHTING FIXTURE 'MR-16' TYPE LAMP HEADS (cont.)

TROUBLE - SHOOTING:

Condition - The emergency lights do not operate

1. If the charge indicator light is off: Check that the circuit breaker for AC supply is ON.
2. If the charge indicator light is ON: Check that battery is properly connected. If problem persists, Replace battery.

If the local lamps don't turn ON after disconnecting the remote circuit wires, then replace battery.

Condition - Emergency lights are dim

1. Battery not fully charged. Allow battery to recharge for 24 hours and then retest. If lights are still dim, replace battery.

OPERATION:

1. Apply AC power to the unit. The LED Indicator should turn RED.
2. After the battery has been left to charge for 2 hours, test the unit by pushing the switch. The LED indicator turns OFF and the lamps on the unit turn ON.
3. When the switch is released, the lamps turn OFF and the LED indicator turns back to RED.

TESTING:

National Electric Code (NEC) and NFPA life safety code regulations require that routine tests need to be performed as listed below: Once every month, the unit needs to be tested for duration of 30 seconds. Push in and hold the test switch to perform this test. Once every 12 months, a full 90 minute (per UL requirements) test needs to be performed on the unit. Disconnect power to the unit and leave it in the emergency mode. The lamps should stay ON for at least 90 minutes.

MAINTENANCE:

Caution: Always turn off AC power to the equipment before servicing. Servicing should be performed only by a qualified service technician. Use only MANUFACTURER supplied replacement parts.

1. BATTERY: The battery supplied in this equipment requires no maintenance. However, it should be tested periodically (see TESTING) and replaced when it no longer operates the connected fixtures for the duration of a 30-second or 90-minute test. The battery supplied in this equipment has a life expectancy of 5-7 years when used in a normal ambient temperature of 72°F.
2. OTHER: Clean lenses and replace lamps, as and when required.

WIRING DIAGRAMS:

