

INSTRUCTIONS

REMOTE HEAD INSTALLATION

RAB[®]

RAB Lighting is committed to creating high-quality, affordable, well-designed and energy-efficient LED lighting and controls that make it easy for electricians to install and end users to save energy. We'd love to hear your comments. Please call the Marketing Department at 888-RAB-1000 or email: marketing@rablighting.com

**** DON'T TOSS IT—RECYCLE IT! MAKE THE SUSTAINABLE CHOICE BY RECYCLING THIS FIXTURE AT END OF LIFE WITH A LICENSED RECYCLING PROVIDER. ****



EREMOTE



EREMOTE-1



EREMOTE-B



EREMOTE-1B

IMPORTANT SAFETY WARNINGS

READ AND FOLLOW THESE WARNINGS AND INSTRUCTIONS CAREFULLY BEFORE INSTALLATION OR MAINTENANCE. Retain these instructions for future reference.

- All service must be performed by qualified service personnel and in accordance with applicable installation codes.
- Disconnect AC power and unplug the battery before servicing.
- Do not let the power supply cord touch hot surfaces.
- Do not mount near gas or electric heaters.
- Mount equipment in locations and at heights where it is not readily subjected to tampering by unauthorized personnel.
- Use only accessory equipment recommended by the manufacturer; using other accessories may create an unsafe condition.
- Do not use this equipment for purposes other than its intended use.
- The voltage rating of this equipment is specified on the label attached to the leads. Do not connect to any other voltage.
- Make wire connections using the leads on the remote head. Leads are polarity-marked: Yellow = Positive (+), Blue = Negative (-).
- Ensure the voltage rating of the head matches the DC output voltage of the unit it's being connected to. Incorrect voltage may cause inoperability or failure.
- RAB fixtures must be wired in accordance with the National Electrical Code (NEC) and all applicable local codes.
- Proper grounding is required for safety.
- Do not make or alter any open holes in enclosures of wiring or electrical components during installation.
- **WARNING:** To prevent wiring damage or abrasion, do not expose wiring to sheet-metal edges or other sharp objects.

What's in the Box

- Remote head assembly (*model-specific*)
- Canopy or mounting base (*indoor head*)
- Adapter plate (*if required by junction box*)
- Mounting screws (*for junction box*)
- Documentation

Note: Hardware contents may vary by model; verify package contents before installation.

Tools Needed

- Screwdriver (*Phillips or flathead, per hardware*)
- Voltage tester (*recommended*)

INSTRUCTIONS

REMOTE HEAD INSTALLATION

RAB®

RAB Lighting is committed to creating high-quality, affordable, well-designed and energy-efficient LED lighting and controls that make it easy for electricians to install and end users to save energy. We'd love to hear your comments. Please call the Marketing Department at 888-RAB-1000 or email: marketing@rablighting.com

**** DON'T TOSS IT—RECYCLE IT! MAKE THE SUSTAINABLE CHOICE BY RECYCLING THIS FIXTURE AT END OF LIFE WITH A LICENSED RECYCLING PROVIDER. ****

INSTALLATION (INDOOR HEADS)

- 1. Prepare the Junction Box**
Ensure power is turned OFF at the source to the junction box.
Verify power is off using a voltage tester.
- 2. Mount the Canopy or Base**
Attach the canopy or mounting base to the junction box using the mounting screws.
Use the adapter plate if required to match hole spacing or box style.
See Figure 1 (*Canopy, Adapter Plate*).
- 3. Aim the Head**
Rotate the head sideways to achieve desired direction.
Tilt the head up or down to focus the beam.
Typical adjustment ranges: up to approximately 320° rotation and 100° tilt.
See Figures 2–4 (*Rotation/Tilt*).
- 4. Make Electrical Connections (*Polarity Sensitive*)**
Identify the remote-capable emergency unit/combo DC output leads.
Connect the remote head leads as follows:
 - o Yellow (+) from head to Positive (+) DC output of the remote-capable unit
 - o Blue (–) from head to Negative (–) DC output of the remote-capable unitEnsure the DC output voltage of the unit matches the remote head rating (*commonly within 3.6–15 VDC; verify model label*).
Make secure, insulated connections. Observe polarity at all times.
- 5. Finalize and Test**
Confirm all connections are secure and no bare conductor is exposed.
Restore power.
Test operation per the emergency unit's instructions to ensure the remote head illuminates in emergency mode and/or per test switch operation.

FIG 1

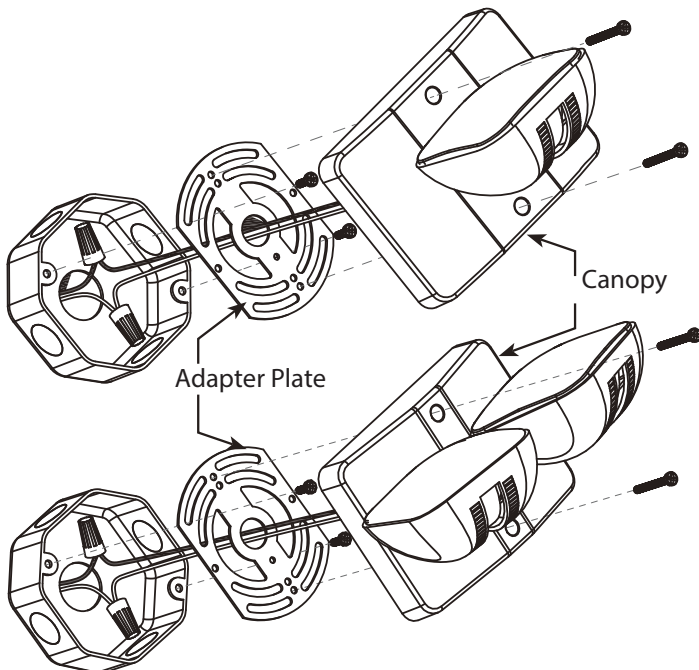


FIG 2

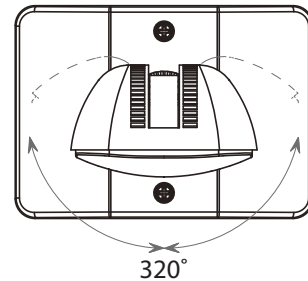


FIG 3

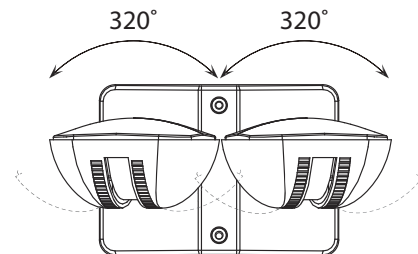
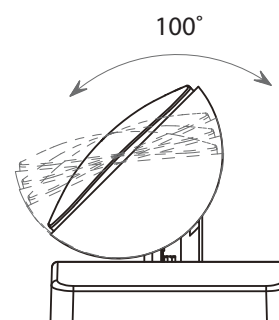


FIG 4



INSTRUCTIONS

REMOTE HEAD INSTALLATION



RAB Lighting is committed to creating high-quality, affordable, well-designed and energy-efficient LED lighting and controls that make it easy for electricians to install and end users to save energy. We'd love to hear your comments. Please call the Marketing Department at 888-RAB-1000 or email: marketing@rablighting.com

**** DON'T TOSS IT—RECYCLE IT! MAKE THE SUSTAINABLE CHOICE BY RECYCLING THIS FIXTURE AT END OF LIFE WITH A LICENSED RECYCLING PROVIDER. ****

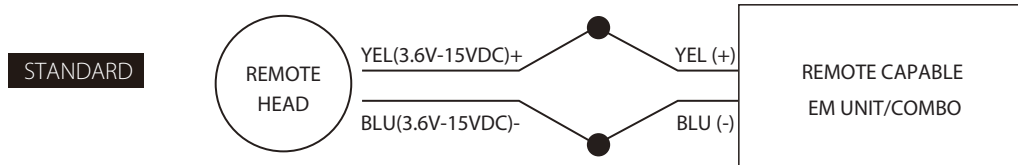
WIRING DIAGRAM (*Description*)

Standard remote head wiring using two conductors from a remote-capable emergency unit/combo:

- o YEL (+) 3.6–15 VDC positive
- o BLU (–) 3.6–15 VDC negative

Connect YEL to the unit's positive remote output; BLU to the unit's negative remote output.

Maintain polarity throughout the run. Use appropriately rated conductors and follow the code.



NOTES AND BEST PRACTICES

Location: Install at a height and position providing required egress illumination and minimizing tampering.

Environment: Do not install near heat sources or where ambient temperatures exceed product ratings.

Cable protection: Route and secure conductors to avoid abrasion and sharp edges.

Verification: Always cross-check the head's voltage label with the emergency unit's remote output prior to energizing.

Service: Only qualified personnel should service this equipment.

FIGURES

Figure 1: Canopy and Adapter Plate to Junction Box

Figure 2: Sideways Rotation – Single Head

Figure 3: Sideways Rotation – Double Head

Figure 4: Tilt Up/Down (*approx. 100°*)

(*Insert your original figures where indicated.*)

TECHNICAL INFORMATION

Models: EREMOTE, EREMOTE-1, EREMOTE-B, EREMOTE-1B

Operating Temperature: 0 to 40 C

Input Voltage: 3.6–15 VDC (verify exact rating on model label)

Polarity: Yellow = Positive (+), Blue = Negative (–)

Adjustment: Approx. 320° rotation; 100° tilt

Mounting: Indoor canopy/base to standard junction box

ENVIRONMENTAL RESPONSIBILITY

DON'T TOSS IT – RECYCLE IT!

Make the sustainable choice by recycling this fixture at end of life with a licensed recycling provider. LED fixtures contain valuable materials that can be recovered and reused.

CUSTOMER SUPPORT

RAB Lighting is committed to creating high-quality, affordable, well-designed, and energy-efficient LED lighting and controls that make it easy for electricians to install and end users to save energy.



Easy Answers

rablighting.com
Visit our website for product info

Tech Help Line
Call our experts: 888 722-1000

e-mail
Answered promptly - sales@rablighting.com

Free Lighting Layouts
Answered online or by request

EMLIGHT-IN-0525
P-101851

RAB WARRANTY: RAB's warranty is subject to all terms and conditions found at rablighting.com/warranty.