

INSTRUCTIONS

EMERGENCY EXIT SIGN/COMBO INSTALLATION

RAB®

RAB Lighting is committed to creating high-quality, affordable, well-designed and energy-efficient LED lighting and controls that make it easy for electricians to install and end users to save energy. We'd love to hear your comments. Please call the Marketing Department at 888-RAB-1000 or email: marketing@rablighting.com

** DON'T TOSS IT—RECYCLE IT! MAKE THE SUSTAINABLE CHOICE BY RECYCLING THIS FIXTURE AT END OF LIFE WITH A LICENSED RECYCLING PROVIDER. **



EXITEDGE-1/E



EXITEDGE-1G/E



EXITEDGE-1W/E



EXIT34-RG/E-B



EXITEDGE-MP/E



EXITEDGE-GMP/E



EXITEDGE-MPW/E



EXITEDGE-GMPW/E



EXITEDGE-WP/E



EXITEDGE-WPW/E

IMPORTANT

READ CAREFULLY BEFORE INSTALLING FIXTURE. RETAIN THESE INSTRUCTIONS FOR FUTURE REFERENCE.

RAB fixtures must be wired in accordance with the National Electrical Code and all applicable local codes. Proper grounding is required for safety. THIS PRODUCT MUST BE INSTALLED IN ACCORDANCE WITH THE APPLICABLE INSTALLATION CODE BY A PERSON FAMILIAR WITH THE CONSTRUCTION AND OPERATION OF THE PRODUCT AND THE HAZARDS INVOLVED.

- When re-lamping, only use lamps specified in the exit sign. Using other lamp types may result in damage to the unit or unsafe conditions.
- Battery in this unit may not be fully charged. After electricity is hooked up to unit, let the battery charge for at least 24 hours. Normal operation of this unit should then take effect.

IMPORTANT SAFEGUARDS:

When using electrical equipment, basic safety precautions should always be followed including the following:

READ AND FOLLOW ALL SAFETY INSTRUCTIONS

- Do not use outdoors.
- Do not mount near gas or electric heaters.
- Equipment should be mounted in locations and at heights where it will not be subjected to tampering by unauthorized personnel.
- The use of accessory equipment not recommended by the manufacturer may cause an unsafe condition.
- Do not use this equipment for other than its intended use.
- Before wiring to power supply, turn off electricity at fuse or circuit breaker.
- Consult local building code for approved wiring and installation.
- Installation and servicing should be performed by qualified personnel.

INSTALLATION INSTRUCTIONS

Choose mounting configuration (*end, top or back mount*). Plug remaining holes with the appropriate color plugs.

1. Secure canopy bracket to ceiling or wall.
2. Open the housing cover.
3. Secure housing and canopy with screws (see mounting configuration).
4. Feed the AC input leads (*red, black, white*) through the housing and canopy's center hole. Connect AC input leads to AC power supply leads. Connect the red lead to a 277VAC power supply or the black lead to a 120VAC power supply and the white lead to neutral.
5. Secure canopy into canopy bracket with 1-1/2" long #8-32 screws, then insert battery terminal wire into two-pin male connector.
6. Connect battery only after continuous AC power can be provided to the unit.
7. Snap housing cover into place.
8. Apply chevron directional indicators as required. Remove application templates when finished.

INSTRUCTIONS

EMERGENCY EXIT SIGN/COMBO INSTALLATION

RAB[®]

RAB Lighting is committed to creating high-quality, affordable, well-designed and energy-efficient LED lighting and controls that make it easy for electricians to install and end users to save energy. We'd love to hear your comments. Please call the Marketing Department at 888-RAB-1000 or email: marketing@rablighting.com

**** DON'T TOSS IT—RECYCLE IT! MAKE THE SUSTAINABLE CHOICE BY RECYCLING THIS FIXTURE AT END OF LIFE WITH A LICENSED RECYCLING PROVIDER. ****

END MOUNT INSTALLATION

1. Secure canopy to end plate of fixture using mounting holes C and E with (2) 3/4" #10-24 screws (included).
2. Run connection wires through large hole between mounting holes C and D.
3. Make electrical connections and mount canopy to junction box (or spider plate if required) using the two recessed mounting holes and (2) 1-1/2" #8-32 screws (included).



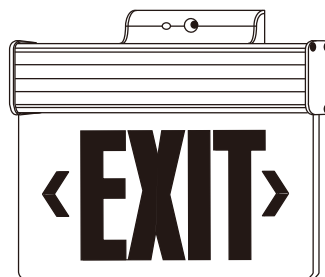
TOP MOUNT INSTALLATION

1. Secure canopy to top of fixture using mounting hole A with 3/4" #8-32 screw and hex nut, and 1/2" center hole (between mounting holes B and C) with threaded nipple and hex nuts (included).
2. Run connection wires through threaded nipple.
3. Make electrical connections and mount canopy to junction box (or spider plate if required) using the two recessed mounting holes and (2) 1-1/2" #8-32 screws (included).



BACK MOUNT INSTALLATION

1. Mount canopy to junction box (or spider plate if required) using the two recessed mounting holes and (2) 1-1/2" #8-32 screws.
2. Run connection wires through large hole in center of canopy.
3. Secure fixture to canopy with (2) 3/4" #10-24 screws (included) by going directly into mounting holes A and C.
4. Make electrical connections.



INSTRUCTIONS

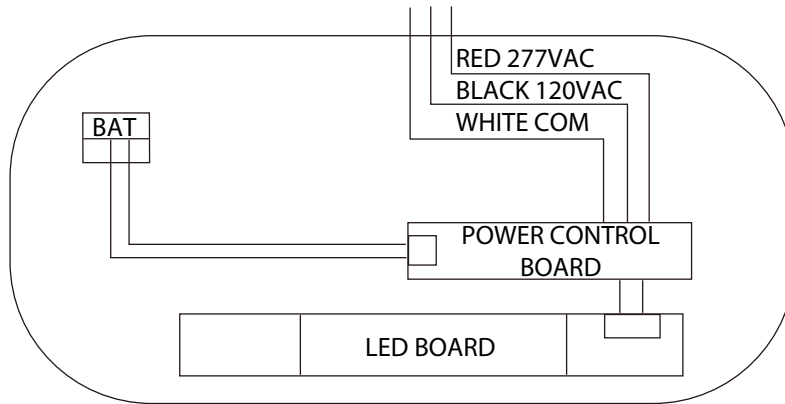
EMERGENCY EXIT SIGN/COMBO INSTALLATION



RAB Lighting is committed to creating high-quality, affordable, well-designed and energy-efficient LED lighting and controls that make it easy for electricians to install and end users to save energy. We'd love to hear your comments. Please call the Marketing Department at 888-RAB-1000 or email: marketing@rablighting.com

**** DON'T TOSS IT—RECYCLE IT! MAKE THE SUSTAINABLE CHOICE BY RECYCLING THIS FIXTURE AT END OF LIFE WITH A LICENSED RECYCLING PROVIDER. ****

WIRING DIAGRAMS



MAINTENANCE

Caution: Always turn off AC power to the equipment before servicing. Servicing should be performed only by a qualified service technician. Use only MANUFACTURER supplied replacement parts.

BATTERY: The battery supplied with the Battery Backup model requires no maintenance. However, it should be tested periodically and replaced when it no longer operates the connected fixtures for the duration of a 30-second or 90-minute test. The battery supplied in this equipment has a life expectancy of 5 years when used in a normal ambient temperature of 72°F.

TESTING

National Electric Code (*NEC*) and NFPA life safety code regulations require that routine tests need to be performed as listed below. Once every month, the unit needs to be tested for duration of 30 seconds. Push in hold the test switch to perform this test. Once every 12 months, a full 90 minute (*per UL requirements*) test needs to be performed on the unit. Disconnect power to the unit and leave it in the emergency mode. The LEDs should stay ON for at least 90 minutes.



© 2026 RAB LIGHTING Inc.
Cranbury, New Jersey 08512 USA

Easy Answers

rablighting.com
Visit our website for product info

Tech Help Line
Call our experts: 888 722-1000

e-mail
Answered promptly - sales@rablighting.com

Free Lighting Layouts
Answered online or by request

EXIT-IN-0126
P-102319

RAB WARRANTY: RAB's warranty is subject to all terms and conditions found at rablighting.com/warranty.