

INSTRUCTIONS

EMERGENCY EXIT SIGN/COMBO INSTALLATION

RAB®

RAB Lighting is committed to creating high-quality, affordable, well-designed and energy-efficient LED lighting and controls that make it easy for electricians to install and end users to save energy. We'd love to hear your comments. Please call the Marketing Department at 888-RAB-1000 or email: marketing@rablighting.com

** DON'T TOSS IT—RECYCLE IT! MAKE THE SUSTAINABLE CHOICE BY RECYCLING THIS FIXTURE AT END OF LIFE WITH A LICENSED RECYCLING PROVIDER. **



EXITOUT



EXITOUT-G



ECOMBOOUT

IMPORTANT

READ CAREFULLY BEFORE INSTALLING FIXTURE. RETAIN THESE INSTRUCTIONS FOR FUTURE REFERENCE.

RAB fixtures must be wired in accordance with the National Electrical Code and all applicable local codes. Proper grounding is required for safety. THIS PRODUCT MUST BE INSTALLED IN ACCORDANCE WITH THE APPLICABLE INSTALLATION CODE BY A PERSON FAMILIAR WITH THE CONSTRUCTION AND OPERATION OF THE PRODUCT AND THE HAZARDS INVOLVED.

- When re-lamping, only use lamps specified in the exit sign. Using other lamp types may result in damage to the unit or unsafe conditions.
- Battery in this unit may not be fully charged. After electricity is hooked up to unit, let the battery charge for at least 24 hours. Normal operation of this unit should then take effect.

IMPORTANT SAFEGUARDS:

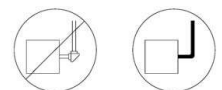
When using electrical equipment, basic safety precautions should always be followed including the following:

READ AND FOLLOW ALL SAFETY INSTRUCTIONS

- Do not mount near gas or electric heaters.
- Equipment should be mounted in locations and at heights where it will not be subjected to tampering by unauthorized personnel.
- The use of accessory equipment not recommended by the manufacturer may cause an unsafe condition.
- Do not use this equipment for other than its intended use.
- Before wiring to power supply, turn off electricity at fuse or circuit breaker.
- Consult local building code for approved wiring and installation.
- Installation and servicing should be performed by qualified personnel.

CONDUIT ENTRY

1. Drill a 3/4" through the desired conduit entry knock out located on the top or side of the frame of the sign.
2. Route the AC input conduit into housing.
3. All conduit connections must use UL LISTED and SUITABLE FOR WET LOCATION parts.



FLEXIBLE CONDUIT ONLY!

BACK MOUNT INSTALLATION

1. Use flat head screwdriver to loosen the screws on the lens.
2. Remove lens from sign, set aside.
3. Remove EXIT faceplate from housing, set aside. The second EXIT faceplate will not be used.
4. Drill or knock out appropriate punchouts on back plate to fit junction box mounting points.
5. Drill or knock out center hole in back plate for EXIT sign input wires.
6. Remove backing from self adhesive junction box gasket (*Canopy Foam*) and adhere to back plate exterior.
7. Route EXIT sign input wires through center hole of the back plate and make wiring connection. For 120V, use black and white wires and for 277V, use red and white wires. **WARNING:** Properly insulate the unused lead with a wire nut (*provided*) or other approved means.
8. Push wire connections into the junction box. Secure mounting plate to junction box (*hardware not included*). Secure back plate to **mounting plate**.
9. Connect battery to LED board
10. Remove chevron(s) as required. When removing chevrons it may be helpful to remove the color diffuser panel to allow easier access to the chevrons. If removing color diffuser panel it is important to remember to reinstall the diffuser panel once chevron(s) have been removed.
11. Secure EXIT faceplate to the housing
12. Secure lens to faceplate and securely tighten screws.
13. Apply continuous AC power and press "TEST" button to check operation.

INSTRUCTIONS

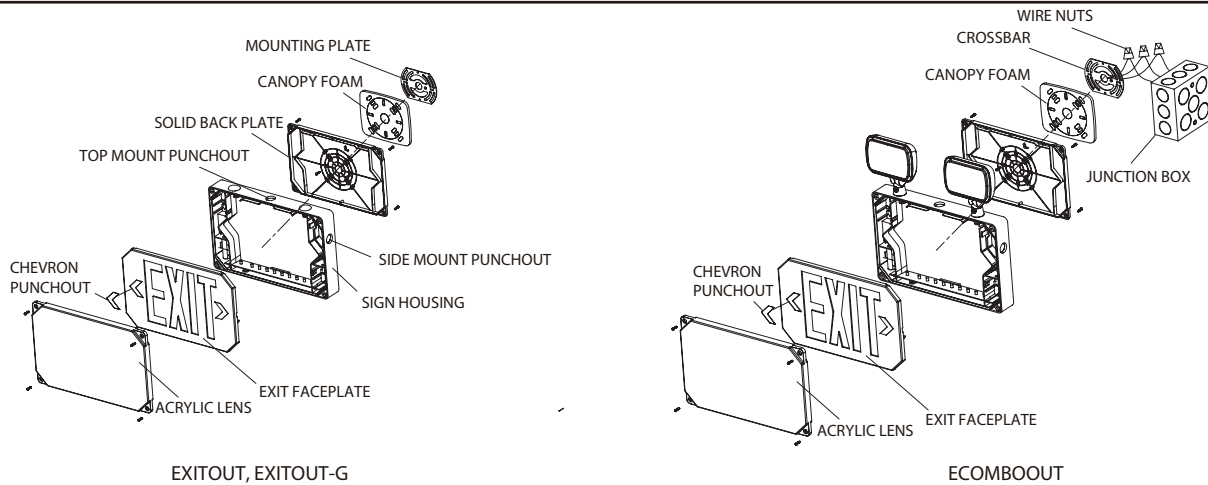
EMERGENCY EXIT SIGN/COMBO INSTALLATION



RAB Lighting is committed to creating high-quality, affordable, well-designed and energy-efficient LED lighting and controls that make it easy for electricians to install and end users to save energy. We'd love to hear your comments. Please call the Marketing Department at 888-RAB-1000 or email: marketing@rablighting.com

**** DON'T TOSS IT—RECYCLE IT! MAKE THE SUSTAINABLE CHOICE BY RECYCLING THIS FIXTURE AT END OF LIFE WITH A LICENSED RECYCLING PROVIDER. ****

BACK MOUNT INSTALLATION

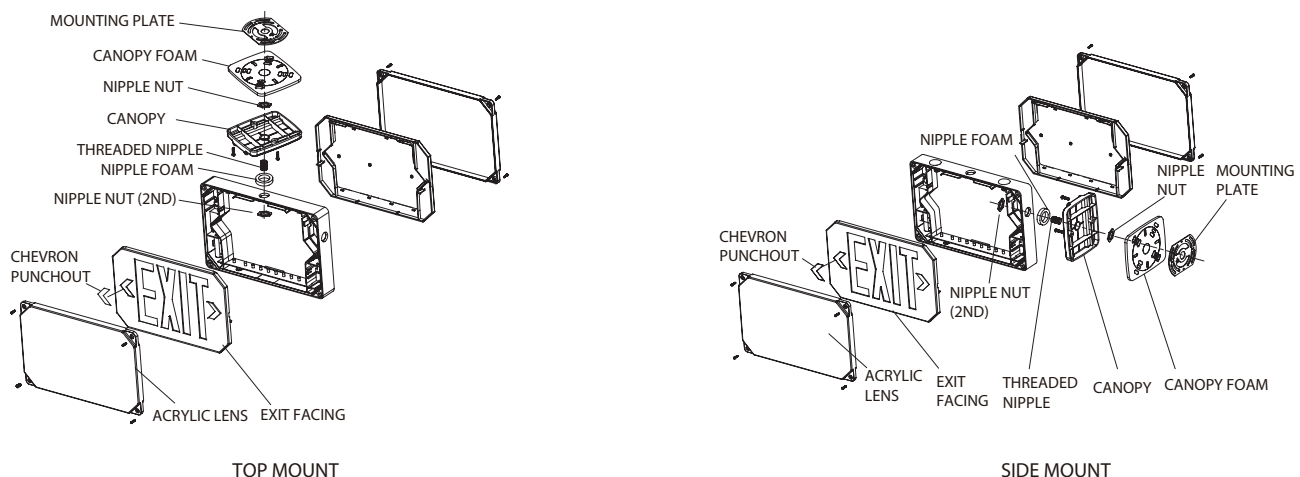


EXITOUT, EXITOUT-G

ECOMBOOUT

TOP OR SIDE MOUNT INSTALLATION (EXITOUT, EXITOUT-G)

1. Use flat head screwdriver to loosen the screws on the lens.
2. Remove lens from sign, set aside.
3. Remove EXIT faceplate from housing, set aside. Drill a 3/4" hole through the desired mounting punchout located on the sign housing. For top mount, punchout will be located on the top of the housing. For side mount, punchout will be located on the side of the housing.
4. Using provided hardware, thread nut onto threaded nipple. Slide threaded nipple through canopy center hole.
5. Remove backing from self adhesive junction box gasket (*Canopy Foam*) and adhere to back of mounting canopy. Remove backing from self adhesive pipe thread gasket (*Nipple Foam*) and adhere to front of mounting canopy.
6. Place screws (*provided*) in holes on the canopy.
7. Route EXIT sign input wires through punchout in EXIT frame, threaded nipple and metal mounting plate.
8. Make wiring connection. For 120V, use black and white a wire and for 277V, use red and white wires. WARNING: Properly insulate the unused lead with a wire nut (*provided*) or other approved means.
9. Push wire connections into the junction box. Secure mounting plate to junction box (*hardware not included*).
10. Secure the canopy to the steel mounting plate with screws installed in step 6.
11. Place threaded nipple through the mounting hole of the housing to lock the canopy into place using second nipple nut. Once Canopy is locked into position there will not be any side-to-side movement of the canopy.
12. Connect battery to LED board.
13. Remove chevron(s) as required. When removing chevrons it may be helpful to remove the color diffuser panel to allow easier access to the chevrons. If removing color diffuser panel it is important to remember to reinstall the diffuser panel once chevron(s) have been removed.
14. Secure EXIT faceplate(s) to the housing. For double sided configuration, remove solid back plate and replace with second EXIT faceplate.
15. Secure lens to faceplate and securely tighten screws. For double sided configuration, secure second lens to second faceplate, as well.
16. Apply continuous AC power and press "TEST" button to check operation.



TOP MOUNT

SIDE MOUNT

INSTRUCTIONS

EMERGENCY EXIT SIGN/COMBO INSTALLATION

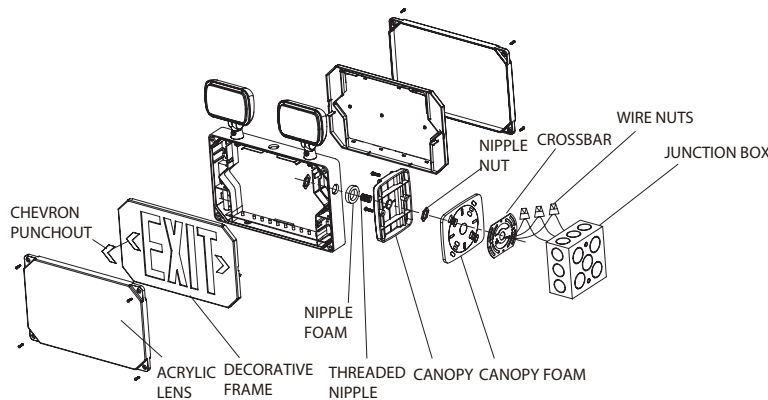


RAB Lighting is committed to creating high-quality, affordable, well-designed and energy-efficient LED lighting and controls that make it easy for electricians to install and end users to save energy. We'd love to hear your comments. Please call the Marketing Department at 888-RAB-1000 or email: marketing@rablighting.com

**** DON'T TOSS IT—RECYCLE IT! MAKE THE SUSTAINABLE CHOICE BY RECYCLING THIS FIXTURE AT END OF LIFE WITH A LICENSED RECYCLING PROVIDER. ****

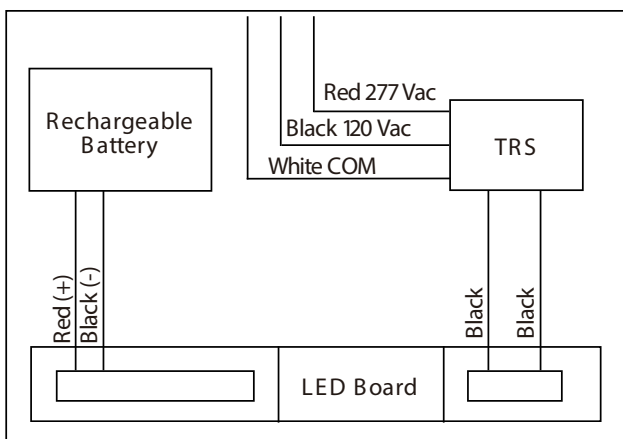
SIDE MOUNT MOUNT INSTALLATION(ECOMBOOUT)

1. Use flat head screwdriver to loosen the screws on the lens.
2. Remove lens from sign, set aside.
3. Remove EXIT faceplate from housing, set aside. Drill a 3/4" hole through the desired mounting punchout located on the sign housing. Punchout will be located on the side of the housing.
4. Using provided hardware, thread nut onto threaded nipple. Slide threaded nipple through canopy center hole.
5. Remove backing from self adhesive junction box gasket (**Canopy Foam**) and adhere to back of mounting canopy. Remove backing from self adhesive pipe thread gasket (**Nipple Foam**) and adhere to front of mounting canopy.
6. Place screws (*provided*) in holes on the canopy.
7. Route EXIT sign input wires through punchout in EXIT frame, threaded **nipple and metal mounting plate**.
8. Make wiring connection. For 120V, use black and white a wire and for 277V, use red and white wires. WARNING: Properly insulate the unused lead with a wire nut (*provided*) or other approved means.
9. Push wire connections into the **junction box**. Secure mounting plate to **junction box** (*hardware not included*).
10. Secure the canopy to the steel **mounting plate** with screws installed in step 6.
11. Place threaded nipple through the mounting hole of the housing to lock the canopy into place using second nipple nut. Once Canopy is locked into position there will not be any side-to-side movement of the canopy.
12. Connect battery to LED board.
13. Remove chevron(s) as required. When removing chevrons it may be helpful to remove the color diffuser panel to allow easier access to the chevrons. If removing color diffuser panel it is important to remember to reinstall the diffuser panel once chevron(s) have been removed.
14. Secure EXIT faceplate(s) to the housing. For double sided configuration, remove solid back plate and replace with second EXIT faceplate.
15. Secure lens to faceplate and securely tighten screws. For double sided configuration, secure second lens to second faceplate, as well.
16. Apply continuous AC power and press "TEST" button to check operation.



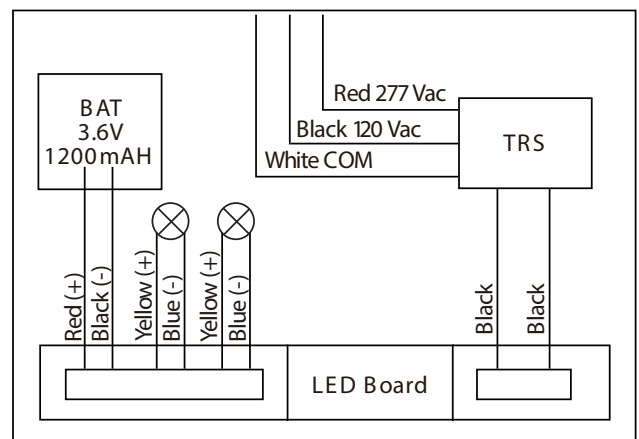
WIRING DIAGRAMS(EXITOUT, EXITOUT-G, ECOMBOOUT)

Exit Battery Wiring Diagram:



EXITOUT, EXITOUT-G

COMBO Wiring Diagram:



ECOMBOOUT

INSTRUCTIONS

EMERGENCY EXIT SIGN/COMBO INSTALLATION



RAB Lighting is committed to creating high-quality, affordable, well-designed and energy-efficient LED lighting and controls that make it easy for electricians to install and end users to save energy. We'd love to hear your comments. Please call the Marketing Department at 888-RAB-1000 or email: marketing@rablighting.com

**** DON'T TOSS IT—RECYCLE IT! MAKE THE SUSTAINABLE CHOICE BY RECYCLING THIS FIXTURE AT END OF LIFE WITH A LICENSED RECYCLING PROVIDER. ****

OPERATION (*Battery Backup*)

1. Apply AC power to the unit. The LED indicator will be RED.
2. After the battery has been left to charge for 24 hours, test the unit by pushing the switch. The LED Indicator turns OFF and the sign will remain illuminated.
3. When the switch is released, the LED indicator turns back to RED and the sign will remain illuminated.

MAINTENANCE

CAUTION: Always turn off AC power to the equipment before servicing. Servicing should be performed only by a qualified service technician. Use only MANUFACTURER supplied replacement parts.

BATTERY: The battery supplied requires no maintenance. However, it should be tested periodically and replaced when it no longer operates the connected sign for the duration of a 30 second or 90 minute test. The battery supplied in this sign has a typical life of 5 years when used in a normal ambient temperature of 72°F.



© 2026 RAB LIGHTING Inc.
Cranbury, New Jersey 08512 USA

Easy Answers

rablighting.com
Visit our website for product info

Tech Help Line
Call our experts: 888 722-1000

e-mail
Answered promptly - sales@rablighting.com

Free Lighting Layouts
Answered online or by request

EXIT-IN-0126
P-102318

RAB WARRANTY: RAB's warranty is subject to all terms and conditions found at rablighting.com/warranty.