

INSTRUCTIONS

Fire-Resistant Wafer Downlight FA

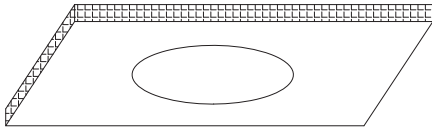


RAB Lighting is committed to creating high-quality, affordable, well-designed and energy-efficient LED lighting and controls that make it easy for electricians to install and end users to save energy. We'd love to hear your comments. Please call the Marketing Department at 888-RAB-1000 or email: marketing@rablighting.com

INSTALLATION INSTRUCTIONS

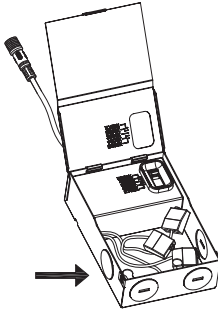
1. Turn power OFF from the electrical panel before installation.
2. Use template inside box to cut hole in ceiling. (Fig.1)

Fig: 1



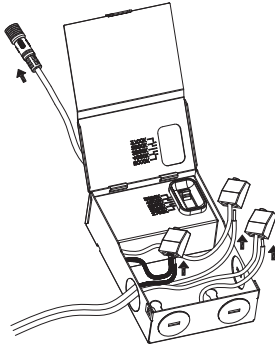
3. Open the driver box and remove the knockout(s). (Fig.2)

Fig: 2



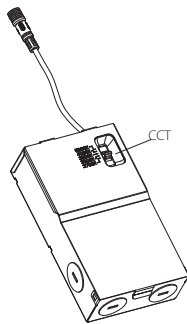
4. Insert the electrical supply cable through the knockout and secure with a terminal. Wire driver box (Fig.3), white-white, black - black, green - green/ground.

Fig: 3



5. Place all wiring and connections back into the box, close the cover and select desired CCT. (Fig.4)

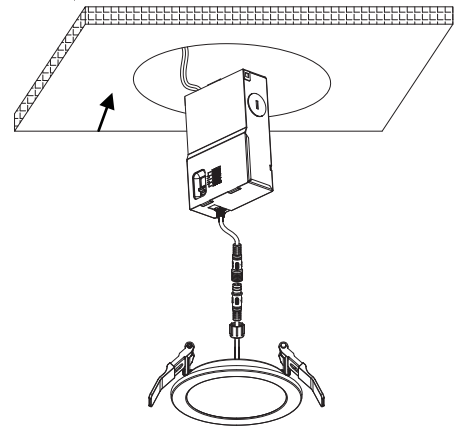
Fig: 4



INSTALLATION INSTRUCTIONS (cont'd)

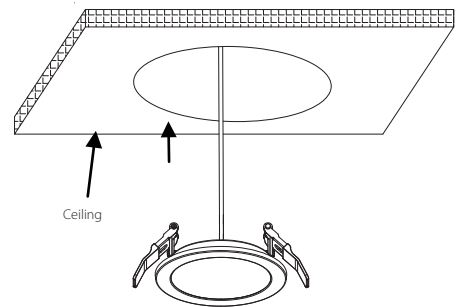
6. Place the driver box into the ceiling and connect the fixture to driver box. (Fig.5)

Fig: 5



7. Lifting both retention tabs upward. Push until the trim sits flush against the ceiling. (Fig.6)

Fig: 6



Note: These instructions do not cover all details or variations in equipment nor do they provide for every possible situation during installation, operation or maintenance.