

INSTRUCTIONS

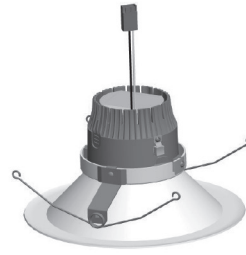
HALITE 4" and 6" INSTALLATION



RAB Lighting is committed to creating high-quality, affordable, well-designed and energy-efficient LED lighting and controls that make it easy for electricians to install and end users to save energy. We'd love to hear your comments. Please call the Marketing Department at 888-RAB-1000 or email: marketing@rablighting.com



HALITE 4"



HALITE 6"

IMPORTANT

READ CAREFULLY BEFORE INSTALLING FIXTURE. RETAIN THESE INSTRUCTIONS FOR FUTURE REFERENCE.

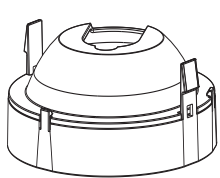
RAB fixtures must be wired in accordance with the National Electrical Code and all applicable local codes. Proper grounding is required for safety. THIS PRODUCT MUST BE INSTALLED IN ACCORDANCE WITH THE APPLICABLE INSTALLATION CODE BY A PERSON FAMILIAR WITH THE CONSTRUCTION AND OPERATION OF THE PRODUCT AND THE HAZARDS INVOLVED.

WARNING: Make certain power is OFF before installing or maintaining fixture. No user serviceable parts inside.

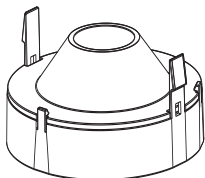
CAUTION: For proper weatherproof function all gaskets must be seated properly and all screws inserted and tightened firmly. Apply weatherproof silicone sealant around the edge of the ceiling mounting box and/or junction box. This is especially important with an uneven ceiling surface. Silicone all plugs and unused conduit entries.

OPTIC ASSEMBLY/REPLACEMENT

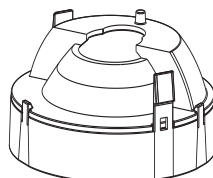
(Standard frosted lens; non-frosted option available for 50° and 80°)



50°
CAT#: HA50 & HA50FR



80°
CAT#: HA80 & HA80FR



Wallwasher
CAT#: HAWW

1. Each LED Module comes with 80° frosted Optic Assembly. 50° or Wallwasher are available to purchase separately. To replace Optics, push **Release Buttons** on both sides to release optic assembly and pull to remove.
2. Take new optic and orient to match **Hooks** with **Release Buttons** on LED Module. Then slide **Optic Assembly** into LED module until it clicks in, as shown in FIG.1
3. For **Wallwasher Optic** assembly, **Peg** must line-up with **Slot** in **Heatsink** as shown in FIG.2

Fig: 1

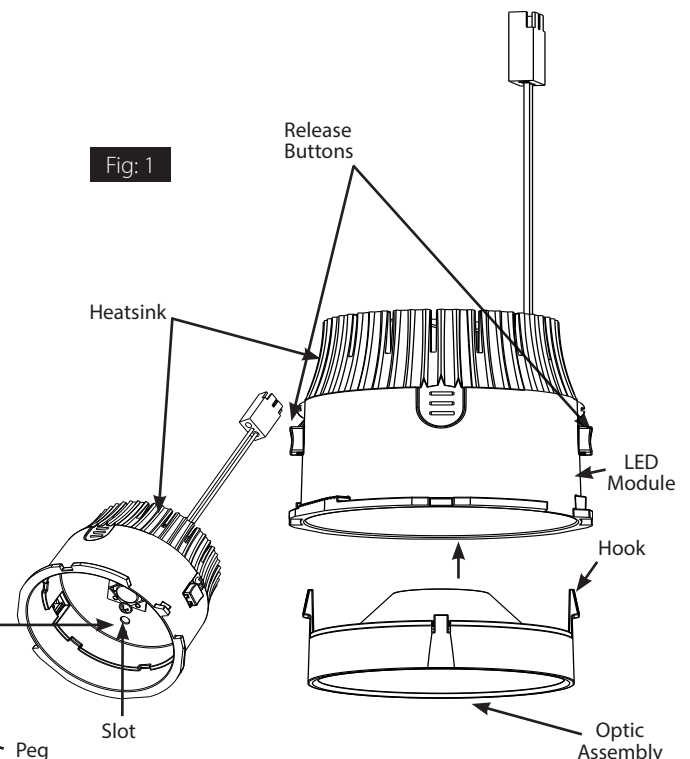
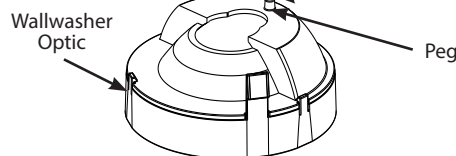


Fig: 2



INSTRUCTIONS

HALITE 4" and 6" INSTALLATION



RAB Lighting is committed to creating high-quality, affordable, well-designed and energy-efficient LED lighting and controls that make it easy for electricians to install and end users to save energy. We'd love to hear your comments. Please call the Marketing Department at 888-RAB-1000 or email: marketing@rablighting.com

AVAILABLE TRIMS:

HALITE TRIMS	ADJUSTABLE	BAFFLE	DOWNLIGHT	WALLWASHER
4"				
6"				

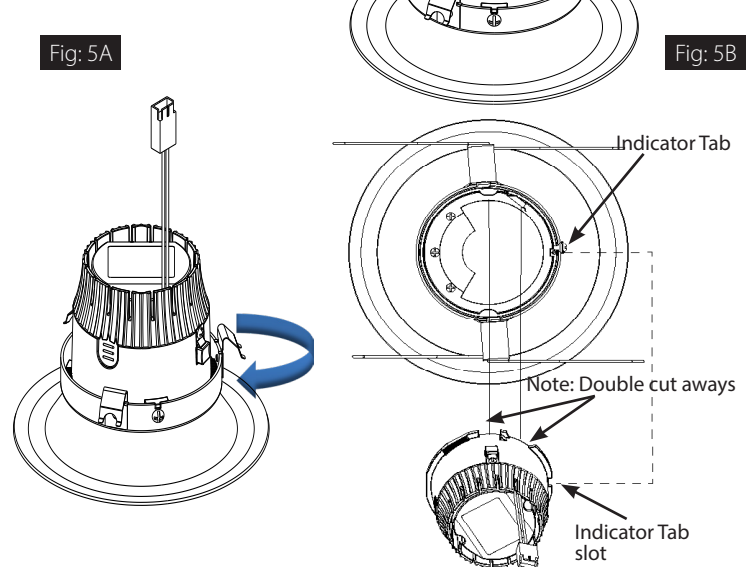
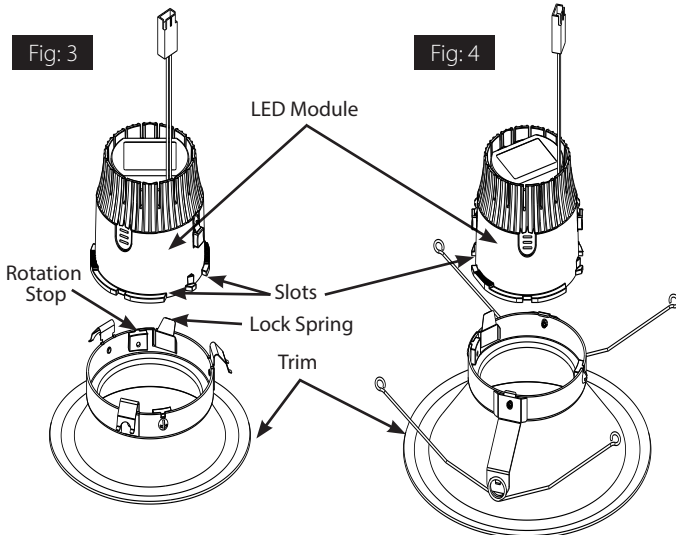
AVAILABLE TRIM COLORS

A = Antique Bronze SA = Satin Nickel M* = Semi-Specular MW* = Semi-Specular Cone, White Trim
 CU = Copper W = White SW* = Specular Cone, White Trim BW** = Black Baffle, White Trim

Halite trims (each sold separately) to be used with LED modules: HALED8 or HALED12.
 Remodeler cans: RDCANIC4 or RDCANIC6. New construction cans: NDCANIC4 or NDCANIC6.
 Optics: HA50FR, HA80FR or HAWW with frosted lenses (Solite® glass option available for 50° and 80°).
 * Only available for Downlight & Wallwasher Trims. ** Only available for Baffle Trims.

LED MODULE TO TRIM ASSEMBLY

1. The LED Module can only be installed in one orientation. Slot from LED Module must line up with Rotation Stop and Lock Spring located on Trim ring. See FIG.3 and FIG.4
2. Rotate LED Module clockwise past Lock Spring until snug, as shown in FIG.5A
3. For LED Module with Wallwasher optic, align the Indicator Tab on the Wallwasher Trim to the Indicator Tab slot as shown in Fig.5B and rotate LED Module clockwise past Lock Spring until snug.



INSTRUCTIONS

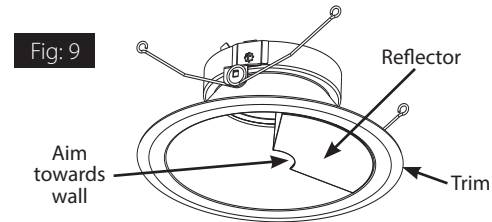
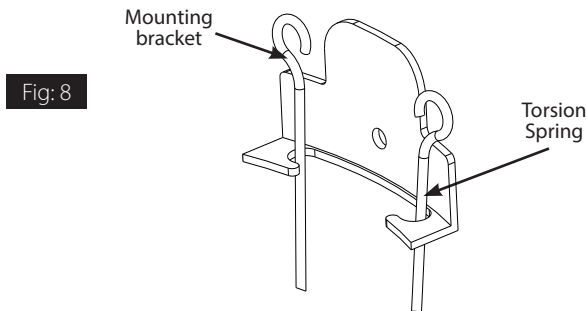
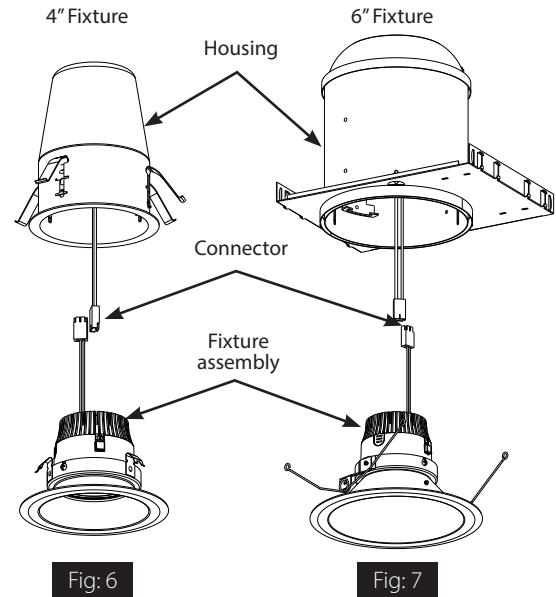
HALITE 4" and 6" INSTALLATION



RAB Lighting is committed to creating high-quality, affordable, well-designed and energy-efficient LED lighting and controls that make it easy for electricians to install and end users to save energy. We'd love to hear your comments. Please call the Marketing Department at 888-RAB-1000 or email: marketing@rablighting.com

MOUNTING FIXTURE TO THE HOUSING

1. Plug the **Connector** from the **Fixture Assembly** to the **Connector** in the **Housing**:
Remodeler Can: RDCANIC4R & RDCANIC6R
New Construction Can: NDCANIC4R & NDCANIC6R
2. For 4" adjustable and wallwasher fixtures, align (rotate) the fixture in desired orientation prior pushing the fixture into the **Housing**. For 6" adjustable and wallwasher fixtures, squeeze **Torsion Spring** and guide into the **Mounting Bracket** in the **Housing** (FIG 8). The 6" wallwasher **Reflector** can be rotated to desired orientation after the fixture has been set into the **Housing**, as shown in FIG.7. Also make sure that the **Reflector** on the **Trim** is set away from the wall as shown in FIG.9
3. When assembled as instructed this product is certified Air Tight per ASTM E283-04 (2012).



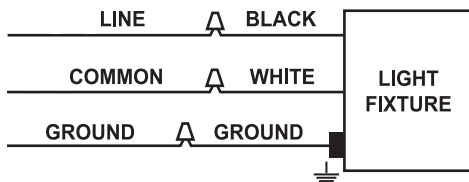
*Wallwasher reflector should be positioned opposite of wall to be illuminated

WIRING

WARNING: To prevent wiring damage or abrasion, do not expose wiring to edges of sheet metal or other sharp objects.

Fixture operates at 120V-277V 60 Hz and can be dimmed with most forward phase incandescent dimmers@120V. For a list of compatible dimmers see www.rablighting.com

1. Connect GROUND wire from HALITE fixture to the existing housing with # 8 screw provided to any existing housing hole as shown or drill a new 1/8" diameter hole.
2. Plug in wire connector between Housing and HALITE fixture.



CLEANING & MAINTENANCE

CAUTION: Be sure fixture temperature is cool enough to touch. Do not clean or maintain while fixture is energized.

1. Clean lens & fixture with non-abrasive cleaning solution.
2. Do not open fixture to clean the LED. Do not touch the LED.

TROUBLESHOOTING

1. Check that the line voltage at the fixture is correct (120V-277V)
2. Is the fixture grounded properly?

Note: These instructions do not cover all details or variations in equipment nor do they provide for every possible situation during installation, operation or maintenance.



Easy Answers

© 2019 RAB LIGHTING Inc.
Northvale, New Jersey 07647 USA

rablighting.com
Visit our website for product info

Tech Help Line
Call our experts: 888 722-1000

e-mail
Answered promptly - sales@rablighting.com

Free Lighting Layouts
Answered online or by request

HALITE IN RAB 0919

RAB WARRANTY: RAB's warranty is subject to all terms and conditions found at rablighting.com/warranty

PATENT: Patent information can be found at rablighting.com/ip