

# INSTRUCTIONS

## HID Post Top LED Series

RAB Lighting is committed to creating high-quality, affordable, well-designed and energy-efficient LED lighting and controls that make it easy for electricians to install and end users to save energy. We'd love to hear your comments. Please call the Marketing Department at 888-RAB-1000 or email: [marketing@rablighting.com](mailto:marketing@rablighting.com)



### SAFETY PRECAUTIONS

#### WARNINGS:

Please read the instructions carefully and observe installation details. Mainly apply for high bay and other suitable light fixtures. When using electrical equipment, basic safety precautions should always be followed including:

- Make certain power is OFF before installing or maintaining fixture.
- Operating temperature: -30°C to 60°C (-22°F to 140°F).
- These LED Lamps require all ballasts, capacitors, and ignitors to be bypassed or removed. Do not operate lamps on existing ballasts.
- RISK OF FIRE OR ELECTRIC SHOCK. Luminaire wiring and electrical parts may be damaged when drilling for installation of LED retrofit kit. Check for enclosed wiring and components. LED Retrofit lamp installation requires knowledge of luminaires electrical systems. If not qualified, do not attempt installation. Contact a qualified electrician.

FOR USE IN ENCLOSED FIXTURES

PRODUCT IS NOT DIMMABLE

NOT FOR EMERGENCY LIGHTING

When using in portable table luminaires, ensure the distance from the bottom of the base to the top of the lampholder does not exceed three (3) times the base diameter.

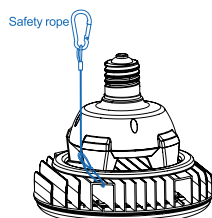
### PRODUCT FEATURES

- UL certified
- Product applications: mainly apply for high bay and other suitable light fixtures

### INSTALLATION INSTRUCTIONS

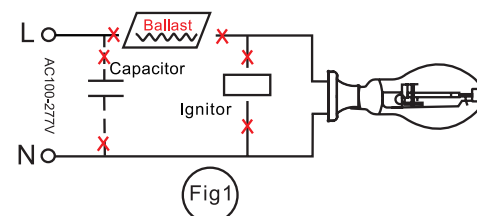
You must use the safety rope to tight the lamps in case of falling down due to old socket

Burning positions: base up

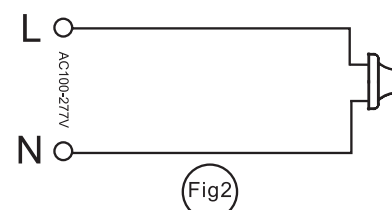


### INSTALLATION INSTRUCTIONS (cont'd)

1. Turn off the power before installation (as shown in Figure 1). Remove the old ballast, capacitor and ignitor (if existing).



2. Make sure the alternating current wires connect to the socket directly (as shown in Figure 2). Reattach or replace ground lead (if one is needed).



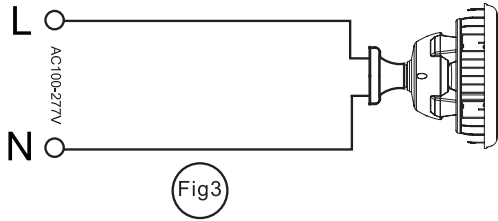
# INSTRUCTIONS

## HID Post Top LED Series

RAB Lighting is committed to creating high-quality, affordable, well-designed and energy-efficient LED lighting and controls that make it easy for electricians to install and end users to save energy. We'd love to hear your comments. Please call the Marketing Department at 888-RAB-1000 or email: [marketing@rablighting.com](mailto:marketing@rablighting.com)

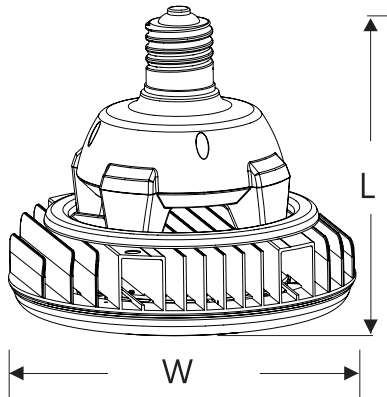
### INSTALLATION INSTRUCTIONS *(cont'd)*

- Screw the LED lamp into the corresponding socket (as shown in Figure 3). Attach retrofit label to luminaire.



### ELECTRICAL PARAMETERS

Input Wattage (W)	Input Voltage (Vac)	Input Current (A)	No. of LEDs
60W	100-277	0.666	176
80W	100-277	0.888	224
115W	100-277	1.277	330



### WARRANTY

Five years warranty for each lamp, we will supply warranty based on this period. If you have any inquiries, please do not hesitate to contact us or our engineers if you do not understand these instructions.

### WARNING

**RISK OF FIRE OR ELECTRIC SHOCK.** Install this kit only in luminaires that have the construction features and dimensions shown in the photographs or drawings and where the input rating of the retrofit kit does not exceed the input rating of the luminaire.

For use in enclosed fixtures. Before installation make certain the AC power to the fixture is off.

Do not make or alter any open holes of the wiring enclosure or electrical component enclosure during installation. Only those open holes indicated in the photographs or drawings may be added or altered as a result of kit installation. Do not leave any other open holes in the wiring enclosure or electrical component enclosure during installation.

Installers should not disconnect existing wires from lampholder terminals to make new connections at lampholder terminals. Instead installers should cut existing lampholder leads away from the lampholder and make new electrical connections to lampholder lead wires by employing applicable connectors.

To prevent wiring damage or abrasion, do not expose wiring to edges of sheet metal or other sharp objects.

THIS RETROFIT KIT IS ACCEPTED AS A COMPONENT OF A LUMINAIRE WHERE THE SUITABILITY OF THE COMBINATION SHALL BE DETERMINED BY AUTHORITIES HAVING JURISDICTION