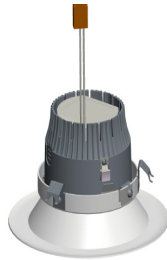
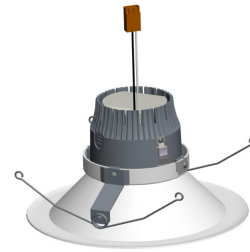


HALITE 4" HALITE 6" INSTALLATION INSTRUCTIONS

Thank you for buying RAB lighting fixtures. Our goal is to design the best quality products to get the job done right. We'd like to hear your comments. Call the Marketing Department at 888-RAB-1000 or email: marketing@rabweb.com



HALITE 4"



HALITE 6"

IMPORTANT

READ CAREFULLY BEFORE INSTALLING FIXTURE. RETAIN THESE INSTRUCTIONS FOR FUTURE REFERENCE.

RAB fixtures must be wired in accordance with the National Electrical Code and all applicable local codes. Proper grounding is required for safety. THIS PRODUCT MUST BE INSTALLED IN ACCORDANCE WITH THE APPLICABLE INSTALLATION CODE BY A PERSON FAMILIAR WITH THE CONSTRUCTION AND OPERATION OF THE PRODUCT AND THE HAZARDS INVOLVED.

WARNING: Make certain power is OFF before installing or maintaining fixture. No user serviceable parts inside.

SAFETY INSTRUCTIONS

WARNING: Risk of fire or electric shock. LED retrofit Kit installation requires knowledge of luminaires electrical systems. If not qualified, do not attempt installation. Contact a qualified electrician.

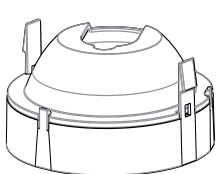
WARNING: Risk of fire or electric shock. Install this kit only in luminaires that have the construction features and dimensions shown in the photographs and/or drawings and where the input rating of the retrofit kit does not exceed the input rating of the luminaire.

WARNING: Do not make or alter any open holes in an enclosure of wiring or electrical components during kit installation.

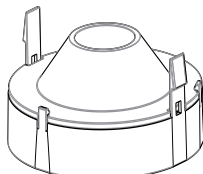
WARNING: To prevent wiring damage or abrasion, do not expose wiring to edges of sheet metal or other sharp objects.

OPTIC ASSEMBLY/REPLACEMENT

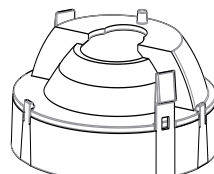
(Standard Frosted lens -Non Frosted option available for 50Deg & 80Deg)



50Deg:
CAT# HA50 & HA50FR



80Deg:
CAT#:HA80 & HA80FR



Wallwasher:
CAT#: HAWW

1. Each **LED Module** comes with **80Deg** Optic assembly. **50 Deg** or **Wallwasher** are available to purchase separately. To replace Optics, push **release buttons** on both sides to release optic assembly and pull to remove.
2. Take new optic and Orient to match **hooks** with **release buttons** on **LED Module**. Then slide **optic assembly** into **LED module** until it clicks in, as shown in FIG.1
3. For **Wallwasher** optic assembly, **peg** must line-up with **slot** in **heatsink** as shown in FIG.2

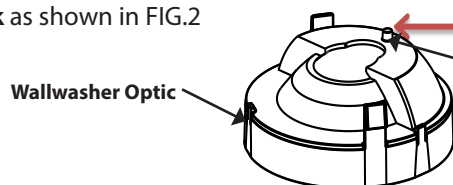


FIG.2

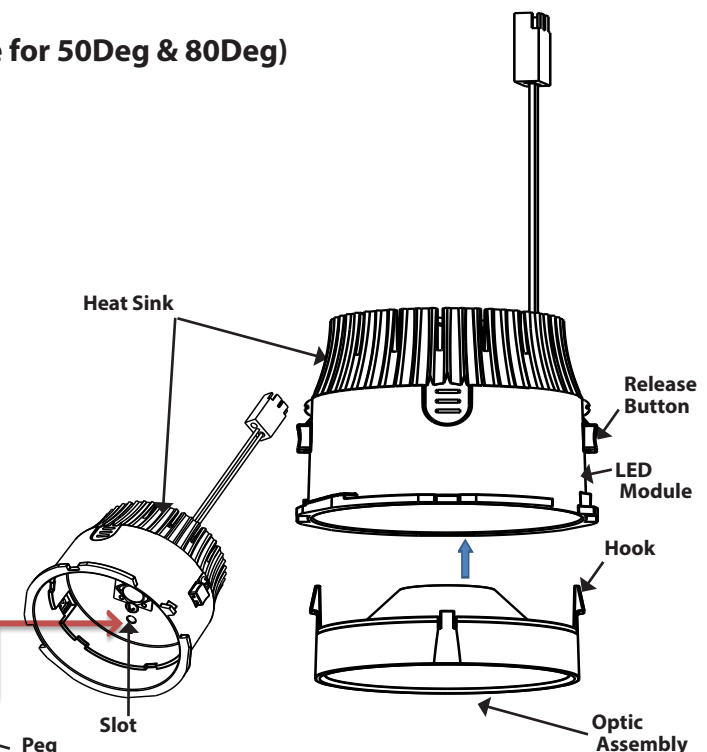


FIG.1

HALITE 4" HALITE 6" INSTALLATION INSTRUCTIONS



Thank you for buying RAB lighting fixtures. Our goal is to design the best quality products to get the job done right. We'd like to hear your comments. Call the Marketing Department at 888-RAB-1000 or email: marketing@rabweb.com

AVAILABLE TRIMS:

HALITE TRIMS	ADJUSTABLE	BAFFLE	DOWNLIGHT	WALLWASHER
4"				
6"				

LED MODULE TO TRIM ASSEMBLY

1. The **LED Module** can only be installed in one orientation. **Slot** from **LED module** must line up with **rotation stop** and **lock spring** located on **trim ring**. See FIG.3 and FIG.4
2. Rotate **LED Module** clock wise past **lock spring** until snug, as shown in FIG.5

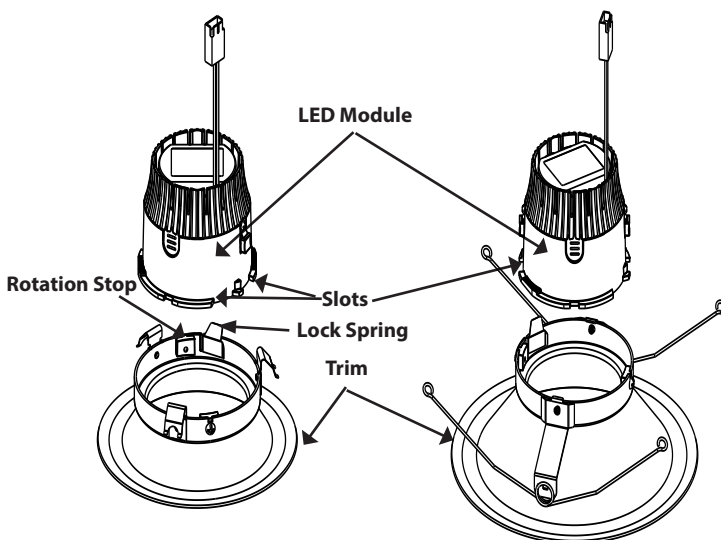
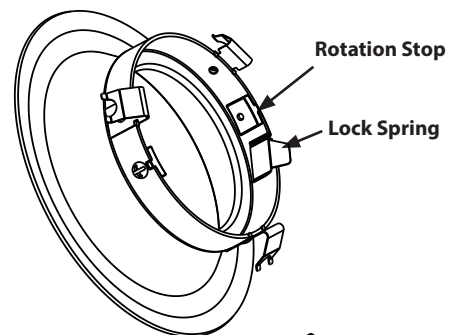


FIG.3

FIG.4

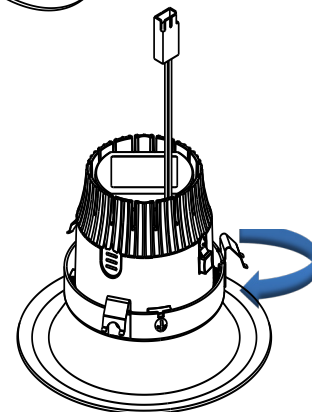


FIG.5

HALITE 4" HALITE 6" INSTALLATION INSTRUCTIONS

Thank you for buying RAB lighting fixtures. Our goal is to design the best quality products to get the job done right. We'd like to hear your comments. Call the Marketing Department at 888-RAB-1000 or email: marketing@rabweb.com

MOUNTING FIXTURE TO THE HOUSING:

1. Plug the **connector** from the Fixture assembly to the **connector** in the **housing**:
Remodeler Can: RDCAN4R & RDCAN6R
New Construction Can: NDCAN4R & NDCAN6R
2. For 4" Adjustable and Wallwasher fixtures, align (rotate) the fixture in desired Orientation prior pushing the fixture into the housing.
3. For 6" Adjustable and Wallwasher fixtures, squeeze **torsion spring** and guide into the **mounting bracket** in the housing (FIG 8) . The 6" Wallwasher reflector can be rotated to desired orientation after the fixture has been set into the **housing**, as shown in FIG.7. Also make sure that the **reflector** on the **trim** is set away from the **wall** as shown in FIG.9

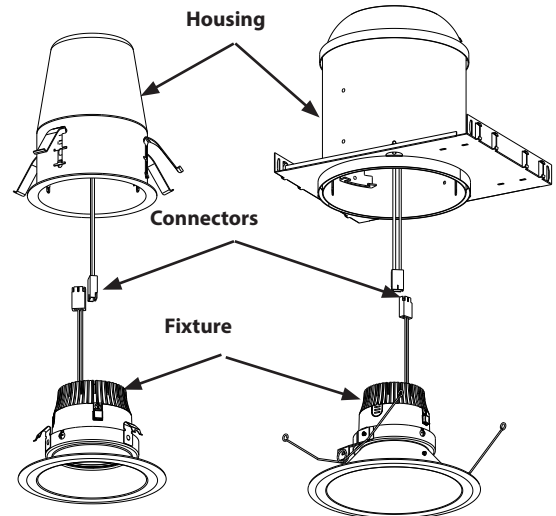


FIG.6: 4" Fixture

FIG.7: 6" Fixture

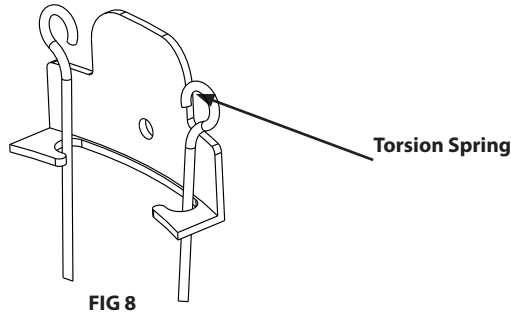


FIG 8

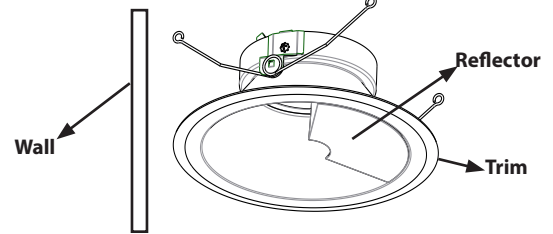


FIG 9

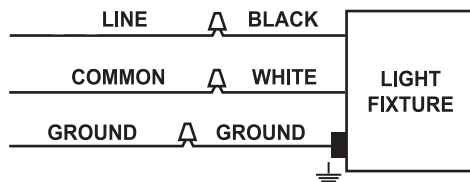
*Wall washer reflector should be positioned opposite of wall to be washed

WIRING

WARNING: To prevent wiring damage or abrasion, do not expose wiring to edges of sheet metal or other sharp objects.

Fixture operates at 120V-277V 60 Hz and can be dimmed with most forward phase incandescent dimmers@120V. For a list of compatible dimmers see www.rabweb.com

1. Connect GROUND wire from HALITE fixture to the existing housing with # 8 screw provided to any existing housing hole as shown or drill a new 1/8" diameter hole.
2. Plug in wire connector between Housing and HALITE fixture.



CLEANING & MAINTENANCE:

CAUTION: Be sure fixture temperature is cool enough to touch. Do not clean or maintain while fixture is energized.

1. Clean lens & fixture with non-abrasive cleaning solution.
2. Do not open fixture to clean the LED. Do not touch the LED.

TROUBLESHOOTING

1. Check that the line voltage at the fixture is correct (120V-277V)
2. Is the fixture grounded properly?

Note: These instructions do not cover all details or variations in equipment nor do they provide for every possible situation during installation, operation or maintenance.

HATRIM4R" HATRIM6R" INSTALLATION INSTRUCTIONS



Thank you for buying RAB lighting fixtures. Our goal is to design the best quality products to get the job done right. We'd like to hear your comments. Call the Marketing Department at 888-RAB-1000 or email: marketing@rabweb.com

IMPORTANT

READ CAREFULLY BEFORE INSTALLING FIXTURE. RETAIN THESE INSTRUCTIONS FOR FUTURE REFERENCE.

RAB fixtures must be wired in accordance with the National Electrical Code and all applicable local codes. Proper grounding is required for safety. THIS PRODUCT MUST BE INSTALLED IN ACCORDANCE WITH THE APPLICABLE INSTALLATION CODE BY A PERSON FAMILIAR WITH THE CONSTRUCTION AND OPERATION OF THE PRODUCT AND THE HAZARDS INVOLVED.

WARNING: Make certain power is OFF before installing or maintaining fixture. No user serviceable parts inside.

SAFETY INSTRUCTIONS

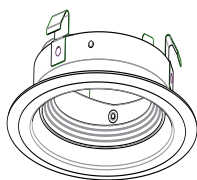
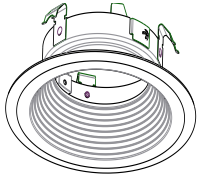
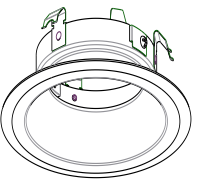
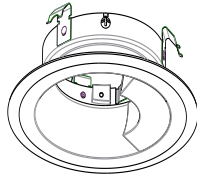
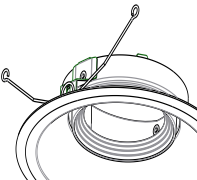
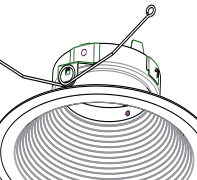
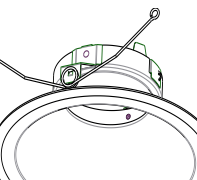
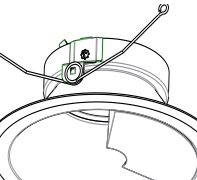
WARNING: Risk of fire or electric shock. LED retrofit Kit installation requires knowledge of luminaires electrical systems. If not qualified, do not attempt installation. Contact a qualified electrician.

WARNING: Risk of fire or electric shock. Install this kit only in luminaires that have the construction features and dimensions shown in the photographs and/or drawings and where the input rating of the retrofit kit does not exceed the input rating of the luminaire.

WARNING: Do not make or alter any open holes in an enclosure of wiring or electrical components during kit installation.

WARNING: To prevent wiring damage or abrasion, do not expose wiring to edges of sheet metal or other sharp objects.

AVAILABLE TRIMS:

HALITE TRIMS	ADJUSTABLE	BAFFLE	DOWNLIGHT	WALLWASHER
4"				
6"				

AVAILABLE TRIM COLORS:

- A=Antique Bronze
- CU=Copper
- SA=Satin Nickel
- W=White
- M *=Semi-Specular
- SW*=Specular Cone, White Trim
- MW*=Semi-Specular Cone, White Trim
- BW**=Black Baffle, White Trim

* Only available for Wallwasher Trims

** Only available for Baffle Trims

Halite Trims to be used with (Each sold separately):

LED Module: HALED8 or HALED12

Remodelers CAN: RDCAN4" or RDCAN6" New Construction Can: NDCAN4" or NDCAN6"

Optic : HA50FR, HA80FR & HAWW with Frosted Lens (Solite Glass option available for 50Deg & 80Deg

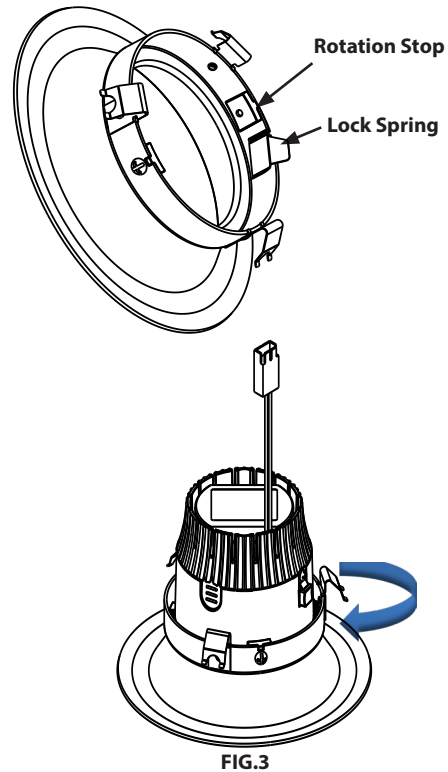
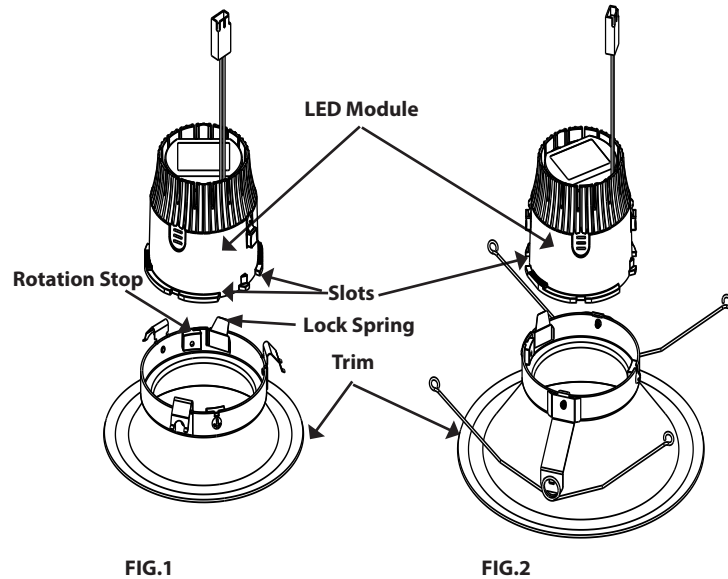
HATRIM4R" HATRIM6R" INSTALLATION INSTRUCTIONS



Thank you for buying RAB lighting fixtures. Our goal is to design the best quality products to get the job done right. We'd like to hear your comments. Call the Marketing Department at 888-RAB-1000 or email: marketing@rabweb.com

LED MODULE TO TRIM ASSEMBLY

1. The **LED Module** can only be installed in one orientation. **Slot** from **LED module** must line up with **rotation stop** and **lock spring** located on **trim** ring. See FIG.1 and FIG.2
2. Rotate **LED Module** clock wise past **lock spring** until snug, as shown in FIG.3



CLEANING & MAINTENANCE:

CAUTION: Be sure fixture temperature is cool enough to touch. Do not clean or maintain while fixture is energized.

1. Clean lens & fixture with non-abrasive cleaning solution.
2. Do not open fixture to clean the LED. Do not touch the LED.

TROUBLESHOOTING

Check that the line voltage at fixture is correct.

Note: These instructions do not cover all details or variations in equipment nor do they provide for every possible situation during installation, operation or maintenance.



Easy Answers

rabweb.com
Visit our website for product info

Tech Help Line
Call our experts - 888 722-1000

e-mail
Answered promptly - sales@rabweb.com

Free Lighting Layouts
Answered online or by request