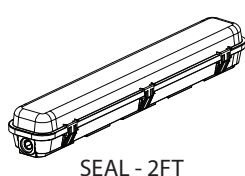


INSTRUCTIONS

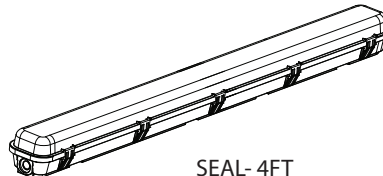
JBSEAL INSTALLATION



RAB Lighting is committed to creating high-quality, affordable, well-designed and energy-efficient LED lighting and controls that make it easy for electricians to install and end users to save energy. We'd love to hear your comments. Please call the Marketing Department at 888-RAB-1000 or email: marketing@rablighting.com



SEAL - 2FT



SEAL - 4FT

IMPORTANT

READ CAREFULLY BEFORE INSTALLING FIXTURE. RETAIN THESE INSTRUCTIONS FOR FUTURE REFERENCE.

RAB fixtures must be wired in accordance with the National Electrical Code and all applicable local codes. Proper grounding is required for safety. THIS PRODUCT MUST BE INSTALLED IN ACCORDANCE WITH THE APPLICABLE INSTALLATION CODE BY A PERSON FAMILIAR WITH THE CONSTRUCTION AND OPERATION OF THE PRODUCT AND THE HAZARDS INVOLVED.

WARNING: Make certain power is OFF before installing or maintaining fixture. No user serviceable parts inside.

CAUTION: For proper weatherproof function all gaskets must be seated properly and all screws inserted and tightened firmly. Apply weatherproof silicone sealant around the edge of the ceiling mounting box and/or junction box. This is especially important with an uneven ceiling surface. Silicone all plugs and unused conduit entries.

FOLLOW ALL SEAL® (sold separately) INSTALLATION INSTRUCTIONS.

INSTALLATION

1. Use appropriate mounting hardware (*not supplied*) to secure the **JBSEAL Bracket (1)** to **Mounting Surface** or **Junction Box** (*supplied by other*) as shown in Fig. 1.
2. Check that the **Gasket (1)** is fully seated (Fig. 2). Use Cord Grip provided to feed supply wires into **fixture**.
3. Recommended **JBSEAL Bracket** distance center to center is 5-4/5" for SHARK 2ft and SHARK 4ft as shown in Fig. 3.
4. Use appropriate UL approved wire connectors as required by code to complete wiring with supply wires. Be careful not to pinch the wires.
5. Push **Housing** into **JBSEAL Bracket (1)** to secure fixture to **Mounting Surface** as shown in Fig. 1.

Fig: 1

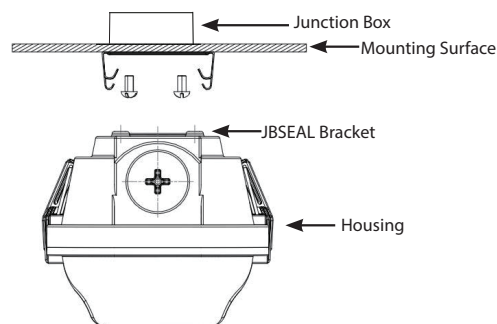


Fig: 2

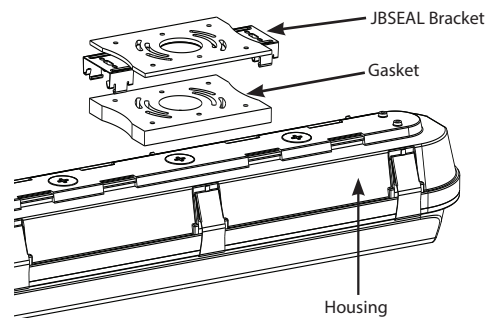
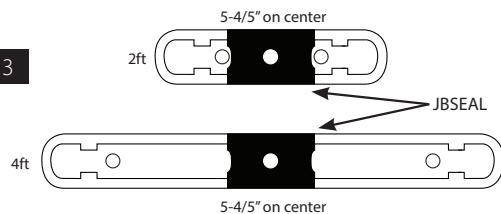


Fig: 3



TROUBLESHOOTING

1. Check that line voltage at the fixture is correct. Be sure the fixture is grounded properly.
2. Refer to wiring, cleaning and maintenance directions on SEAL® (*sold separately*) Installation Instructions.

Note: These instructions do not cover all details or variations in equipment nor do they provide for every possible situation during installation, operation or maintenance.

Easy Answers