

LFLED8 INSTALLATION INSTRUCTIONS



Thank you for buying RAB lighting fixtures. Our goal is to design the best quality products to get the job done right. We'd like to hear your comments. Call the Marketing Department at 888-RAB-1000 or email: marketing@rabweb.com



IMPORTANT

READ CAREFULLY BEFORE INSTALLING FIXTURE. RETAIN THESE INSTRUCTIONS FOR FUTURE REFERENCE.

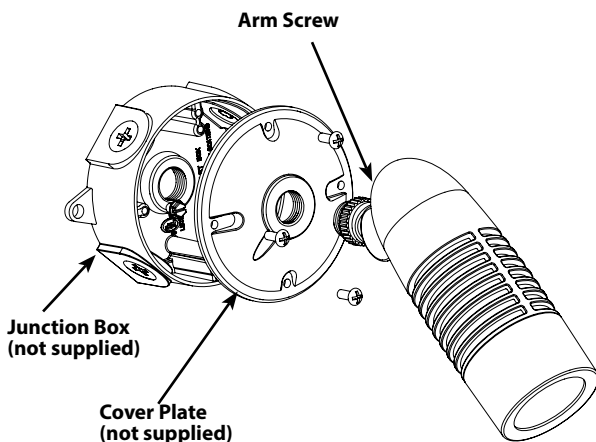
Fixtures must be wired in accordance with the National Electrical Code and all applicable local codes. Proper grounding is required for safety. THIS PRODUCT MUST BE INSTALLED IN ACCORDANCE WITH THE APPLICABLE INSTALLATION CODE BY A PERSON FAMILIAR WITH THE CONSTRUCTION AND OPERATION OF THE PRODUCT AND THE HAZARDS INVOLVED.

WARNING: Make certain power is OFF before installing or maintaining fixture. No user serviceable parts inside.

WALL MOUNTING

Mount to a weatherproof junction box and cover plate (not supplied) as shown. To ensure weatherproof seal, apply weatherproof silicone sealant around the edge of the wall cover plate or surface box. This is especially important with an uneven wall surface.

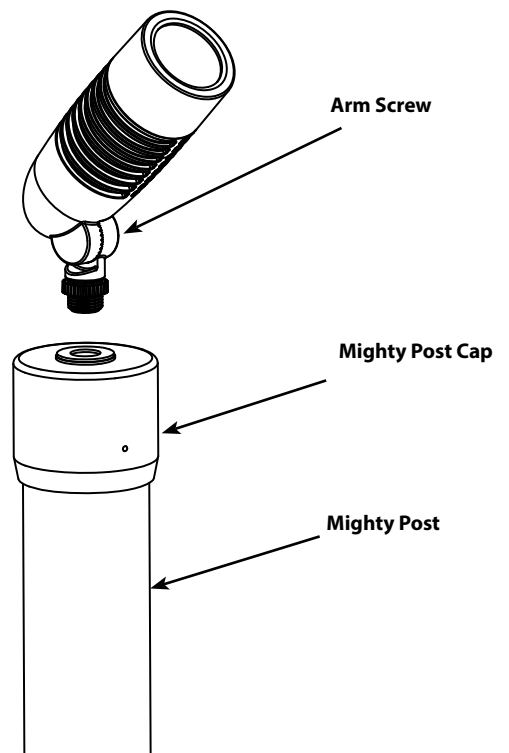
1. Seal arm thread using Teflon tape or silicone sealant.
2. Thread fixture into **Cover Plate**(not supplied).
3. Connect wires as shown in the wiring diagram.
4. Attach cover plate to **Junction Box** (not supplied).
5. Aim floodlight in the direction desired and tighten locknut and **Arm Screw**.



GROUND MOUNTING

Mount to a Mighty Post (RAB Cat# MP19) as shown.

1. Thread fixture into **Mighty Post Cap**.
2. Connect wires as shown in the wiring diagram and place inside the **Mighty Post**.
3. Place **Mighty Post Cap** on the **Mighty Post**.
4. Aim floodlight in the direction desired and tighten locknut and **Arm Screw**.



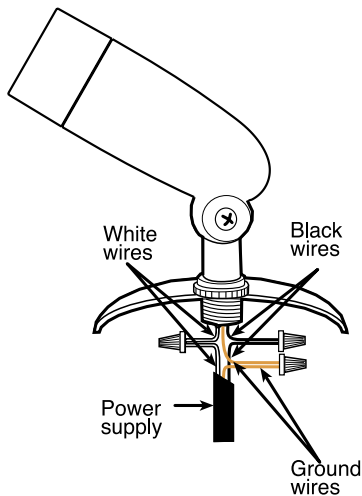
LFLED8 INSTALLATION INSTRUCTIONS

Thank you for buying RAB lighting fixtures. Our goal is to design the best quality products to get the job done right. We'd like to hear your comments. Call the Marketing Department at 888-RAB-1000 or email: marketing@rabweb.com

WIRING

Universal voltage driver permits operation at 120V thru 240V, 50 or 60 Hz.

1. Connect the black fixture lead to the (+) LINE supply lead.
2. Connect the white fixture lead to the (-) COMMON supply lead.
3. Connect the GROUND wire from fixture to supply ground.



CLEANING & MAINTENANCE

CAUTION: Be sure fixture temperature is cool enough to touch. Do not clean or maintain while fixture is energized.

1. Clean glass lens & fixture with non-abrasive glass cleaning solution.
2. Do not open fixture to clean the LED. Do not touch the LED.

TROUBLESHOOTING

1. Check that the line voltage at fixture is correct. Refer to wiring directions.
2. Is the fixture grounded properly?
3. Keep leaves and debris out of hood.

ACCESSORIES

Reflector door lens kit can be ordered separately

- LNSLFLED8** 15° spot reflector, door, lens kit for LFLED8
LSLFLED8 20° spot reflector, door, lens kit for LFLED8

Patent - **US:** pat. 676,190; **CN:** ZL201230408896.9; **CA:** D RAB Lighting, Inc **MX:** 39011; **TW:** pat. pending

Note: These instructions do not cover all details or variations in equipment nor do they provide for every possible situation during installation operation or maintenance.

