

INSTRUCTIONS

CYLINDER INSTALLATION



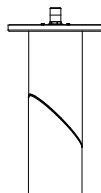
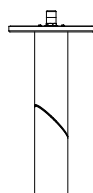
RAB Lighting is committed to creating high-quality, affordable, well-designed and energy-efficient LED lighting and controls that make it easy for electricians to install and end users to save energy. We'd love to hear your comments. Please call the Marketing Department at 888-RAB-1000 or email: marketing@rablighting.com

Track Mount



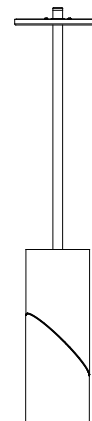
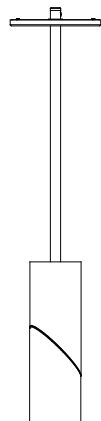
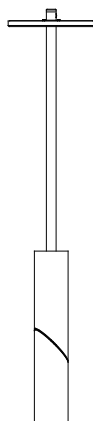
TK22R/TK22RB

Ceiling Mount



TK22R/TK22RB

Pendant Mount



TK22R/TK22RB

IMPORTANT

READ CAREFULLY BEFORE INSTALLING FIXTURE. RETAIN THESE INSTRUCTIONS FOR FUTURE REFERENCE.

RAB fixtures must be wired in accordance with the National Electrical Code and all applicable local codes. Proper grounding is required for safety. THIS PRODUCT MUST BE INSTALLED IN ACCORDANCE WITH THE APPLICABLE INSTALLATION CODE BY A PERSON FAMILIAR WITH THE CONSTRUCTION AND OPERATION OF THE PRODUCT AND THE HAZARDS INVOLVED.

WARNING:

- Make certain power is OFF before installing or maintaining fixture. No user serviceable parts inside.
- Fixture is suitable for wet location.
- Fixture must be mounted a minimum of 4 feet above ground level. T

INSTRUCTIONS

CYLINDER INSTALLATION TK22



RAB Lighting is committed to creating high-quality, affordable, well-designed and energy-efficient LED lighting and controls that make it easy for electricians to install and end users to save energy. We'd love to hear your comments. Please call the Marketing Department at 888-RAB-1000 or email: marketing@rablighting.com

TRACK MOUNT INSTALLATION

1. Fix the track system on the ceiling.(Fig. 1)

Fig: 1

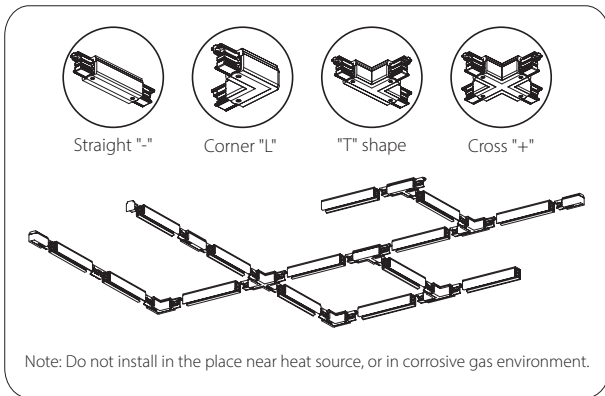
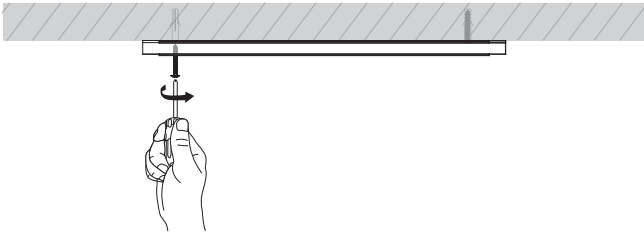
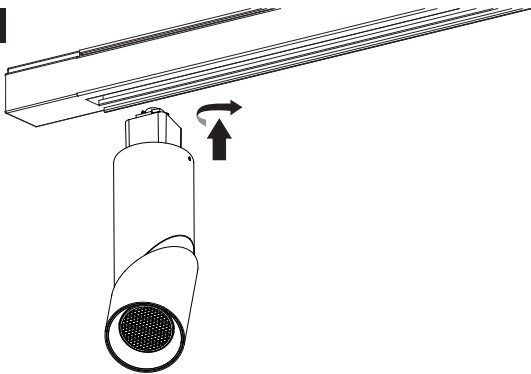


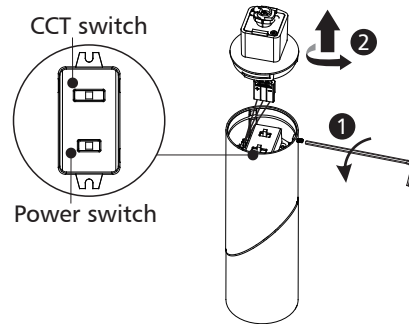
Fig: 4



TRACK MOUNT INSTALLATION(cont'd)

2. Fix the cylinder into the track rail.(Fig. 2)

Fig: 2



3. Manually adjust the beam angle as needed.(Fig. 3)

Fig: 3

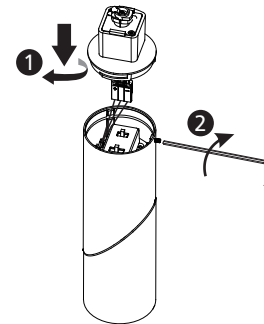
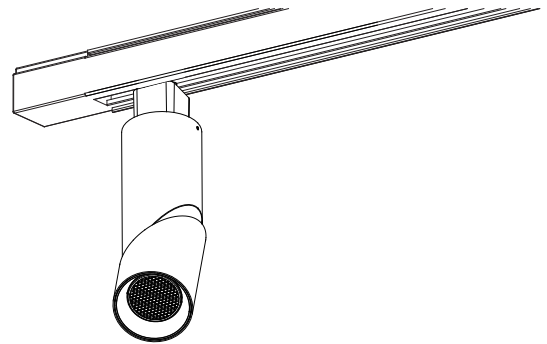


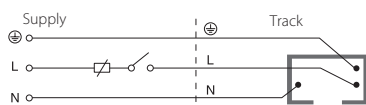
Fig: 5



WIRING DIAGRAM

Fig: 6

3-wires, 1-circuit



1-phase, 1-circuit, 230V AC, 16A, 3.7kVA

INSTRUCTIONS

CYLINDER INSTALLATION TK22

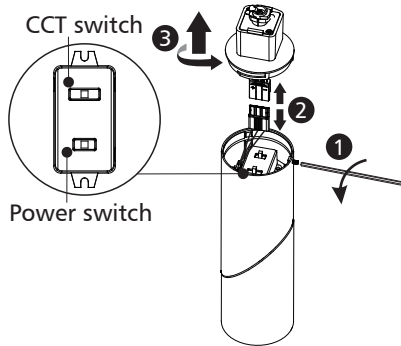


RAB Lighting is committed to creating high-quality, affordable, well-designed and energy-efficient LED lighting and controls that make it easy for electricians to install and end users to save energy. We'd love to hear your comments. Please call the Marketing Department at 888-RAB-1000 or email: marketing@rablighting.com

TRANSFORM TRACK MOUNT INTO SURFACE MOUNT

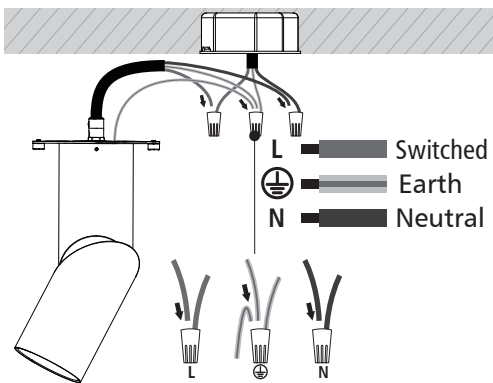
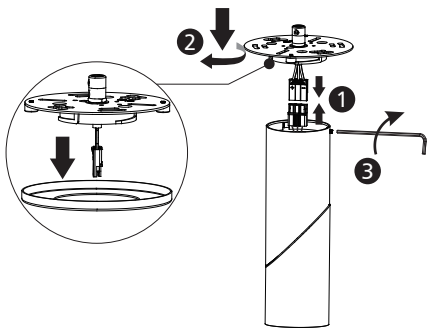
1. Cut the wire close to the top of the screw.(Fig.6)

Fig: 6



2. Remove the screws on the side.(Fig.7)

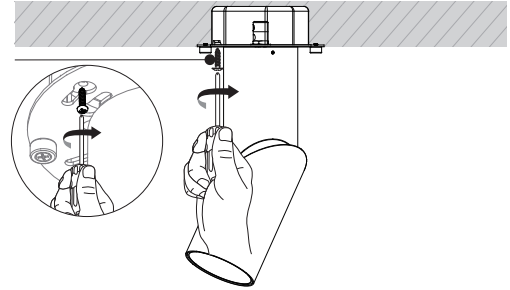
Fig: 7



TRANSFORM TRACK MOUNT INTO SURFACE MOUNT(cont'd)

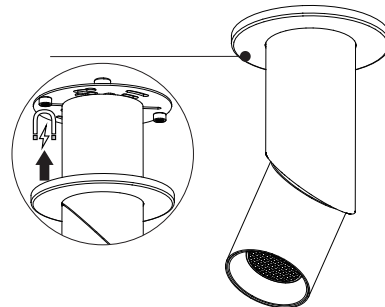
4. Pass the wire through the hole and tighten the screws on the top as well as on both sides.(Fig.9)

Fig: 8



5. Extend the wire if needed.(Fig.10)

Fig: 9



INSTRUCTIONS

CYLINDER INSTALLATION TK22



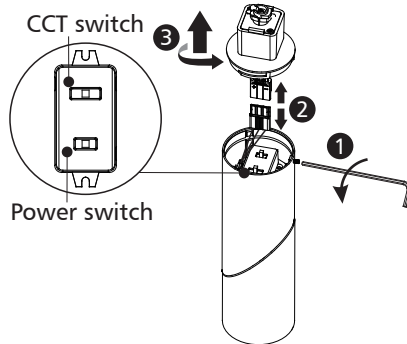
RAB Lighting is committed to creating high-quality, affordable, well-designed and energy-efficient LED lighting and controls that make it easy for electricians to install and end users to save energy. We'd love to hear your comments. Please call the Marketing Department at 888-RAB-1000 or email: marketing@rablighting.com

CEILING MOUNT INSTALLATION

1. Adjust the length of the wire according to the actual needs. Select CCT and power according to the requirements.(Fig. 11)
Factory Default Setting:

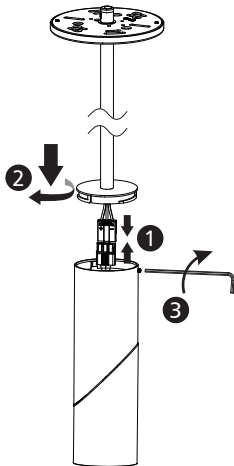
Watt: 30W/20W/8W CCT:4000K

Fig: 10



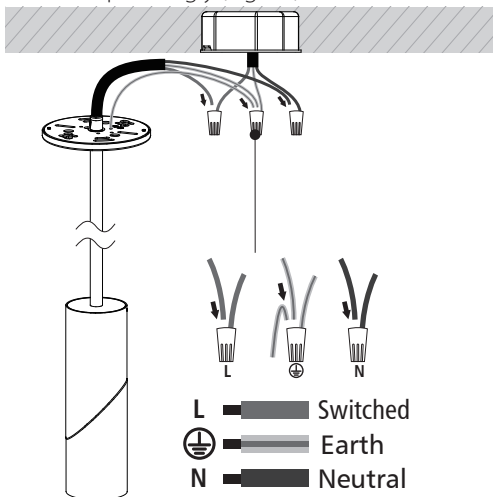
2. Fix the bracket into the junction box.(Fig. 12)

Fig: 11



3. Connect wires correspondingly.(Fig. 13)

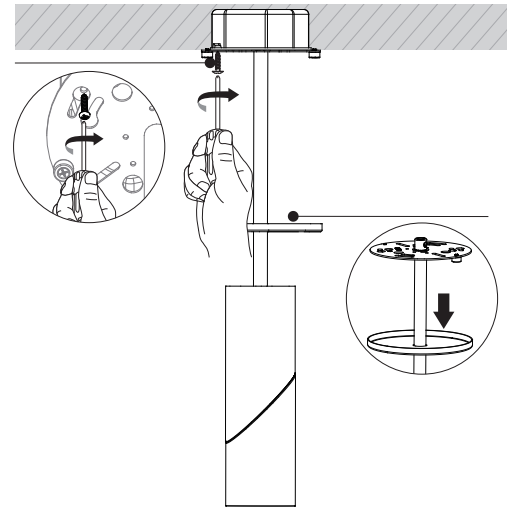
Fig: 12



CEILING MOUNT INSTALLATION(cont'd)

4. Lock the ceiling plate to the bracket and tighten the two screws.(Fig. 14)

Fig: 13



5. Installation completed. (Fig. 15)

Fig: 14

