

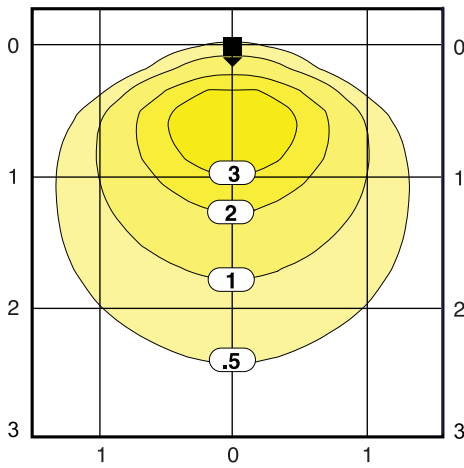
# QF150F & QF200F Technical Data

## Quartz Halogen

Watts	Type	Base	Initial Lumens	Lamp Hours
150	T3	Double Ended	2,800	2,000
200	T3	Double Ended	3,600	2,000

### Easy Lighting Layouts

150w Quartz @ 10' Mounting Height  
Aimed 30° below horizon



Watt	Multiplier
150	1.0
200	1.3

Mounting Height	Multiplier
8'	1.6
10'	1.0
12'	.9
15'	.4
20'	.3

Multiples of Mounting Height  
Values shown in Footcandles



Go to [www.lightinglayouts.com](http://www.lightinglayouts.com)  
to create a lighting layout in minutes

### Specifications

#### Housing

Die cast aluminum, 1/2" NPS threaded arm. Locking swivel fits all standard mounting boxes.

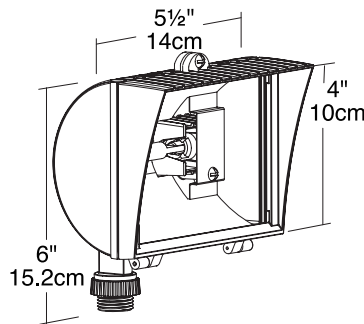
#### Reflector

Semi-specular anodized aluminum.

#### UL Listing

Suitable for wet locations.

#### Dimensions



#### Socket

Porcelain RSC base sockets with gold plated spring loaded contacts and strain relieved 250°C Teflon insulated wires.

#### Finish

Chip and fade resistant polyester powder coat finish.

#### Lens Gasket

High temperature silicone gasket stays in place during relamping.

#### Lens

Tempered, shock resistant glass.

#### Important

This product must be installed in accordance with the applicable installation code by a person familiar with the construction and operation of the product and the hazards involved.

### Installation

#### FIXTURE INSTALLATION:

1. Make sure electricity is turned OFF.
2. Screw fixture into weatherproof cover.
3. Connect wires as shown in diagram.
4. Attach cover to junction box.
5. Install lamp (See directions)
6. Aim floodlight and tighten locknut & arm screw.

#### LAMP INSTALLATION

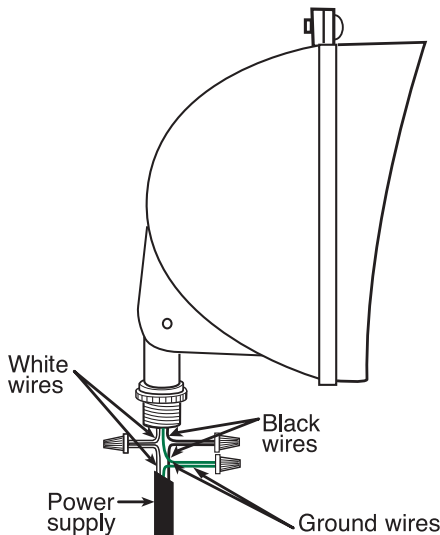
1. Use Type "T3" 200W or 150W double ended lamp.
2. Disconnect power. Let lamp cool if it was in use.
3. Remove screw and swing door frame down.
4. Important: DON'T TOUCH LAMP WITH BARE HANDS.  
Touching with bare hands will cause premature lamp failure. Use gloves or cloth to hold lamp. Insert lamp into spring loaded socket. Fit the lamp into other socket and release.
5. Swing door frame up. Replace screw. Reconnect power.

#### CAUTION:

TURN OFF ELECTRICITY,  
REMOVE FUSE OR  
SWITCH OFF  
CIRCUIT BREAKER.

THERE IS A RISK OF FIRE  
AND ELECTRICAL SHOCK.  
INSTALL IN ACCORDANCE  
WITH NATIONAL AND  
LOCAL ELECTRICAL  
CODES USING A  
QUALIFIED ELECTRICIAN.

**USE OUTDOORS ONLY.**



# RAB

LIGHTING

©1985-2008 RAB LIGHTING Inc.  
Northvale, New Jersey 07647 USA  
Custom manufactured in China by RAB

### Easy Answers

#### Tech Help Line

Call our experts  
888 RAB-1000

#### Toll Free Fax

Send a fax to RAB  
888 RAB-1232

#### rabweb.com

Visit our website  
for product info

#### e-mail

Answered promptly  
sales@rabweb.com