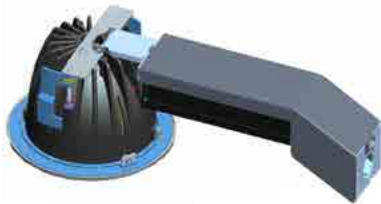
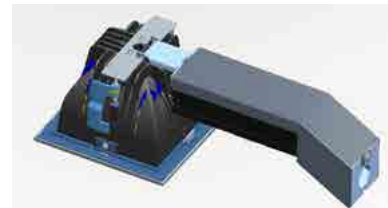


RDLED4 INSTALLATION INSTRUCTIONS

Thank you for buying RAB lighting fixtures. Our goal is to design the best quality products to get the job done right. We'd like to hear your comments. Call the Marketing Department at 888-RAB-1000 or email: marketing@rabweb.com



RDLED4R
Cut-Out Diameter: 5"



RDLED4S
Cut-Out: 5"x5"

IMPORTANT

READ CAREFULLY BEFORE INSTALLING FIXTURE. RETAIN THESE INSTRUCTIONS FOR FUTURE REFERENCE.

RAB fixtures must be wired in accordance with the National Electrical Code and all applicable local codes. Proper grounding is required for safety. THIS PRODUCT MUST BE INSTALLED IN ACCORDANCE WITH THE APPLICABLE INSTALLATION CODE BY A PERSON FAMILIAR WITH THE CONSTRUCTION AND OPERATION OF THE PRODUCT AND THE HAZARDS INVOLVED.

WARNING: Make certain power is OFF before installing or maintaining fixture. No user serviceable parts inside. CEILING CUT OUT MUST BE FREE OF ANY DEBRIS AND BURRS.

FIXTURE MOUNTING

This fixture can be installed with ceiling temperature not exceeding of 40°C and with minimum plenum height of 5½". The fixture can be used to replace an existing unit or for new construction with non-accessible ceiling in place.

1. Prepare the mounting surface with cut out diameter 5" for RDLED4R and 5"x5" for RDLED4S. Cut-out must be accurate not undersized.
2. Remove the dust protector.
3. Loosen the **Junction Box Screw** and open the **Junction Box** (Fig.1). Attach **Supply Wires** into **Junction Box** and connect to the fixture. See wiring section for details.
4. Push up and slide the **Junction Box** section into the ceiling. Be sure the **Mounting Flag** is folded in as the fixture slides through ceiling hole. (Fig. 3)
5. For the Wallwash Model, orient the fixture such that the **Reflector** is in correct orientation. Wall Wash fixtures are provided with swivel arm for maximum adjustability in all construction situations. Look for 'Towards the Wall' label on the fixture. (Fig. 2)
6. To secure fixture into ceiling, swing **Mounting Flag** outward by turning **Flag Screw** clockwise. **Ceiling Flange** should be snug tight against ceiling. **DO NOT OVERTIGHTEN SCREWS.**
7. Insert dust protector to protect the LED & **Reflector** until Trim Assembly is ready to be installed.

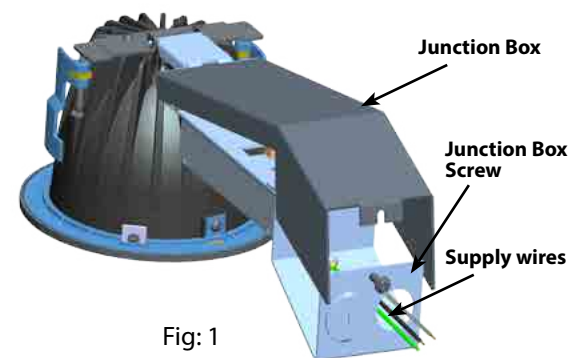


Fig: 1

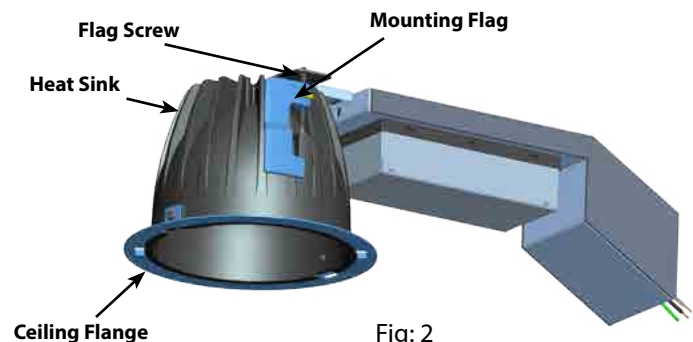


Fig: 2

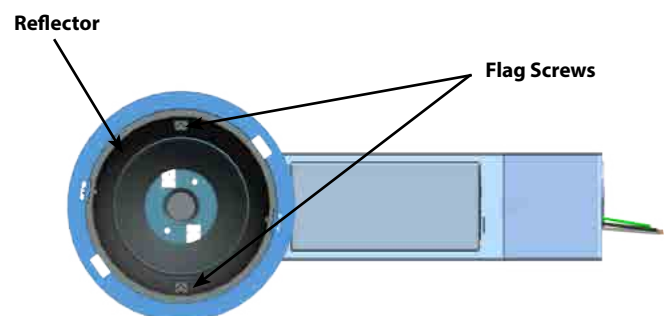


Fig: 3

RDLED4 INSTALLATION INSTRUCTIONS

Thank you for buying RAB lighting fixtures. Our goal is to design the best quality products to get the job done right. We'd like to hear your comments. Call the Marketing Department at 888-RAB-1000 or email: marketing@rabweb.com

TRIM ASSEMBLY MOUNTING

1. Check to ensure the **Trim clip opening** is free of debris and paint.
2. Match the **Trim Spring Clip** to **Spring Clip Opening** and snap the **Trim Assembly** into **Trim clip opening**. Trim ring should be flush to ceiling as shown in Fig. 4.
3. For the Wallwash Model, aim the fixture such that the reflector is in correct orientation. Look for 'Towards the Wall' label on the reflector.

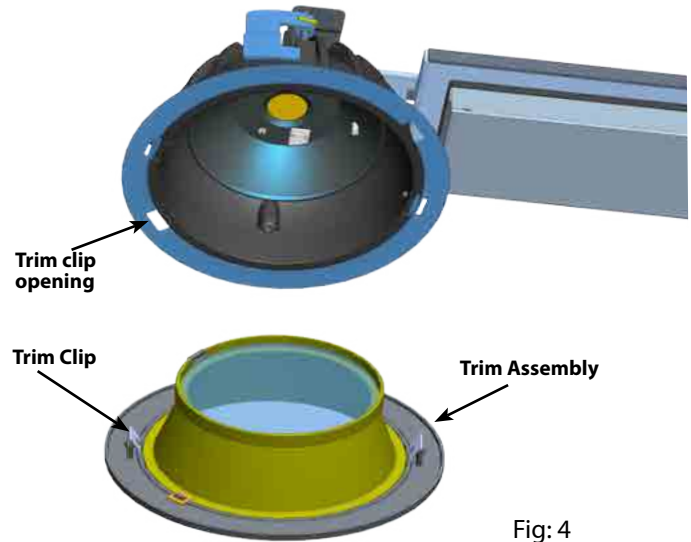


Fig: 4

WIRING

RISK OF FIRE. Universal voltage driver permits operation at 120V thru 277V, 50 or 60 Hz. For Non-Dimming, Electronic Low Voltage (ELV) and Triac Dimming follow the wiring directions in Fig. 5.

1. Connect the GROUND wire from fixture to supply ground.
2. Connect the black fixture lead to the (+) LINE supply lead.
3. Connect the white fixture lead to the (-) COMMON supply lead.

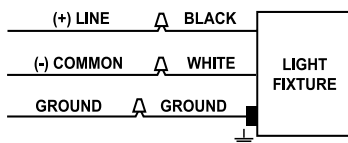


Fig: 5

Lutron L3D Hi-Lume series drivers work with Lutron 3-Wire Control (Fig. 6) or EcoSystem Digital Controls (Fig. 7).

Note: See www.lutron.com for complete instructions and functional compatibility of Lutron drivers with Lutron or other control systems/dimmers.

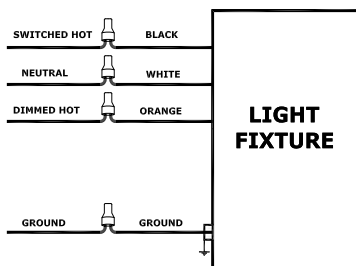


Fig: 6

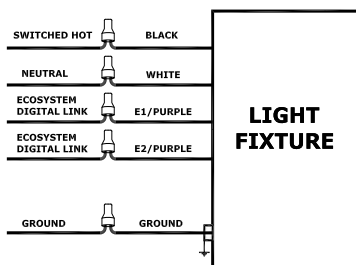


Fig: 7

CLEANING & MAINTENANCE

CAUTION: Be sure fixture temperature is cool enough to touch. Do not clean or maintain while fixture is energized.

1. Do not open fixture to clean the LED. Do not touch the LED.
2. Do not touch reflector, lens or trim cone.
3. Do not clean any fixture surface with wood base cleaning material such as paper towels or tissues. Only use micro fiber cleaning cloth.

TROUBLESHOOTING

1. Check that the line voltage at the fixture is correct. Refer to wiring directions.
2. Is the fixture grounded properly?
3. For questions on compatibility of dimmers purchased separately or existing dimmers, refer to www.rabweb.com
4. If the LED is blinking the fixture may be overheating. Remove the Trim assembly and if the fixture is labeled 'BLINKING LIGHT OF THIS THERMALLY PROTECTED LUMINAIRE MAY INDICATE OVERHEATING' allow the fixture to cool down. Determine cause of overheating and remove. Fixtures with this label have a thermal protector that turns fixture off above a certain temperature. It will automatically restart when cool.

Note: These instructions do not cover all details or variations in equipment nor do they provide for every possible situation during installation, operation or maintenance. RAB cannot troubleshoot Lutron systems and have provided only basic information. See www.lutron.com for complete instructions and functional compatibility of Lutron Drivers with Lutron or other Control systems/dimmers.

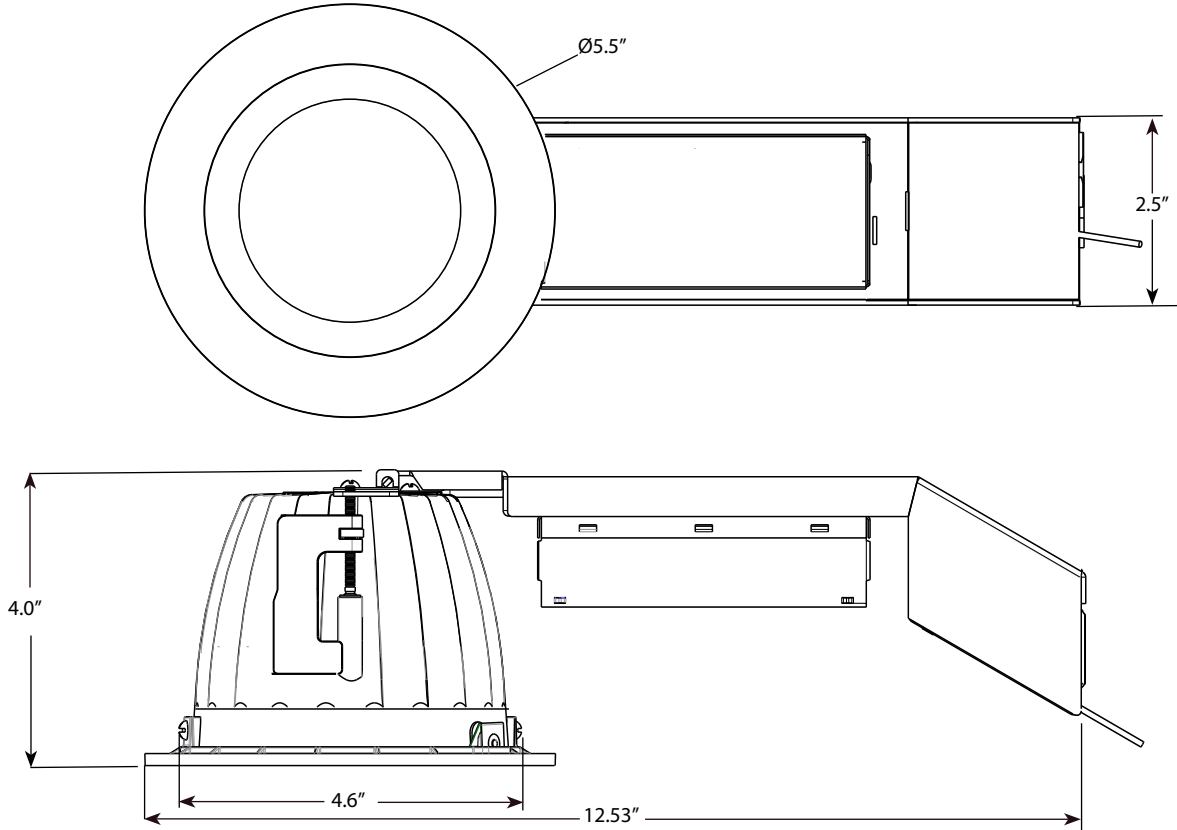
RDLED4 INSTALLATION INSTRUCTIONS



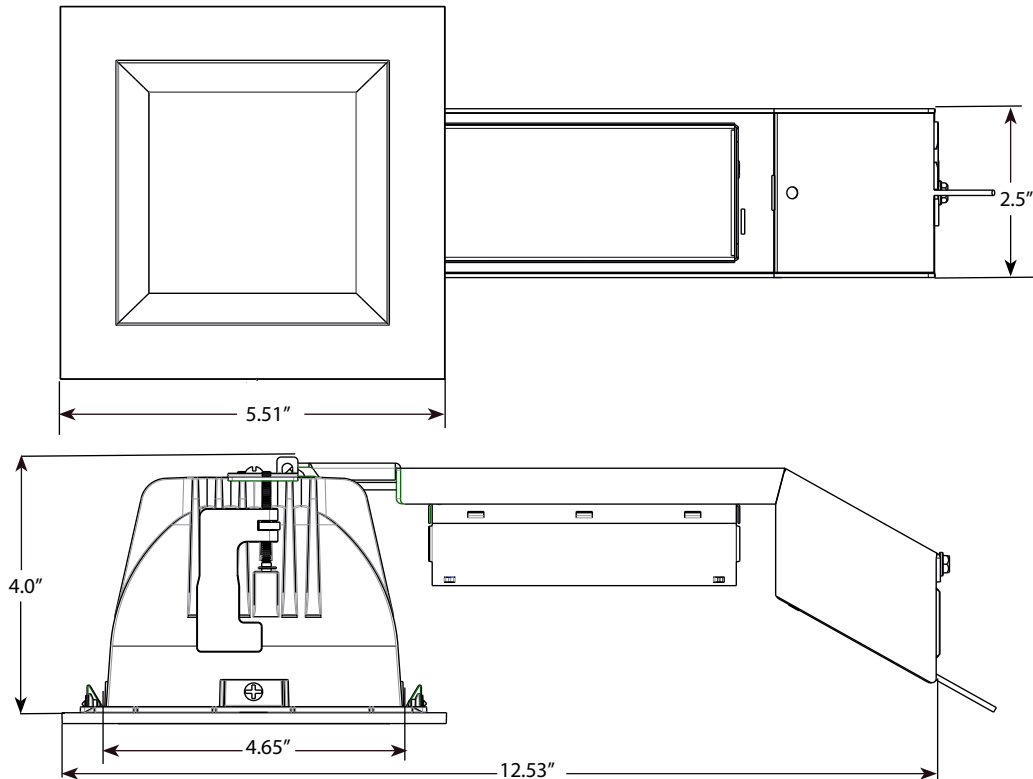
Thank you for buying RAB lighting fixtures. Our goal is to design the best quality products to get the job done right. We'd like to hear your comments. Call the Marketing Department at 888-RAB-1000 or email: marketing@rabweb.com

DIMENSIONAL DRAWING

RDLED4R

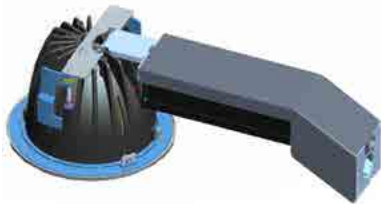


RDLED4S

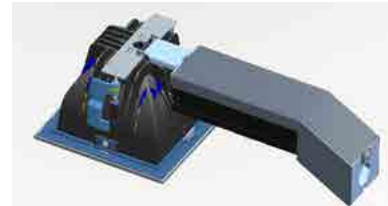


RDLED6 INSTALLATION INSTRUCTIONS

Thank you for buying RAB lighting fixtures. Our goal is to design the best quality products to get the job done right. We'd like to hear your comments. Call the Marketing Department at 888-RAB-1000 or email: marketing@rabweb.com



RDLED6R
Cut-Out Diameter: 7"



RDLED6S
Cut-Out: 7"x7"

IMPORTANT

READ CAREFULLY BEFORE INSTALLING FIXTURE. RETAIN THESE INSTRUCTIONS FOR FUTURE REFERENCE.

RAB fixtures must be wired in accordance with the National Electrical Code and all applicable local codes. Proper grounding is required for safety. THIS PRODUCT MUST BE INSTALLED IN ACCORDANCE WITH THE APPLICABLE INSTALLATION CODE BY A PERSON FAMILIAR WITH THE CONSTRUCTION AND OPERATION OF THE PRODUCT AND THE HAZARDS INVOLVED.

WARNING: Make certain power is OFF before installing or maintaining fixture. No user serviceable parts inside.

CEILING CUT OUT MUST BE FREE OF ANY DEBRIS AND BURRS.

FIXTURE MOUNTING

This fixture can be installed with ceiling temperature not exceeding of 40°C and with minimum ceiling height of 5¹/₂". The fixture can be used to replace an existing unit or for new construction with non-accessible ceiling in place.

1. Prepare the mounting surface with cut out diameter 7" for RDLED6R and 7"x7" for RDLED6S. Cut-out must be accurate not undersized.
2. Remove the dust protector.
3. Loosen the **Junction Box Screw** and open the **Junction Box** (Fig.1). Attach **Supply Wires** into **Junction Box** and connect to the fixture. See wiring section for details.
4. Push up and slide the **Junction Box** section into the ceiling. Be sure the **Mounting Flag** is folded in as the fixture slides through ceiling hole. (Fig. 3)
5. For the Wallwash Model, orient the fixture such that the **Reflector** is in correct orientation. Wall Wash fixtures are provided with swivel arm for maximum adjustability in all construction situations. Look for 'Towards the Wall' label on the fixture. (Fig. 2)
6. To secure fixture into ceiling, swing **Mounting Flag** outward by turning **Flag Screw** clockwise. **Ceiling Flange** should be snug tight against ceiling. **DO NOT OVERTIGHTEN SCREWS.**
7. Insert dust protector to protect the LED & **Reflector** until Trim Assembly is ready to be installed.

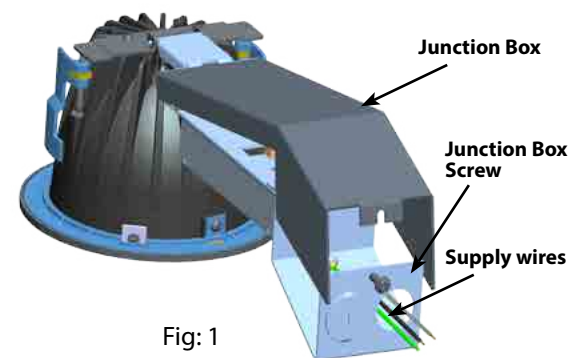


Fig: 1

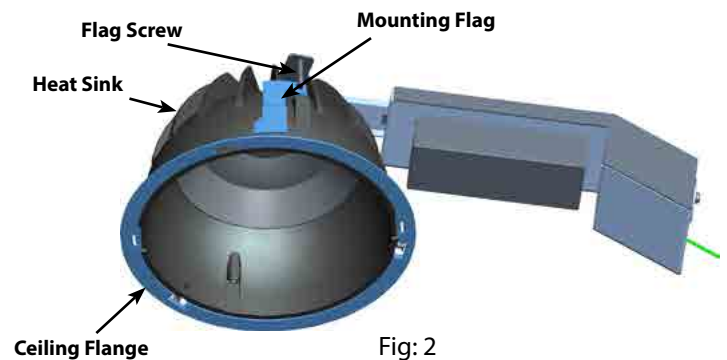


Fig: 2

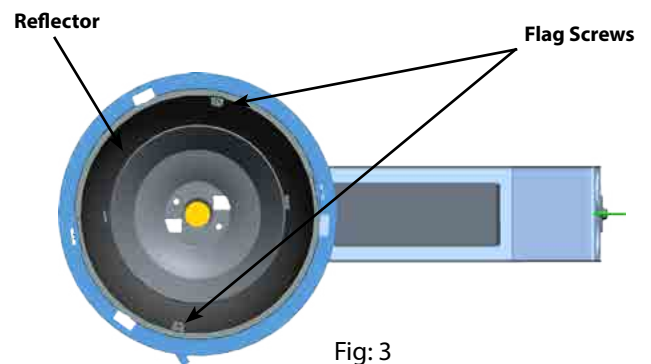


Fig: 3

RDLED6 INSTALLATION INSTRUCTIONS



Thank you for buying RAB lighting fixtures. Our goal is to design the best quality products to get the job done right. We'd like to hear your comments. Call the Marketing Department at 888-RAB-1000 or email: marketing@rabweb.com

TRIM ASSEMBLY MOUNTING

1. Check to ensure the **Trim clip opening** is free of debris and paint.
2. Match the **Trim Spring Clips** (3) to **Spring Clip Openings**. **Trim Ring** should be flush to ceiling.
Note: For round fixtures, Trim Spring Clip Opening Pattern is not Symmetrical. Trim Ring must be orientated as in Fig. 4. Install Trim Spring Clip marked with red dot on Trim Ring into the Spring Clip Opening marked with red dot as in Fig. 4.
3. For the Wallwash Model, aim the fixture such that the reflector is in correct orientation. Look for 'Towards the Wall' label on the reflector.

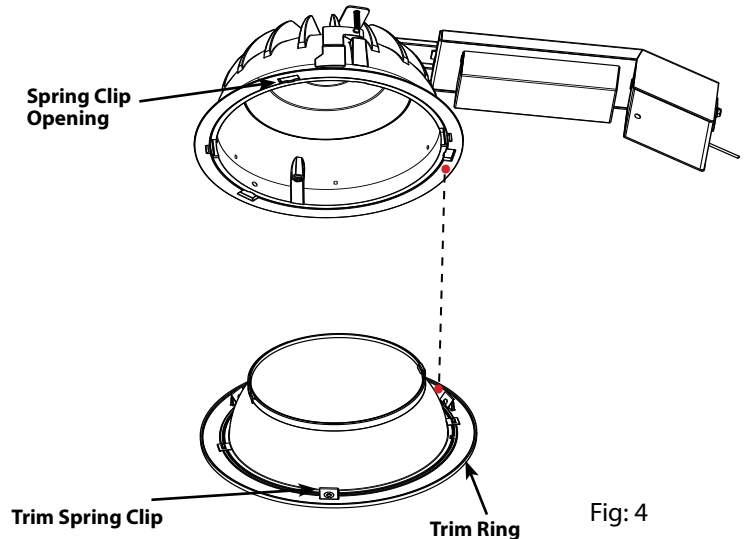


Fig: 4

WIRING

RISK OF FIRE. Universal voltage driver permits operation at 120V thru 277V, 50 or 60 Hz. For Non-Dimming, Electronic Low Voltage (ELV) and Triac Dimming follow the wiring directions in Fig. 5.

1. Connect the GROUND wire from fixture to supply ground.
2. Connect the black fixture lead to the (+) LINE supply lead.
3. Connect the white fixture lead to the (-) COMMON supply lead.

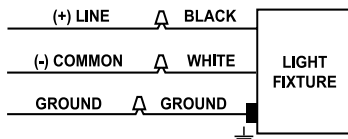


Fig: 5

Lutron L3D Hi-Lume series drivers work with Lutron 3-Wire Control (Fig. 6) or EcoSystem Digital Controls (Fig. 7).

Note: See www.lutron.com for complete instructions and functional compatibility of Lutron drivers with Lutron or other control systems/dimmers.

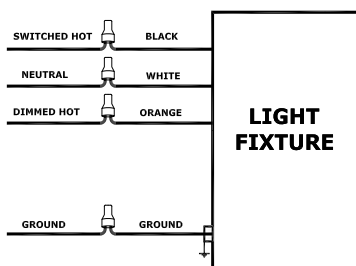


Fig: 6

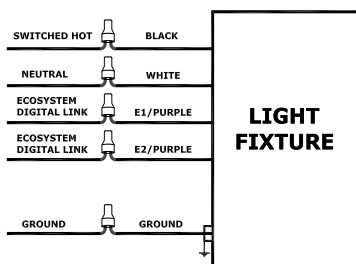


Fig: 7

CLEANING & MAINTENANCE

CAUTION: Be sure fixture temperature is cool enough to touch. Do not clean or maintain while fixture is energized.

1. Do not open fixture to clean the LED. Do not touch the LED.
2. Do not touch reflector, lens or trim cone.
3. Do not clean any fixture surface with wood base cleaning material such as paper towels or tissues. Only use micro fiber cleaning cloth.

TROUBLESHOOTING

1. Check that the line voltage at the fixture is correct. Refer to wiring directions.
2. Is the fixture grounded properly?
3. For questions on compatibility of dimmers purchased separately or existing dimmers, refer to www.rabweb.com
4. If the LED is blinking the fixture may be overheating. Remove the Trim assembly and if the fixture is labeled 'BLINKING LIGHT OF THIS THERMALLY PROTECTED LUMINAIRE MAY INDICATE OVERHEATING' allow the fixture to cool down. Determine cause of overheating and remove. Fixtures with this label have a thermal protector that turns fixture off above a certain temperature. It will automatically restart when cool.

Note: These instructions do not cover all details or variations in equipment nor do they provide for every possible situation during installation, operation or maintenance. RAB cannot troubleshoot Lutron systems and have provided only basic information. See www.lutron.com for complete instructions and functional compatibility of Lutron Drivers with Lutron or other Control systems/dimmers.

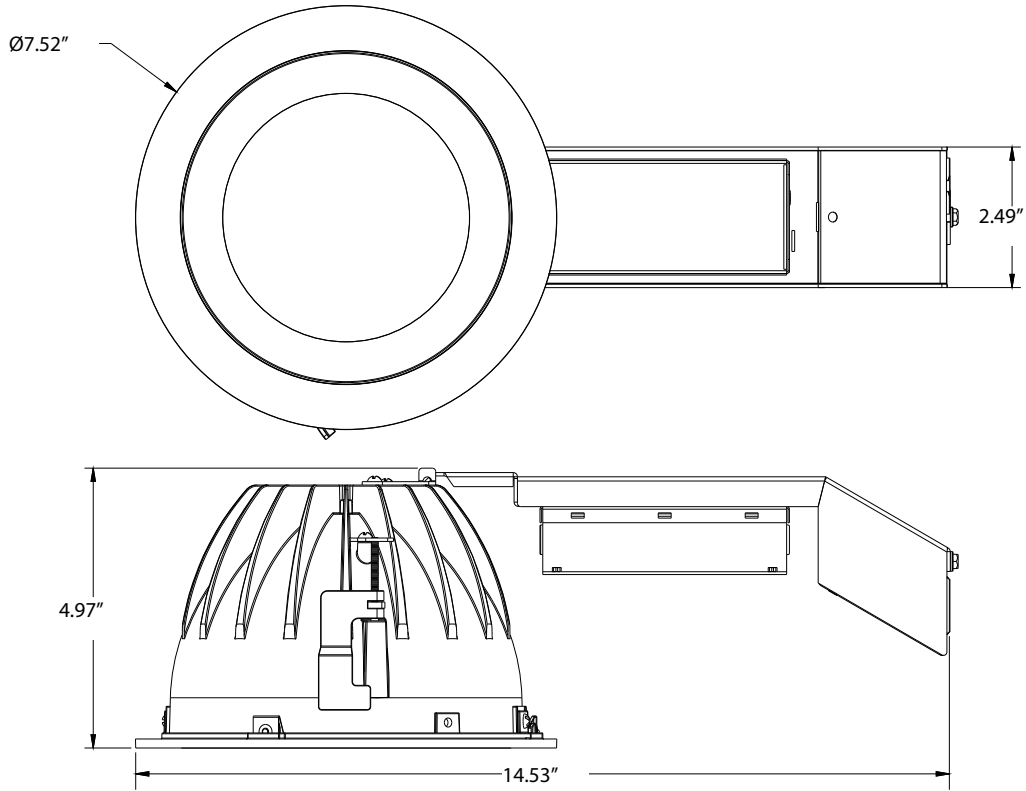
RDLED6 INSTALLATION INSTRUCTIONS



Thank you for buying RAB lighting fixtures. Our goal is to design the best quality products to get the job done right. We'd like to hear your comments. Call the Marketing Department at 888-RAB-1000 or email: marketing@rabweb.com

DIMENSIONAL DRAWING

RDLED6R



RDLED6S

