

INSTRUCTIONS

SKEET® XL INSTALLATION

RAB®

RAB Lighting is committed to creating high-quality, affordable, well-designed and energy-efficient LED lighting and controls that make it easy for electricians to install and end users to save energy. We'd love to hear your comments. Please call the Marketing Department at 888-RAB-1000 or email: marketing@rablighting.com



SKEET XL
Standard



SKEET XL
Decorative Ring

IMPORTANT

READ CAREFULLY BEFORE INSTALLING FIXTURE. RETAIN THESE INSTRUCTIONS FOR FUTURE REFERENCE.

RAB fixtures must be wired in accordance with the National Electrical Code and all applicable local codes. Proper grounding is required for safety. THIS PRODUCT MUST BE INSTALLED IN ACCORDANCE WITH THE APPLICABLE INSTALLATION CODE BY A PERSON FAMILIAR WITH THE CONSTRUCTION AND OPERATION OF THE PRODUCT AND THE HAZARDS INVOLVED.

WARNING: Make certain power is OFF before installing or maintaining fixture. No user serviceable parts inside.

CAUTION: For proper weatherproof function all gaskets must be seated properly and all screws inserted and tightened firmly. Apply weatherproof silicone sealant around the edge of the ceiling mounting box and/or junction box. This is especially important with an uneven ceiling surface. Silicone all plugs and unused conduit entries.

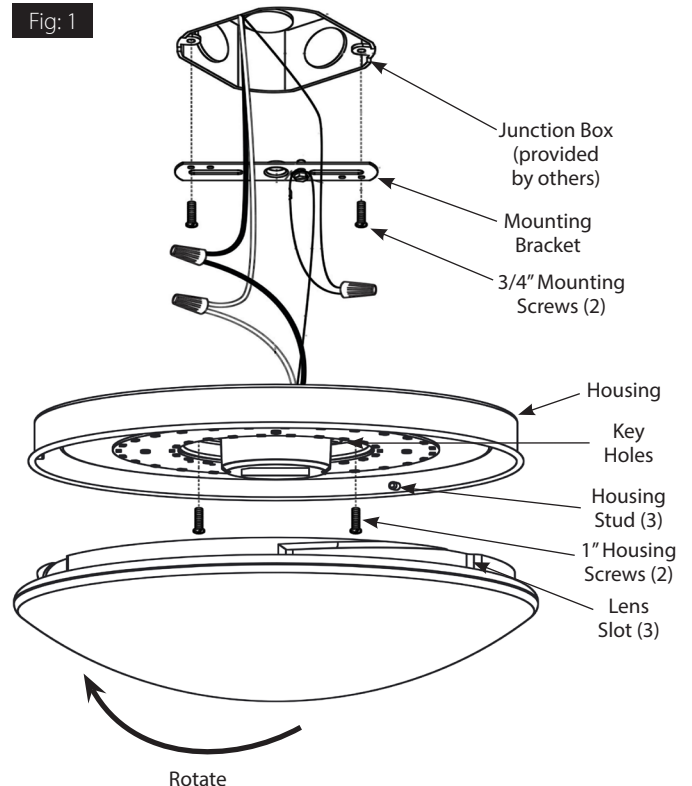
CLOSET MOUNTING: In accordance with NEC 410.16(C), the minimum clearance between luminaires installed in clothes closets and the nearest point of a closet storage space shall be no less than 12 inches, when mounting luminaire on the wall above the door or on the ceiling.

CEILING/WALL MOUNTING

The fixture is suitable only for INDOOR application for damp locations with recessed junction box in ceiling/ wall.

Mount to a recessed 4" octagonal junction box as follows:

1. Mount **Mounting Bracket** to **Junction Box** (*not supplied*) with (2) 3/4" **Bracket Screws** provided.
2. Pull supply wires from **Junction Box** (*not supplied*) as shown in **Fig. 1**. Use appropriate wire connectors as required by code to make electrical splices to fixture leads.
3. Once connections are made push all wires back into **Junction Box** (*not supplied*). Be careful not to pinch wires.
WARNING: To prevent wiring damage or abrasion, do not expose wiring to edges of sharp objects.
4. Mount **Housing** to **Mounting Bracket** using **Key Holes** with (2) 1" **Housing Screws** provided.
5. Align **Lens Slot** with (3) **Housing Studs** and rotate **Lens** clockwise on **Housing** to lock in place.



INSTRUCTIONS

SKEET® XL INSTALLATION

RAB®

RAB Lighting is committed to creating high-quality, affordable, well-designed and energy-efficient LED lighting and controls that make it easy for electricians to install and end users to save energy. We'd love to hear your comments. Please call the Marketing Department at 888-RAB-1000 or email: marketing@rablighting.com

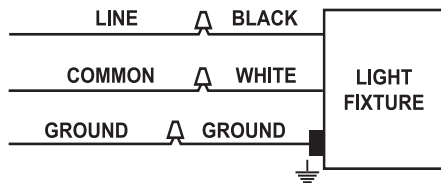
WIRING

WARNING - RISK OF FIRE.

Fixture operates at 120V AC 60Hz. For TRIAC Dimming follow the wiring directions in **Fig. 2**

1. Connect the black fixture lead to the **LINE** supply lead.
2. Connect the white fixture lead to the **COMMON** supply lead.
3. Connect the bare copper **GROUND** wire from fixture to mounting bracket screw and to supply ground.

Fig: 2



MAINTENANCE

CAUTION: Be sure fixture temperature is cool enough to touch. Do not clean or maintain while fixture is energized.

1. Lens should be washed in a solution of warm water and any mild, non abrasive household detergent, rinsed with clean water and wiped dry.
2. Do not open fixture to clean the LED. Do not touch the LED.

TROUBLESHOOTING

1. Is the fixture grounded properly?
2. If the charging indicator light does not illuminate after pressing the test button, check if battery is connected properly.

Note: These instructions do not cover all details or variations in equipment nor do they provide for every possible situation during installation, operation or maintenance.

RAB®
© 2020 RAB LIGHTING Inc.
Northvale, New Jersey 07647 USA

Easy Answers

rablighting.com
Visit our website for product info

Tech Help Line
Call our experts: 888 722-1000

e-mail
Answered promptly - sales@rablighting.com

Free Lighting Layouts
Answered online or by request

SKEETXL-IN-0120
73450-RAB

RAB WARRANTY: RAB's warranty is subject to all terms and conditions found at rablighting.com/warranty