

INSTRUCTIONS

RBAY17S/E SURFACE MOUNT KIT INSTALLATION

RAB®

RAB Lighting is committed to creating high-quality, affordable, well-designed and energy-efficient LED lighting and controls that make it easy for electricians to install and end users to save energy. We'd love to hear your comments. Please call the Marketing Department at 888-RAB-1000 or email: marketing@rablighting.com



SM-EM-RBAY17S

IMPORTANT

READ CAREFULLY BEFORE INSTALLING FIXTURE. RETAIN THESE INSTRUCTIONS FOR FUTURE REFERENCE.

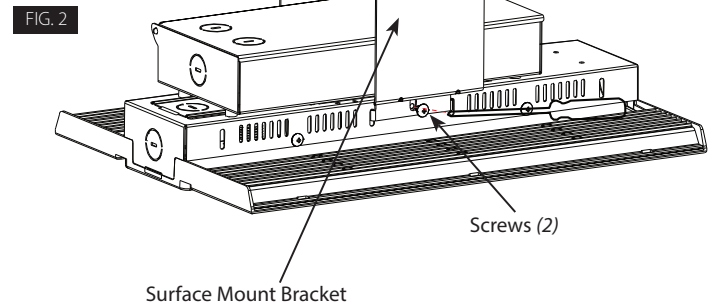
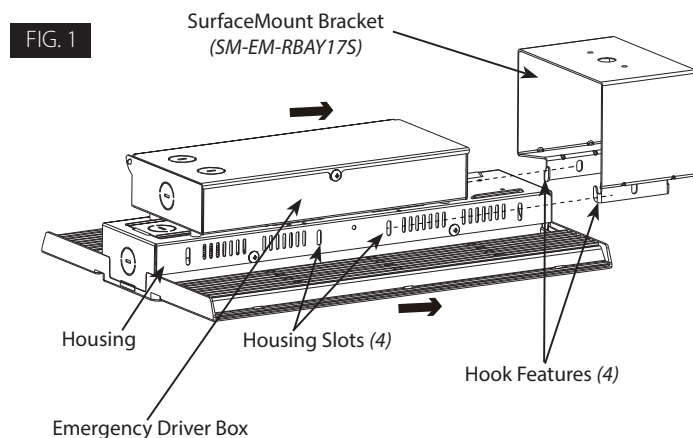
RAB fixtures must be wired in accordance with the National Electrical Code and all applicable local codes. Proper grounding is required for safety. THIS PRODUCT MUST BE INSTALLED IN ACCORDANCE WITH THE APPLICABLE INSTALLATION CODE BY A PERSON FAMILIAR WITH THE CONSTRUCTION AND OPERATION OF THE PRODUCT AND THE HAZARDS INVOLVED.

WARNING: Make certain power is OFF before installing or maintaining fixture.

SURFACE MOUNT BRACKET INSTALLATION (SMALL MODEL ONLY)

(Accessory ordered separately - Model # SM-EM-RBAY17S)

1. Install **Surface Mount Bracket** to mounting surface with suitable hardware (*not included*).
2. Slide the fixture with the **Emergency Driver Box** into the **Surface Mount Bracket** in the direction of arrows as shown in Fig. 1.
3. Fasten the **Surface Mount Bracket** onto **Housing** by locking it into the **Housing Slots** using the **Hook Features**.
4. Secure the **Surface Mount Bracket** with (2) two M4x6 **Screws** (*provided*) as shown in Fig. 2.



Note: These instructions do not cover all details or variations in equipment nor do they provide for every possible situation during installation, operation or maintenance.

RAB®

© 2022 RAB LIGHTING Inc.

Easy Answers

rablighting.com
Visit our website for product info

Tech Help Line
Call our experts: 888 722-1000

e-mail
Answered promptly - sales@rablighting.com

Free Lighting Layouts
Answered online or by request