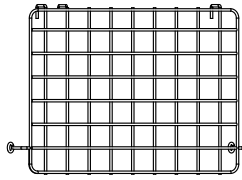


INSTRUCTIONS

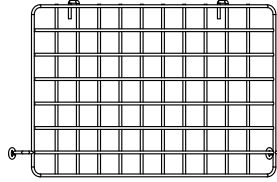
X17™ FLOODLIGHT WIRE GUARD INSTALLATION



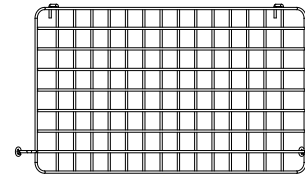
RAB Lighting is committed to creating high-quality, affordable, well-designed and energy-efficient LED lighting and controls that make it easy for electricians to install and end users to save energy. We'd love to hear your comments. Please call the Marketing Department at 888-RAB-1000 or email: marketing@rablighting.com



GDX17-205



GDX17-330



GDX17-450

IMPORTANT

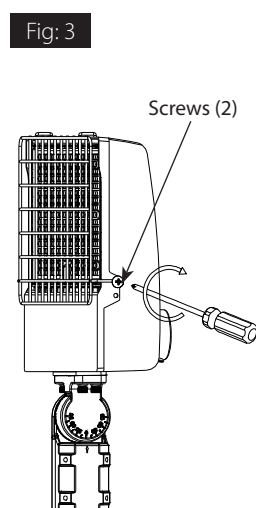
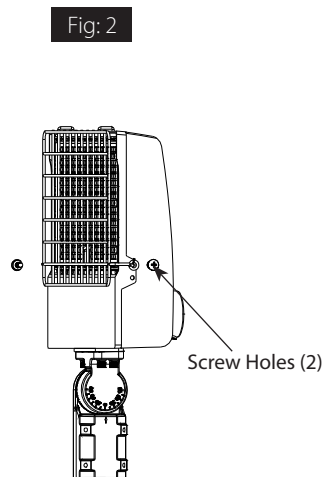
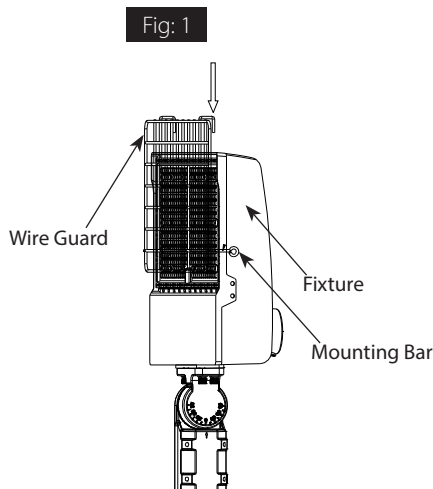
READ CAREFULLY BEFORE INSTALLING FIXTURE. RETAIN THESE INSTRUCTIONS FOR FUTURE REFERENCE.

RAB fixtures must be wired in accordance with the National Electrical Code and all applicable local codes. Proper grounding is required for safety. THIS PRODUCT MUST BE INSTALLED IN ACCORDANCE WITH THE APPLICABLE INSTALLATION CODE BY A PERSON FAMILIAR WITH THE CONSTRUCTION AND OPERATION OF THE PRODUCT AND THE HAZARDS INVOLVED.

WARNING: Make certain power is OFF before installing or maintaining fixture.

INSTALLATION

1. Wire Guard mounts with (2) Screws and Mounting Bar as shown in Fig. 1. Hardware is provided.
2. Mount Wire Guard onto Fixture. Line up Mounting Bar with pre-existing Screw Holes in Fixture frame as shown in Fig. 2.
3. Tighten (2) Screws to secure Wire Guard and Mounting Bar to Fixture as shown in Fig. 3.



Note: These instructions do not cover all details or variations in equipment nor do they provide for every possible situation during installation, operation or maintenance.



Easy Answers

© 2021 RAB LIGHTING Inc.
X17 Wire Guard IN-0821
GDX17 205W/330W/450W
P-100043

rablighting.com
Visit our website for product info

Tech Help Line
Call our experts: 888 722-1000

e-mail
Answered promptly - sales@rablighting.com

Free Lighting Layouts
Answered online or by request