

# Smart LED High Bay



Connected via Lightcloud HUB or Gateway.



PROJECT:

DATE:

TYPE:

PREPARED BY:



## KEY FEATURES

### Wireless Dimming

Dim individual lights or use scenes to instantly adjust your light levels for any area in your building. Combine dimming with occupancy, daylight harvesting or scheduling to layer in more energy savings. High-end trimming ensures that you always save a little bit off the top.

### Remote Control

Use mobile device or computer to make adjustments from remote locations near or far.

### Programmable Schedules

Program different lighting schedules and scenes across multiple zones based on shifts or the type of work occurring throughout the day. Tweak schedules from your smartphone, or just call us and we'll do it for you.

### Power Monitoring

Measure, track and report real and estimated power usage over time. Use analytics to identify and implement ways to curtail energy usage.

### Demand Response

Device is capable of shedding load. This Smart Lamp is power monitoring capable. Lower power consumption to a preconfigured setting.

## TECHNICAL SPECIFICATIONS

### LED CHARACTERISTICS

#### LEDs

Long-life, high-efficacy and high-output LEDs.

#### Color Uniformity

RAB's range of CCT (Correlated Color Temperature) follows the guidelines of the American National Standard for Specifications for the Chromaticity of Solid State Lighting (SSL) Products, ANSI C78.377-2017.

#### Color Stability

LED color temperature is warranted to shift no more than 200K in CCT over a 5-year period.

#### L70 Lifespan

50,000-Hour LED lifespan based on IES LM-80 results and TM-21 calculations.

#### CRI

80 CRI, renders colors beautifully.

#### CCT

5000K.

### COMPLIANCE

#### UL Listed

Suitable for damp locations.

#### CEC Status

Lawful for sale in California.

#### FCC

This device complies with Part 15 of the FCC Rules.

#### DLC Certified

DLC Standard compliant with V5.1.

## PERFORMANCE SPECIFICATIONS

Shape	Input Wattage	Equivalent	Lumens (Nominal)	Efficacy	CRI	Color Temp	Input Voltage	Power Factor	Dimmable	Standby Power
High Bay	115W	400W Metal Halide	15800 lumens	137 lm/W	80	5000K	100-277V	0.9	No	.2W

## TECHNICAL SPECIFICATIONS (CONTINUED)

### CONSTRUCTION

#### Ambient Operating Temperature

-30°C (-22°F) - 60°C (140°F)

#### Enclosed/Open Fixture Rated

May be used in enclosed and open fixtures.

#### Housing

White finish and aluminum heatsink which allows for superior heat dissipation.

#### Installation Type

Type B, Ballast Bypass wire directly to line voltage.

#### Green Technology

Mercury and UV free. RoHS-compliant components.

#### Base Type

EX39 Exclusionary Mogul Base.

#### Burning Position

Base up (Keep the Post top as Universal)

#### Light Distribution

120 degree beam angle with 10% light output toward the ceiling which eliminates "cave effect".

### ELECTRICAL

#### Power Factor

>0.9

#### THD

50/60 Hz

#### Surge Protection

4kV

#### Driver

Constant Current, 120V 1.277A

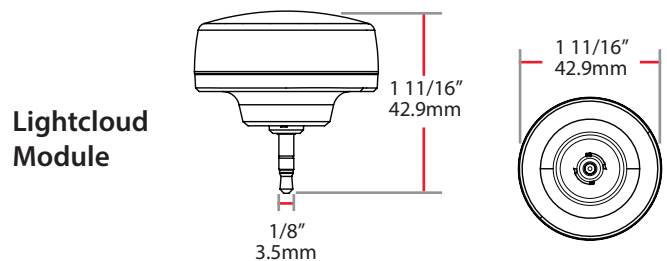
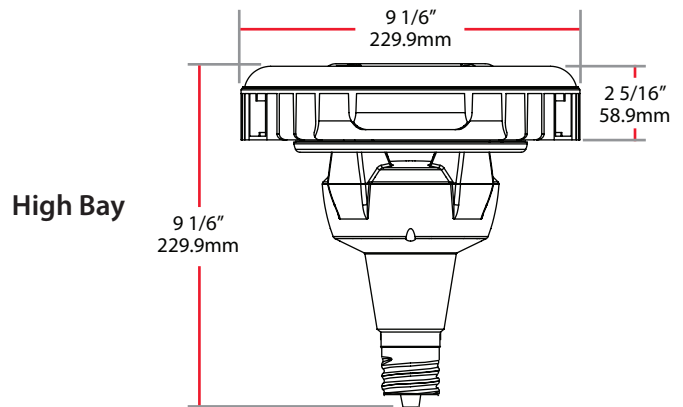
### OTHER

#### Warranty

RAB warrants that our LED products will be free from defects in materials and workmanship for a period of five (5) years from the date of delivery to the end user, including coverage of light output, color stability, driver performance and fixture finish.

RAB's warranty is subject to all terms and conditions found at [rablighting.com/warranty](http://rablighting.com/warranty).

## DIMENSIONS



	QTY	LENGTH X WIDTH X HEIGHT (in)
CASE	4	20.5 x 20.5 x 10 (in)
PALLET	16	22.4 x 42.9 x 44.9 (in)

## MINIMUM COMPARTMENT

High Bay	Lamp Quantity	Length x Width x Height (in)
	1	9.8 x 9.8 x 9.1 (in)

## APPLICATIONS



INDUSTRIAL



WAREHOUSE



RETAIL



EDUCATION

## CONTROL SPECIFICATIONS

### LIGHTCLOUD® CONTROLLER BUILT IN

**Wireless switching/dimming/CCT**, power monitoring with a smaller footprint for 3A applications.

**Easy setup** - simply screw in lamp and power on, confirm device connectivity and call **844-LIGHTCLOUD**

**Small profile** for concealed installations.

**Cloud-based management** - no software to install or maintain.

**Connects to Lightcloud Gateway** and other Lightcloud devices.

**Connects** via a secure, encrypted, and self-healing 2.4 GHz wireless mesh network.

**Repeater Mode** to extend range of wireless mesh network.

**If power to Controller is lost**, notification is shown in Lightcloud application.

**If communication is lost**, Controller can fall back to a customizable emergency state.



Plug in Lightcloud controller

## ORDERING MATRIX

Product	Size	Installation Orientation	Base	CRI/CCT	Ballast Installation	Application	Options
<b>HID</b>	115 115W	V Vertical	EX39 Exclusionary Mogul Base	850 80CRI, 5000K	BYP Ballast Bypass (UL Type B)	HB High Bay	/LC Lightcloud Controller /LCS Lightcloud PIR Sensor /LCS/M Lightcloud Microwave Sensor