

Smart LED Post Top



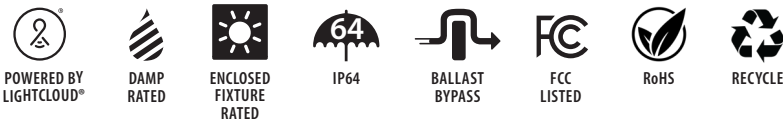
Connected via Lightcloud HUB or Gateway.

PROJECT:

DATE:

TYPE:

PREPARED BY:



TECHNICAL SPECIFICATIONS

LED CHARACTERISTICS

- LEDs**
Long-Life, high-efficacy and high-output LEDs.
- Color Uniformity**
RAB's range of CCT (Correlated Color Temperature) follows the guidelines of the American National Standard for Specifications for the Chromaticity of Solid State Lighting (SSL) Products, ANSI C78.377-2017.
- Color Stability**
LED color temperature is warranted to shift no more than 200K in CCT over a 5-year period.
- L70 Lifespan**
50,000-Hour LED lifespan based on IES LM-80 results and TM-21 calculations.
- CRI**
80 CRI, renders colors beautifully.
- CCT**
5000K.

COMPLIANCE

- UL Listed**
Suitable for damp locations.
- CEC Status**
Lawful for sale in California.
- FCC**
This device complies with Part 15 of the FCC Rules.
- DLC Certified**
DLC Standard compliant with V5.1.

KEY FEATURES

- Wireless Dimming**
Dim individual lights or use scenes to instantly adjust your light levels for any area in your building. Combine dimming with occupancy, daylight harvesting or scheduling to layer in more energy savings. High-end trimming ensures that you always save a little bit off the top.
- Remote Control**
Use mobile device or computer to make adjustments from remote locations near or far.
- Programmable Schedules**
Program different lighting schedules and scenes across multiple zones based on shifts or the type of work occurring throughout the day. Tweak schedules from your smartphone, or just call us and we'll do it for you.
- Power Monitoring**
Measure, track and report real and estimated power usage over time. Use analytics to identify and implement ways to curtail energy usage.
- Demand Response**
Device is capable of shedding load. This Smart Lamp is power monitoring capable. Lower power consumption to a preconfigured setting.

PERFORMANCE SPECIFICATIONS

| Shape | Input Wattage | Equivalent | Lumens (Nominal) | Efficacy | CRI | Color Temp | Input Voltage | Power Factor | Dimmable | Standby Power |
|----------|---------------|-------------------|------------------|----------|-----|------------|---------------|--------------|-----------|---------------|
| Post Top | 54W | 200W Metal Halide | 8100 lumens | 82 lm/W | 80 | 5000K | 100-277V | 0.9 | 1% - 100% | .2W |

TECHNICAL SPECIFICATIONS (CONTINUED)

CONSTRUCTION

Ambient Operating Temperature

-30°C (-22°F) - 60°C (140°F)

Enclosed/Open Fixture Rated

May be used in enclosed and open fixtures.

Housing

White finish and aluminum heatsink which allows for superior heat dissipation.

Installation Type

Type B, Ballast Bypass wire directly to line voltage.

Green Technology

Mercury and UV free. RoHS-compliant components.

Base Type

EX39 Exclusionary Mogul Base.

Burning Position

Base up (Keep the Post top as Universal)

Light Distribution

360 degree beam angle with 10% light output toward the ceiling which eliminates "cave effect".

ELECTRICAL

Power Factor

>0.9

THD

50/60 Hz

Surge Protection

4kV

Driver

Constant Current, 120V .6A

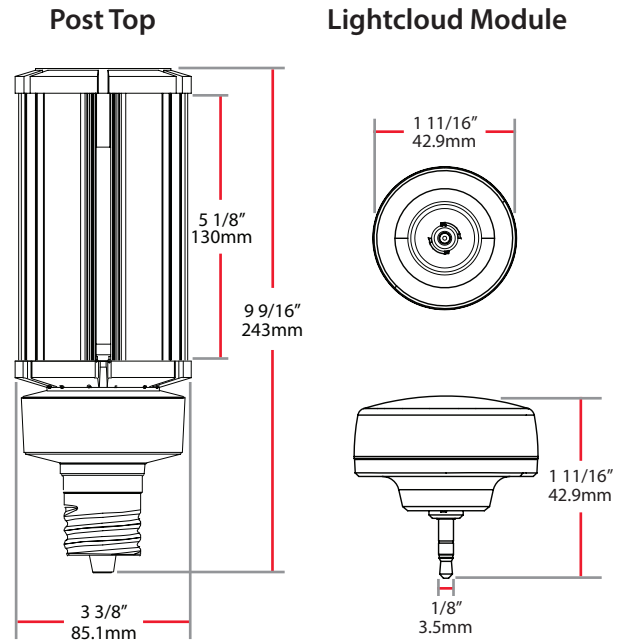
OTHER

Warranty

RAB warrants that our LED products will be free from defects in materials and workmanship for a period of five (5) years from the date of delivery to the end user, including coverage of light output, color stability, driver performance and fixture finish.

RAB's warranty is subject to all terms and conditions found at rablighting.com/warranty.

DIMENSIONS



| | QTY | LENGTH X WIDTH X HEIGHT (in) |
|--------|-----|------------------------------|
| CASE | 12 | 15.6 x 11.8 x 11.4 (in) |
| PALLET | 432 | 37.4 x 33.1 x 39 (in) |

MINIMUM COMPARTMENT

| High Bay | Lamp Quantity | Length x Width x Height (in) |
|----------|---------------|------------------------------|
| | 1 | 7.9 x 7.9 x 10.6 (in) |

APPLICATIONS



INDUSTRIAL



PARKING
STRUCTURE

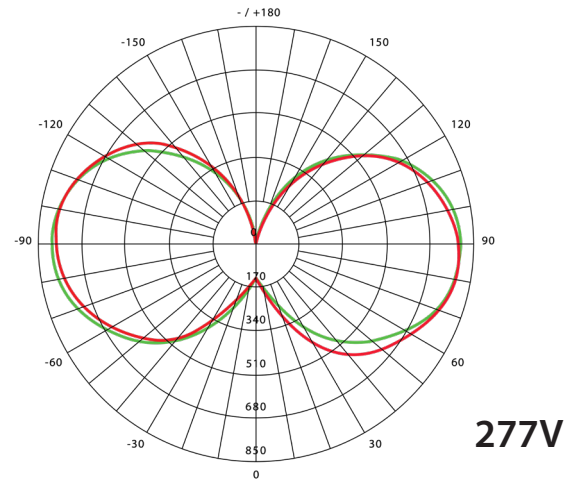
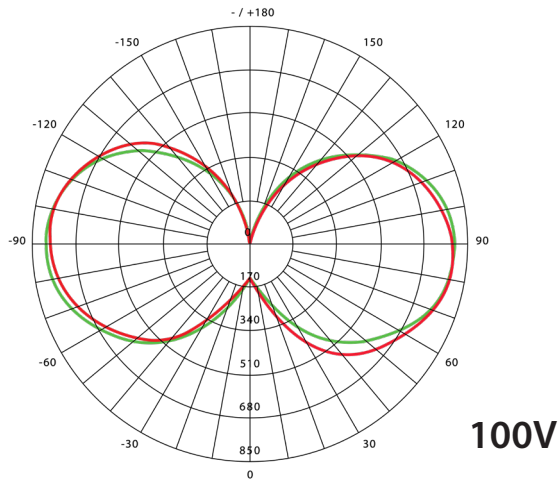


MUNICIPAL



EDUCATION

PHOTOMETRICS



CONTROL SPECIFICATIONS

LIGHTCLOUD® CONTROLLER BUILT IN

Wireless switching/dimming/CCT, power monitoring with a smaller footprint for 3A applications.

Easy setup - simply screw in lamp and power on, confirm device connectivity and call **844-LIGHTCLOUD**

Small profile for concealed installations.

Cloud-based management - no software to install or maintain.

Connects to Lightcloud Gateway and other Lightcloud devices.

Connects via a secure, encrypted, and self-healing 2.4 GHz wireless mesh network.

Repeater Mode to extend range of wireless mesh network.

If power to Controller is lost, notification is shown in Lightcloud application.

If communication is lost, Controller can fall back to a customizable emergency state.



Plug in Lightcloud controller

ORDERING MATRIX

| Product | Size | Base | CRI/CCT | Ballast Installation | Application | Options |
|------------|--------|------------------------------|------------------|--------------------------------|-------------|-----------------------------------------------------------------------------------------------|
| HID | 54 54W | EX39 Exclusionary Mogul Base | 850 80CRI, 5000K | BYP Ballast Bypass (UL Type B) | PT Post Top | /LC Lightcloud Controller /LCS Lightcloud PIR Sensor /LCS/M Lightcloud Microwave Sensor |