

A17 Ultra-Economy Area Light



3-Way Adjustable



A17 70W-150W



100,000 HOURS



3-WAY ADJUSTABLE



FIELD ADJUSTABLE



IP RATING



WET RATED

PROJECT:

DATE:

TYPE:

PREPARED BY:



KEY FEATURES

- Ultra-economy arealights with field-adjustable wattages and CCTs:
Available wattages:
A17-70W: 70/60/50W
A17-100W: 100/80/60W
A17-150W: 150/120/100W
A17-200W: 200/180/160W
A17-300W: 300/240/200W
A17-375W: 375/300/240W
A17-480W: 480/400/320W
- Adjustable CCT: 3000K/4000K/5000K
- Voltage ratings: 120-277V & 480V
- 3-way adjustable model also available:
- Selectable CCT: (3000K/4000K/5000K)
- Selectable wattages: 150W/100W/70W and 300W/240W/200W
- Selectable **photocell** that can be turned on and off
- Voltage ratings: 120-277V
- Suitable for **wet locations**

TECHNICAL SPECIFICATIONS

COMPLIANCE

UL Listed

Suitable for wet locations

DLC Listed

This product is listed by Design Lights Consortium (DLC) as an ultra-efficient premium product that qualifies for the highest tier of rebates from DLC Member Utilities. Designed to meet DLC 5.1 requirements.

IP Rating

Ingress protection rating of IP65 for dust and water

LED CHARACTERISTICS

LEDs

Long-life, high-efficacy, surface-mount LEDs

Color Uniformity

RAB's range of Correlated Color Temperature follows the guidelines of the American National Standards for Specifications for the Chromaticity of Solid State Lighting (SLL) Products, ANSI C78.377-2017.

CONSTRUCTION

Cold Weather Starting

Minimum starting temperature is -40°C (-40°F)

Maximum Ambient Temperature

Suitable for use in up to 50°C (122°F)

Housing

Die-cast aluminum housing, lens frame and mounting arm

Mounting

Universal mounting arm compatible for hole spacing patterns from 1" to 5 1/2" center to center. Round Pole Adaptor plate included as a standard. Easy slide and lock to mount fixture with ease. Round pole diameter must be >4" to mount fixtures at 90° orientation.

Roadway arm, compatible with all wattages, sold separately.

Slipfitter with 180° pivot available for mounting on 2 3/8" tenon. Slipfitter only available for 150W.

Lens

Polycarbonate lens

Gasket

Silicone

Green Technology

Mercury and UV free. RoHS-compliant components.

Finish

Formulated for high durability and long lasting color.

A17 Ultra-Economy Area Light



TECHNICAL SPECIFICATIONS (CONTINUED)

CONSTRUCTION (CONTINUED)

Effective Projected Area (EPA)

A17-70W-150W : 0.54 ft²
A17-200W-300W: 0.68 ft²
A17-200W-300W: 0.68 ft²
A17-375W-480W: 0.80 ft²

ELECTRICAL

Drivers (A17-Field-adjustable)

Constant Current, Class 1, 120-277V, 50/60Hz

A17-70W

50W: 120V: 0.41A, 208V: 0.24A, 240V: 0.21A, 277V: 0.19A
60W: 120V: 0.49A, 208V: 0.28A, 240V: 0.26A, 277V: 0.23A
70W: 120V: 0.58A, 208V: 0.33A, 240V: 0.30A, 277V: 0.27A

A17-100W

60W: 120V: 0.41A, 208V: 0.24A, 240V: 0.21A, 277V: 0.19A
80W: 120V: 0.64A, 208V: 0.37A, 240V: 0.33A, 277V: 0.30A
100W: 120V: 0.80A, 208V: 0.46A, 240V: 0.42A, 277V: 0.36A

A17-150W

100W: 120V: 0.81A, 208V: 0.47A, 240V: 0.42A, 277V: 0.38A
120W: 120V: 0.97A, 208V: 0.56A, 240V: 0.51A, 277V: 0.45A
150W: 120V: 1.21A, 208V: 0.70A, 240V: 0.63A, 277V: 0.53A

A17-200W

160W: 120V: 1.30A, 208V: 0.75A, 240V: 0.68A, 277V: 0.61A
180W: 120V: 1.91A, 208V: 1.10A, 240V: 0.99A, 277V: 0.89A
200W: 120V: 1.63A, 208V: 0.94A, 240V: 0.85A, 277V: 0.72A

A17-300W

200W: 120V: 1.59A, 208V: 0.92A, 240V: 0.83A, 277V: 0.74A
240W: 120V: 1.91A, 208V: 1.10A, 240V: 0.99A, 277V: 0.89A
300W: 120V: 2.40A, 208V: 1.37A, 240V: 1.24A, 277V: 1.05A

A17-375W

240W: 120V: 1.93A, 208V: 1.11A, 240V: 1.00A, 277V: 0.90A
300W: 120V: 2.41A, 208V: 1.39A, 240V: 1.25A, 277V: 1.12A
375W: 120V: 3.01A, 208V: 1.74A, 240V: 1.57A, 277V: 1.40A

A17-480W

320W: 120V: 2.57A, 208V: 1.50A, 240V: 1.35A, 277V: 1.21A
400W: 120V: 3.22A, 208V: 1.87A, 240V: 1.69A, 277V: 1.51A
480W: 120V: 3.90A, 208V: 2.24A, 240V: 2.03A, 277V: 1.71A

Constant Current, Class 1, 480V, 50/60Hz

A17-70W

50W: 480V: 0.12A
60W: 480V: 0.14A
70W: 480V: 0.15A

A17-100W

60W: 480V: 0.12A
80W: 480V: 0.18A
100W: 480V: 0.22A

A17-150W

100W: 480V: 0.22A
120W: 480V: 0.26A
150W: 480V: 0.31A

A17-200W

160W: 480V: 0.34A
180W: 480V: 0.396A
200W: 480V: 0.41A

A17-300W

200W: 480V: 0.45A
240W: 480V: 0.54A
300W: 480V: 0.64A

ELECTRICAL (CONTINUED)

A17-375W

240W: 480V: 0.76A
300W: 480V: 0.67A
375W: 480V: 0.53A

A17-480W

320W: 480V: 0.71A
400W: 480V: 0.88A
480W: 480V: 0.97A

THD / Power Factor:

MODEL#	THD	PF	THD	PF	THD	PF
	120V		277V		480V	
A17-3T70	3.6%	99.9%	14.5%	91.9%	13.8%	93.6%
A17-3T100	2.8%	99.9%	10.2%	93.5%	13.3%	93.5%
A17-3T150	3.0%	99.9%	5.6%	96.2%	13.4%	94.7%
A17-3T200	2.8%	99.9%	10.0%	95.8%	9.6%	94.7%
A17-3T300	7.9%	99.5%	8.9%	95.1%	4.7%	96.7%
A17-3T375	7.9%	99.5%	8.9%	94.8%	4.7%	96.7%
A17-3T480	3.4%	99.8%	10.4%	96.8%	4.7%	96.7%

Note

All values are typical (tolerance +/- 10%)

Surge Protection:

6kV

PERFORMANCE

Lifespan

100,000-hour LED lifespan based on IES LM-80 results and TM-21 calculations

OTHER

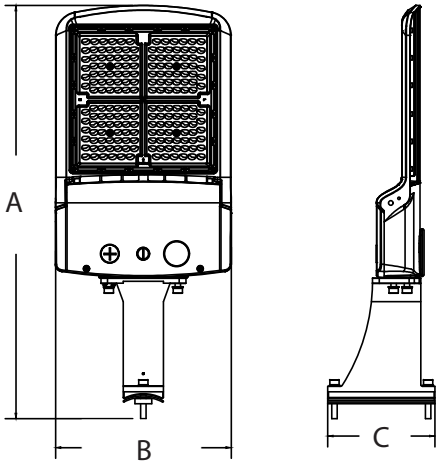
Warranty

The RAB 5-year, limited warranty covers light output, driver performance and paint finish. RAB's warranty is subject to all terms and conditions found at rablighting.com/warranty.

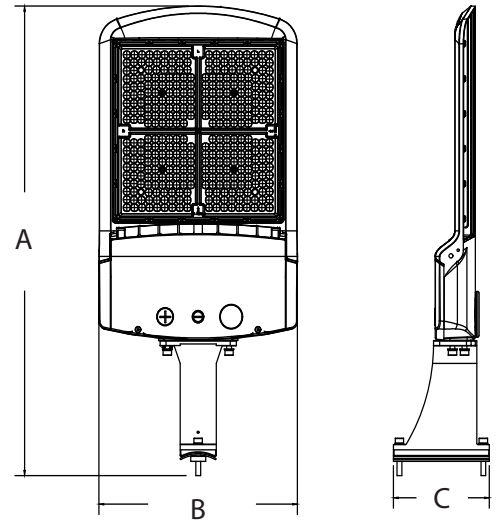
A17 Ultra-Economy Area Light

DIMENSIONS :

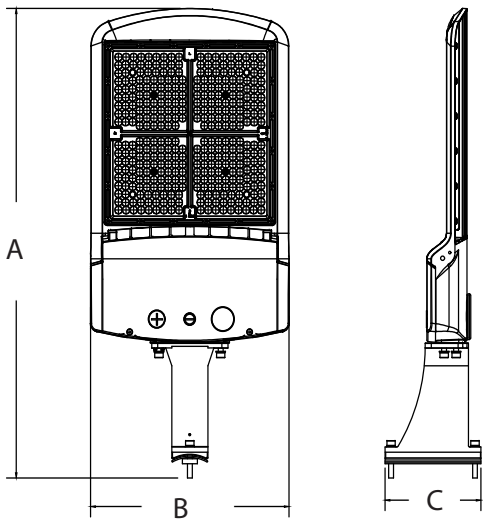
A17-70-150W (UNIVERSAL POLE MOUNT)



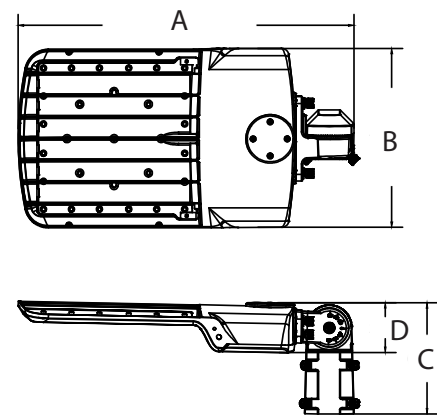
A17-200-300W (UNIVERSAL POLE MOUNT)



A17-375-480W (UNIVERSAL POLE MOUNT)



A17-150W (SLIPFITTER MOUNT)



MODEL# (UNIVERSAL MOUNTING ARM)	A	B	C	WEIGHT	
A17-70/150W	24 5/16"	10 5/16"	6 5/16"	8.8 lbs	
A17-200/300W	28 3/4"	13 1/16"	6 5/16"	11.5 lbs	
A17-375/480W	32 1/16"	15 1/4"	6 5/16"	24.3 lbs	
MODEL# SLIPFITTER MOUNT)	A	B	C	D	WEIGHT
A17-150W	19 3/8"	10 5/16"	6 7/16"	2 7/8"	8.8 lbs

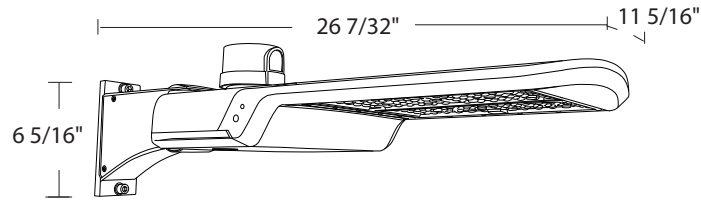
A17 Ultra-Economy Area Light



DIMENSIONS :

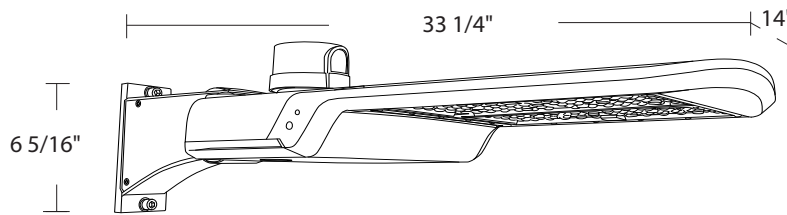
A17XFU-150W

Weight: 13.2 lbs



A17XFU-300W

Weight: 300W : 18.2 lbs



PERFORMANCE: A17 3-WAY FIELD ADJUSTABLE

A17XFU150	3000K	4000K	5000K	3000K	4000K	5000K	3000K	4000K	5000K
Wattage	150W			100W			70W		
Input Watts	151.22W	145.84W	150.63W	106.5W	112.8W	106.5W	73.2W	69.8W	72.4W
Lumens	20,261	21,875.1	21,354.8	15,494	16,407	16,023	11,168	11,577	11,452
Lm/W	134.0	150.2	141.8	145.5	145.5	150.5	152.6	165.9	158.2
CRI	72	73	71	72	73	71	72	73	71
Voltage Ratings	120-277V								

A17XFU300	3000K	4000K	5000K	3000K	4000K	5000K	3000K	4000K	5000K
Wattage	300W			240W			200W		
Input Watts	300W	300W	300W	240W	240W	240W	200W	200W	200W
Lumens	39,646.7	42,584.9	41,660.1	32,541.6	36,228	34,152	28,518	31,590	29,850
Lm/W	129.6	145.0	136.3	135.6	151.0	142.3	142.6	158.0	149.3
CRI	72	73	71	72	73	71	72	73	71
Voltage Ratings	120-277V								

A17 Ultra-Economy Area Light

PERFORMANCE: A17 FIELD ADJUSTABLE

A17- 70 Type III	3000K	4000K	5000K	3000K	4000K	5000K	3000K	4000K	5000K
Wattage	70W			60W			50W		
Input Watts	73.7W	69.1W	71.4W	61.2W	59.3W	61.2W	51W	49.4W	51W
Lumens	10,610	11,192	11,176	9,192	9,769	9,707	7,788	8,163	8,118
Lm/W	143.4	161.9	156.5	150.1	164.89	158.6	152.6	165.4	159.2
CRI	82	83	81	82	83	81	82	83	81
Voltage Ratings	120-277V								

A17- 70 Type IV	3000K	4000K	5000K	3000K	4000K	5000K	3000K	4000K	5000K
Wattage	70W			60W			50W		
Input Watts	73W	69.6W	72.2W	60.7W	58.2W	60.1W	51.8W	50W	51.4W
Lumens	10,260	10,855	10,547	8,765	9,204	9,011	7,635	7,985	7,843
Lm/W	140.0	155.3	145.5	143.9	157.4	149.3	146.9	159.0	152.1
CRI	82	83	81	82	83	81	82	83	81
Voltage Ratings	120-277V								

A17- 70 Type V	3000K	4000K	5000K	3000K	4000K	5000K	3000K	4000K	5000K
Wattage	70W			60W			50W		
Input Watts	70.7W	69.7W	72.3W	59.9W	58.3W	60.1W	50.1W	50.1W	51.4W
Lumens	10,336	11,047	10,743	8,943	9,368	9,183	7,633	8,125	7,990
Lm/W	146.2	157.8	148.0	149.2	160.0	152.0	152.2	161.5	154.8
CRI	82	83	81	82	83	81	82	83	81
Voltage Ratings	120-277V								

A17- 70 Type III	3000K	4000K	5000K	3000K	4000K	5000K	3000K	4000K	5000K
Wattage	70W			60W			50W		
Input Watts	74.3W	71.9W	74.5W	63.6W	61.6W	63.9W	53W	51.3W	53.2W
Lumens	10,770	11,425	11,399	9,962	10,019	9,993	8,460	8,504	8,648
Lm/W	145.1	159.7	153.5	156.5	162.7	156.5	159.5	165.7	162.5
CRI	82	83	81	82	83	81	82	83	81
Voltage Ratings	480V								

A17- 70 Type IV	3000K	4000K	5000K	3000K	4000K	5000K	3000K	4000K	5000K
Wattage	70W			60W			50W		
Input Watts	72.7W	71.2W	73W	60.8W	59.4W	61.1W	51.9W	51W	52.1W
Lumens	10,113	10,845	10,487	8,563	9,126	8,940	7,374	7,790	7,690
Lm/W	139.1	152.3	143.6	141.0	153.6	146.4	141.5	152.3	147.1
CRI	82	83	81	82	83	81	82	83	81
Voltage Ratings	480V								

A17- 70 Type V	3000K	4000K	5000K	3000K	4000K	5000K	3000K	4000K	5000K
Wattage	70W			60W			50W		
Input Watts	72.4W	71W	72.7W	60.7W	59.3W	60.9W	51.8W	50.9W	52W
Lumens	10,224	10,983	10,627	8,681	9,235	9,053	7,444	7,879	7,789
Lm/W	140.5	154.0	145.5	142.4	155.1	148.0	143.0	154.1	149.0
CRI	82	83	81	82	83	81	82	83	81
Voltage Ratings	480V								

A17 Ultra-Economy Area Light



PERFORMANCE: A17 FIELD ADJUSTABLE

A17-100 Type III	3000K	4000K	5000K	3000K	4000K	5000K	3000K	4000K	5000K
Wattage	100W			80W			60W		
Input Watts	99.7W	95.7W	99.8W	79.8W	76.6W	79.9W	59.8W	57.4W	59.9W
Lumens	14,540	15,299	15,364	11,875	12,355	12,444	8,986	9,377	9,428
Lm/W	145.8	159.8	153.9	148.9	161.3	155.8	150.2	163.2	157.4
CRI	82	83	82	82	83	81	82	83	81
Voltage Ratings	120-277V								

A17-100 Type IV	3000K	4000K	5000K	3000K	4000K	5000K	3000K	4000K	5000K
Wattage	100W			80W			60W		
Input Watts	102.1W	98.6W	102.2W	80.5W	78.4W	80.8W	61.6W	59.9W	61.4W
Lumens	14,400	15,585	15,190	11,798	12,672	12,533	9,325	9,856	9,855
Lm/W	140.6	157.6	148.2	146.1	161.1	154.6	151.0	164.0	160.0
CRI	82	83	81	82	83	81	82	83	81
Voltage Ratings	120-277V								

A17-100 Type V	3000K	4000K	5000K	3000K	4000K	5000K	3000K	4000K	5000K
Wattage	100W			80W			60W		
Input Watts	102.1W	95.7W	102.5W	80.7W	78.4W	80.7W	61.2W	59.8W	61.6W
Lumens	14,838	15,663	15,763	12,210	13,082	12,920	9,555	10,161	10,224
Lm/W	144.8	162.5	153.3	150.8	166.2	159.4	155.5	169.3	165.5
CRI	82	83	81	82	83	81	82	83	81
Voltage Ratings	120-277V								

A17-100 Type III	3000K	4000K	5000K	3000K	4000K	5000K	3000K	4000K	5000K
Wattage	100W			80W			60W		
Input Watts	103.6W	99.9W	103.9W	82.9W	79.9W	83.1W	62.2W	59.9W	62.3W
Lumens	15,261	16,147	16,105	12,457	13,157	13,158	9,528	10,032	10,068
Lm/W	147.4	161.7	155.3	150.3	164.7	158.3	153.3	167.4	161.5
CRI	81	81	81	81	81	81	81	81	81
Voltage Ratings	480V								

A17-100 Type IV	3000K	4000K	5000K	3000K	4000K	5000K	3000K	4000K	5000K
Wattage	100W			80W			60W		
Input Watts	100W	96.7W	100.1W	81.5W	79.2W	81.5W	61.1W	59.7W	61W
Lumens	14,073	15,207	14,845	11,854	12,690	12,520	9,210	9,741	9,727
Lm/W	140.2	156.7	148.2	144.9	159.7	153.1	150.1	162.6	158.8
CRI	81	81	81	81	81	81	81	81	81
Voltage Ratings	480V								

A17-100 Type V	3000K	4000K	5000K	3000K	4000K	5000K	3000K	4000K	5000K
Wattage	100W			80W			60W		
Input Watts	99.9W	96.7W	100.5W	81.0W	78.9W	81.3W	60.6W	59.5W	60.9W
Lumens	14,539	15,751	15,474	12,196	13,116	12,950	9,456	10,108	10,098
Lm/W	145.1	162.2	153.4	150.0	165.6	158.7	155.5	169.2	165.2
CRI	81	81	81	81	81	81	81	81	81
Voltage Ratings	480V								

A17 Ultra-Economy Area Light

PERFORMANCE: A17 FIELD ADJUSTABLE

A17-150 Type III	3000K	4000K	5000K	3000K	4000K	5000K	3000K	4000K	5000K
Wattage	150W			120W			100W		
Input Watts	151.7W	145.4W	151.7W	121.3W	116.4W	121.3W	101.1W	97W	101.1W
Lumens	22,074	23,339	22,547	18,037	19,029	18,227	15,177	16,061	15,406
Lm/W	145.6	160.5	148.7	148.7	163.6	150.2	150.1	164.7	152.4
82C84R81I	82	84	81	82	84	81	82	84	81
Voltage Ratings	120-277V								

A17-150 Type IV	3000K	4000K	5000K	3000K	4000K	5000K	3000K	4000K	5000K
Wattage	150W			120W			100W		
Input Watts	149.3W	143.9W	149.4W	121.5W	117.9W	121.9W	101.5W	98.6W	101.3W
Lumens	21,162	22,709	22,088	17,944	19,052	18,750	15,460	16,213	16,042
Lm/W	141.3	157.3	147.4	147.2	161.1	153.4	151.9	164.0	157.8
CRI	82	84	81	82	84	81	82	84	81
Voltage Ratings	120-277V								

A17-150 Type V	3000K	4000K	5000K	3000K	4000K	5000K	3000K	4000K	5000K
Wattage	150W			120W			100W		
Input Watts	149.8W	144.2W	150.7W	121.8W	117.9W	121.8W	102.4W	99.2W	101.7W
Lumens	21,835	23,343	22,997	18,399	19,464	19,189	15,966	16,682	16,470
Lm/W	145.8	161.2	152.0	150.5	164.5	157.0	155.4	167.6	161.4
CRI	82	84	81	82	84	81	82	84	81
Voltage Ratings	120-277V								

A17-150 Type III	3000K	4000K	5000K	3000K	4000K	5000K	3000K	4000K	5000K
Wattage	150W			120W			100W		
Input Watts	146.6W	141.4W	146.2W	117.3W	113.1W	117W	97.7W	94.3W	97.5W
Lumens	21,775	23,043	22,800	17,780	18,755	18,575	15,153	15,956	15,805
Lm/W	148.5	162.7	156.0	151.6	165.8	158.9	155.1	169.2	162.1
82C84R81I	82	83	81	82	83	81	82	83	81
Voltage Ratings	480V								

A17-150 Type IV	3000K	4000K	5000K	3000K	4000K	5000K	3000K	4000K	5000K
Wattage	150W			120W			100W		
Input Watts	150.6W	145.1W	151W	121.8W	124.4W	127.9W	101.3W	100.3W	107.9W
Lumens	21,044	22,736	22,044	17,594	19,333	18,827	14,999	15,907	16,243
Lm/W	139.2	156.1	145.4	144.0	154.8	146.7	147.6	158.1	150.0
CRI	82	83	81	82	83	81	82	83	81
Voltage Ratings	480V								

A17-150 Type V	3000K	4000K	5000K	3000K	4000K	5000K	3000K	4000K	5000K
Wattage	150W			120W			100W		
Input Watts	151.3W	145.1W	151W	123.7W	120.9W	124.2W	104.3W	101.5W	104.5W
Lumens	21,262	23,192	22,548	18,314	19,631	19,173	15,853	16,666	16,499
Lm/W	140.0	159.2	148.8	147.5	161.8	153.8	151.4	163.5	157.4
CRI	82	83	81	82	83	81	82	83	81
Voltage Ratings	480V								

A17 Ultra-Economy Area Light



PERFORMANCE: A17 FIELD ADJUSTABLE

A17-200 Type III	3000K	4000K	5000K	3000K	4000K	5000K	3000K	4000K	5000K
Wattage	200W			180W			160W		
Input Watts	202.6W	194.9W	202.5W	182.3W	175.4W	182.2W	162W	155.9W	162W
Lumens	30,238	31,923	31,971	27,825	29,059	29,035	25,114	26,259	25,959
Lm/W	149.3	163.8	157.9	152.6	165.7	159.3	155	168.4	160.3
CRI	82	83	81	82	83	81	82	83	81
Voltage Ratings	120-277V								

A17-200 Type IV	3000K	4000K	5000K	3000K	4000K	5000K	3000K	4000K	5000K
Wattage	200W			180W			160W		
Input Watts	199.3W	191.5W	198.6W	182.5W	175.3W	182W	161.5W	155.7W	160.8W
Lumens	28,895	31,037	30,089	26,953	28,733	28,033	24,506	25,833	25,339
Lm/W	144.5	161.6	151.0	147.3	163.4	153.6	151.2	165.4	157.1
CRI	82	83	81	82	83	81	82	83	81
Voltage Ratings	120-277V								

A17-200 Type V	3000K	4000K	5000K	3000K	4000K	5000K	3000K	4000K	5000K
Wattage	200W			180W			160W		
Input Watts	200.8W	192W	198.7W	182.7W	175W	181.7W	161.3W	155.4W	160.7W
Lumens	29,905	31,650	30,572	27,757	29,118	28,371	24,838	26,352	25,891
Lm/W	148.5	164.4	153.4	151.5	165.9	155.7	153.6	169.1	160.7
CRI	82	83	81	82	83	81	82	83	81
Voltage Ratings	120-277V								

A17-200 Type III	3000K	4000K	5000K	3000K	4000K	5000K	3000K	4000K	5000K
Wattage	200W			180W			160W		
Input Watts	196W	188W	196.3W	176.4W	169.2W	176.7W	156.8W	150.4W	157W
Lumens	29,241	30,751	30,890	26,866	28,189	26,589	24,398	25,538	24,969
Lm/W	149.2	163.6	157.4	152.3	166.6	150.5	155.6	169.8	159.0
CRI	82	83	81	82	83	81	82	83	81
Voltage Ratings	480V								

A17-200 Type IV	3000K	4000K	5000K	3000K	4000K	5000K	3000K	4000K	5000K
Wattage	200W			180W			160W		
Input Watts	199.5W	191.4W	198.9W	182.2W	175.5W	181.5W	162.2W	156.0W	161.4W
Lumens	28,715	30,854	29,980	26,659	28,527	27,809	24,225	25,603	25,111
Lm/W	143.5	160.7	150.3	145.8	162.0	152.8	148.9	163.6	155.1
CRI	82	83	81	82	83	81	82	83	81
Voltage Ratings	480V								

A17-200 Type V	3000K	4000K	5000K	3000K	4000K	5000K	3000K	4000K	5000K
Wattage	200W			180W			160W		
Input Watts	199.3W	191.3W	199.1W	182.1W	175.6W	181.7W	162.1W	156.3W	161.6W
Lumens	30,007	32,276	31,571	27,768	29,779	29,051	25,165	26,761	26,219
Lm/W	150.1	168.2	158.1	152.0	169.1	159.3	154.7	170.7	161.7
CRI	82	83	81	82	83	81	82	83	81
Voltage Ratings	480V								

A17 Ultra-Economy Area Light

PERFORMANCE: A17 FIELD ADJUSTABLE

A17-300 Type III	3000K	4000K	5000K	3000K	4000K	5000K	3000K	4000K	5000K
Wattage	300W			240W			200W		
Input Watts	298W	285.9W	298.3W	238.4W	228.7W	238.7W	201W	200.3W	200.4W
Lumens	43,982	46,109	46,356	35,815	37,360	37,787	30,567	32,671	31,709
Lm/W	147.6	161.3	155.4	150.2	163.3	158.3	152.1	163.1	158.2
82C84R81I	82	84	82	82	84	82	82	84	82
Voltage Ratings	120-277V								

A17-300 Type IV	3000K	4000K	5000K	3000K	4000K	5000K	3000K	4000K	5000K
Wattage	300W			240W			200W		
Input Watts	300.6W	288.4W	300.3W	237.9W	229.8W	238.2W	200.7W	200.3W	200.2W
Lumens	42,458	45,414	44,227	34,606	37,154	36,784	29,983	32,295	31,525
Lm/W	140.8	157.0	146.8	145.5	161.2	154.0	149.4	161.2	157.5
CRI	82	84	82	82	84	82	82	84	82
Voltage Ratings	120-277V								

A17-300 Type V	3000K	4000K	5000K	3000K	4000K	5000K	3000K	4000K	5000K
Wattage	300W			240W			200W		
Input Watts	300.6W	288.6W	300.5W	238.5W	230.1W	238.4W	200.4W	201W	201W
Lumens	43,413	46,714	45,540	36,027	38,364	37,894	30,924	33,454	32,501
Lm/W	144.0	161.4	151.1	150.6	166.2	158.4	154.3	166.5	161.7
CRI	82	84	82	82	84	82	82	84	82
Voltage Ratings	120-277V								

A17-300 Type III	3000K	4000K	5000K	3000K	4000K	5000K	3000K	4000K	5000K
Wattage	300W			240W			200W		
Input Watts	307.8W	295.9W	308W	240.4W	241W	241W	205.2W	197.3W	205.3W
Lumens	45,948	48,412	48,475	34,020	37,833	36,182	31,888	33,600	33,587
Lm/W	149.3	163.6	157.4	141.5	157.0	150.1	155.4	170.3	163.6
82C84R81I	82	84	81	82	84	81	82	84	81
Voltage Ratings	480V								

A17-300 Type IV	3000K	4000K	5000K	3000K	4000K	5000K	3000K	4000K	5000K
Wattage	300W			240W			200W		
Input Watts	300.3W	288.5W	301.8W	240.9W	240W	241.2W	215.7W	208.4	215W
Lumens	43,459	46,435	45,137	34,863	38,472	36,523	32,302	34,485	34,233
Lm/W	144.3	160.4	149.1	144.7	160.3	151.4	149.2	165.0	158.8
CRI	82	84	81	82	84	81	82	84	81
Voltage Ratings	480V								

A17-300 Type V	3000K	4000K	5000K	3000K	4000K	5000K	3000K	4000K	5000K
Wattage	300W			240W			200W		
Input Watts	300.9W	289.2W	302.4W	240.9W	240W	241.2W	215.4W	207.6W	214.6W
Lumens	43,672	47,384	46,299	36,462	39,887	38,118	33,202	35,024	34,775
Lm/W	144.7	163.3	152.6	151.4	166.2	158.0	153.6	168.2	161.5
CRI	82	84	81	82	84	81	82	84	81
Voltage Ratings	480V								

A17 Ultra-Economy Area Light



PERFORMANCE: A17 FIELD ADJUSTABLE

A17-375 Type III	3000K	4000K	5000K	3000K	4000K	5000K	3000K	4000K	5000K
Wattage	375W			300W			240W		
Input Watts	381.3W	361.4W	377.2W	305.1W	289.1W	301.8W	244.0W	231.3W	241.4W
Lumens	56,702	59,359	58,624	45,822	47,953	47,784	37,312	39,003	38,705
Lm/W	148.7	164.3	155.4	150.2	165.9	158.4	152.9	168.7	160.3
CRI	82	84	82	82	84	82	82	84	82
Voltage Ratings	120-277V								

A17-375 Type IV	3000K	4000K	5000K	3000K	4000K	5000K	3000K	4000K	5000K
Wattage	375W			300W			240W		
Input Watts	374W	365.8W	372.8W	302.6W	298.2W	303.6W	239.7W	236.8W	240.3W
Lumens	56,816	58,208	56,979	47,092	48,613	47,960	38,363	39,476	39,237
Lm/W	151.6	158.8	152.5	155.3	162.7	157.7	159.7	166.4	162.9
CRI	82	84	82	82	84	82	82	84	82
Voltage Ratings	120-277V								

A17-375 Type V	3000K	4000K	5000K	3000K	4000K	5000K	3000K	4000K	5000K
Wattage	375W			300W			240W		
Input Watts	376.4W	368.6W	375.7W	304.2W	299.8W	305.2W	240.9W	238.1W	241.8W
Lumens	58,872	60,553	59,365	48,868	50,484	49,807	39,754	40,971	40,785
Lm/W	156.0	163.8	157.6	160.2	168.4	162.7	164.5	171.6	168.7
CRI	82	84	82	82	84	82	82	84	82
Voltage Ratings	120-277V								

A17-375 Type III	3000K	4000K	5000K	3000K	4000K	5000K	3000K	4000K	5000K
Wattage	375W			300W			240W		
Input Watts	384.1W	364.4W	379.2W	307.3W	291.5W	303.4W	245.8W	233.2W	242.5W
Lumens	57,853	61,661	59,674	47,247	50,196	48,689	38,640	40,950	39,770
Lm/W	150.7	169.3	157.4	153.8	172.2	160.5	157.2	175.6	164.0
CRI	82	83	81	82	83	81	82	83	81
Voltage Ratings	480V								

A17-375 Type IV	3000K	4000K	5000K	3000K	4000K	5000K	3000K	4000K	5000K
Wattage	375W			300W			240W		
Input Watts	377W	363W	378.5W	307.3W	291.5W	303.4W	245.8W	233.2W	242.5W
Lumens	54,952	58,435	56,165	46,307	49,342	47,753	37,804	40,157	38,921
Lm/W	145.8	161.0	148.4	150.7	169.3	157.4	153.8	172.2	160.5
CRI	82	83	81	82	83	81	82	83	81
Voltage Ratings	480V								

A17-375 Type V	3000K	4000K	5000K	3000K	4000K	5000K	3000K	4000K	5000K
Wattage	375W			300W			240W		
Input Watts	375.4W	364.2W	372.8W	306.9W	295.7W	308.1W	239W	232.4W	240.3W
Lumens	55,806	60,410	60,139	42,515	46,844	44,863	36,907	38,907	37,973
Lm/W	148.7	165.4	160.9	138.1	158.0	145.2	154.5	167.4	158.0
CRI	82	83	81	82	83	81	82	81	83
Voltage Ratings	480V								

A17 Ultra-Economy Area Light

PERFORMANCE: A17 FIELD ADJUSTABLE

A17-480 Type III	3000K	4000K	5000K	3000K	4000K	5000K	3000K	4000K	5000K
Wattage	480W			400W			320W		
Input Watts	488.5W	463.2W	479.6W	407.1W	385.8W	399.8W	325.6W	308.8W	319.5W
Lumens	71,274	76,317	73,390	61,591	65,509	63,648	51,933	54,316	52,871
Lm/W	146.0	164.8	153.1	151.3	169.8	159.2	159.5	175.9	165.5
82C84R81I	82	84	82	82	84	82	82	84	82
Voltage Ratings	120-277V								

A17-480 Type IV	3000K	4000K	5000K	3000K	4000K	5000K	3000K	4000K	5000K
Wattage	480W			400W			320W		
Input Watts	467.8W	451.4W	469.1W	391.2W	379.7W	393.0W	321.4W	310.7W	320.1W
Lumens	66,190	71,177	68,602	56,865	61,228	59,651	49,326	51,396	50,803
Lm/W	141.1	157.2	145.8	144.9	160.8	151.4	153.0	164.9	158.3
CRI	82	84	82	82	84	82	82	84	82
Voltage Ratings	120-277V								

A17-480 Type V	3000K	4000K	5000K	3000K	4000K	5000K	3000K	4000K	5000K
Wattage	480W			400W			320W		
Input Watts	461.7W	457.4W	470.2W	388W	388.9W	405.5W	317.4W	316.2W	322.5W
Lumens	68,813	72,712	71,232	59,872	62,596	60,938	51,104	53,315	52,130
Lm/W	148.6	158.5	151.0	153.9	160.5	149.8	160.6	168.1	161.2
CRI	82	84	82	82	84	82	82	84	82
Voltage Ratings	120-277V								

A17-480 Type III	3000K	4000K	5000K	3000K	4000K	5000K	3000K	4000K	5000K
Wattage	480W			400W			320W		
Input Watts	488.5W	463.2W	479.6W	406.6W	386W	399.6W	325.6W	308.8W	319.7W
Lumens	71,274	76,317	73,390	60,583	64,809	62,418	49,556	52,836	51,152
Lm/W	146.0	164.8	153.1	149.0	167.9	156.2	152.2	171.1	160.0
82C84R81I	81	81	81	81	81	81	81	81	81
Voltage Ratings	480V								

A17-480 Type IV	3000K	4000K	5000K	3000K	4000K	5000K	3000K	4000K	5000K
Wattage	480W			400W			320W		
Input Watts	461.9W	454.6W	465.6W	393.3W	397.4W	396.8W	321.2W	325.6W	324.1W
Lumens	69,909	73,057	73,305	60,965	65,386	63,432	51,327	54,567	53,120
Lm/W	150.9	160.3	157.0	154.6	164.1	159.4	159.4	167.2	163.5
CRI	81	81	81	81	81	81	81	81	81
Voltage Ratings	480V								

A17-480 Type V	3000K	4000K	5000K	3000K	4000K	5000K	3000K	4000K	5000K
Wattage	480W			400W			320W		
Input Watts	462.7W	454.9W	464.5W	394.7W	390.2W	397.7W	321.1W	321.3W	322.6W
Lumens	72,703	75,556	74,756	63,651	66,189	66,024	53,764	55,914	54,976
Lm/W	156.7	166.1	160.5	160.8	169.2	165.6	167.0	173.6	169.9
CRI	81	81	81	81	81	81	81	81	81
Voltage Ratings	480V								

A17 Ultra-Economy Area Light



ACCESSORIES

IMAGE	SKU#	UPC	DESCRIPTION
	A17-RHS-S	192552035941	A17 UP TO 150W REVERSIBLE HS SHIELD BZ
	A17-RHS-M	192552035910	A17 200W TO 300W REVERSIBLE HS SHIELD BZ
	A17-RHS-L	192552035880	A17 375W AND UP REVERSIBLE HS SHIELD BZ
	A17-WM	192552004466	AREALIGHT A17 Wall Mount Kit
	A17-RW ARM	192552029452	ROADWAY ARM A17
	A17-SF-KIT-S-M	192552035262	A17LIGHTS A17 UP TO 300W SLIPFITTER KIT
	A17-SF-KIT-L	192552035255	A17LIGHTS A17 375W AND UP SLIPFITTER KIT
	A17-ADJ-KIT-S-M	192552035200	AREA LIGHTS A17 UP TO 300W UNIVERSAL ADJ ARM KIT BZ
	A17-ADJ-KIT-L	192552035170	AREA LIGHTS A17 375W AND UP UNIVERSAL ADJ ARM KIT BZ
	R-3P-PCT	192552004299	RAB 3 PIN TWISTLOCK PHOTOCELL 120-277V
	RPCT-480	192552002875	TWISTLOCK PHOTOCELL RAB 480V
	MSR1	192552026055	MULTI SENSOR REMOTE IP20 H17-JJAR17SEAL MVS AND PIR

A17 Ultra-Economy Area Light

ORDERING MATRIX

A17

Family	Distribution Type*	Wattage	Mounting	Color Temperature	Finish	Voltage Rating	Options			
A17										
	3T	Type III	70	70/60/50W	BLANK Universal Pole Mount	BLANK 3000/4000/5000K CCT Adjustable	BLANK Bronze	BLANK 120-277V /480 480V	BLANK /3PRS /7PRS /MVS	No Option 3-pin Receptacle with Shorting Cap 7-pin Receptacle with Shorting Cap Microwave Motion Sensor
	4T	Type IV	100	100/80/60W						
	5T	Type V	150	150/120/100W	'SF Slipfitter	BLANK	120-277V /480 480V	BLANK /3PRS /7PRS /MVS	No Option 3-pin Receptacle with Shorting Cap 7-pin Receptacle with Shorting Cap Microwave Motion Sensor	
			200	200/180/160W						
			300	300/240/200W						
			375	375/300/240W						
480	480/400/320W									

[†]Slipfitter Mount available on 150W only

*Type II distribution available as special order

Wall mount and roadway arm mount available as optional accessories

A17XFU

Family	Wattage	Color Temperature	Finish	Voltage Rating	Options					
A17XFU										
	150	150/100/70W	BLANK	3000/4000/5000K CCT Adjustable	BLANK	Bronze	BLANK	120-277V, 0-10V Dimming	BLANK	7-pin Receptacle & Shorting Cap 3-pin Twistlock photocell included Lightcloud Controller
	300	300/240/200W	BLANK	3000/4000/5000K CCT Adjustable	B	Black				
			W			White			/LC	

A17XFU comes standard with Adjustable Universal Pole Mount, 7-Pin Receptacle with Shorting Cap