

INSTRUCTIONS

ARC™ TRACK LIGHT FIELD-ADJUSTABLE INSTALLATION



RAB Lighting is committed to creating high-quality, affordable, well-designed and energy-efficient LED lighting and controls that make it easy for electricians to install and end users to save energy. We'd love to hear your comments. Please call the Marketing Department at 888-RAB-1000 or email: marketing@rablighting.com

**** DON'T TOSS IT—RECYCLE IT! MAKE THE SUSTAINABLE CHOICE BY RECYCLING THIS FIXTURE AT END OF LIFE WITH A LICENSED RECYCLING PROVIDER. ****



Track Mount



Recessed Mount



Surface Mount



Pendant Mount

IMPORTANT

READ CAREFULLY BEFORE INSTALLING FIXTURE. RETAIN THESE INSTRUCTIONS FOR FUTURE REFERENCE.

RAB fixtures must be wired in accordance with the National Electrical Code and all applicable local codes. Proper grounding is required for safety. THIS PRODUCT MUST BE INSTALLED IN ACCORDANCE WITH THE APPLICABLE INSTALLATION CODE BY A PERSON FAMILIAR WITH THE CONSTRUCTION AND OPERATION OF THE PRODUCT AND THE HAZARDS INVOLVED.

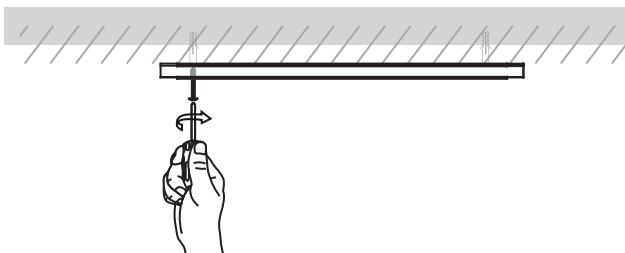
WARNING:

- **Make certain power is OFF before installing or maintaining fixture. No user serviceable parts inside.**
- **Fixture is suitable for dry location.**
- **Fixture must be mounted a minimum of 4 feet above ground level.**
- **Fixtures are 120V Only**

TRACK MOUNT INSTALLATION

1. Secure the track system on the ceiling (Fig. 1).

Fig: 1



Straight "I"



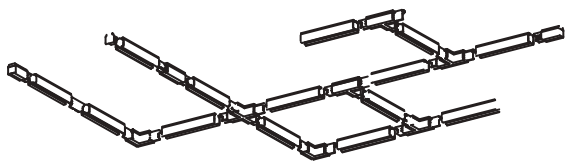
Corner "L"



"T" shape



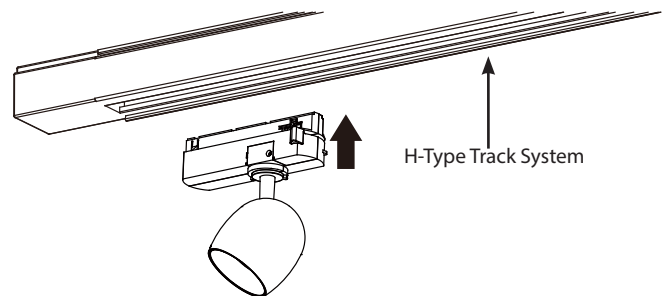
Cross "+"



Note: Do not install in the place near heat source, or in corrosive gas environment.

Fig: 2

2. Align the track light **Adapter** into the **Track Rail** ensuring the orientation of the **Adapter** is correct (Fig. 2). Manually adjust the **Beam Angle** as desired.



INSTRUCTIONS

ARC™ TRACK LIGHT FIELD-ADJUSTABLE INSTALLATION



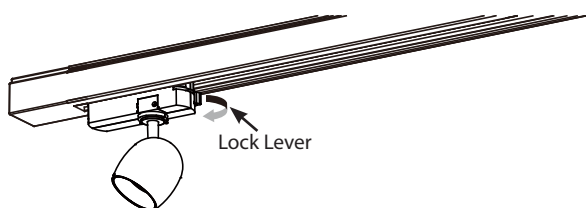
RAB Lighting is committed to creating high-quality, affordable, well-designed and energy-efficient LED lighting and controls that make it easy for electricians to install and end users to save energy. We'd love to hear your comments. Please call the Marketing Department at 888-RAB-1000 or email: marketing@rablighting.com

**** DON'T TOSS IT—RECYCLE IT! MAKE THE SUSTAINABLE CHOICE BY RECYCLING THIS FIXTURE AT END OF LIFE WITH A LICENSED RECYCLING PROVIDER. ****

TRACK MOUNT INSTALLATION (cont'd)

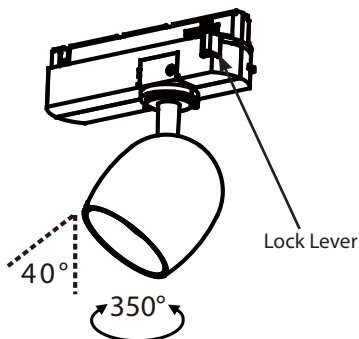
3. Slide the **Lock Lever** to secure fixture into track (Fig. 3 & 4).

Fig: 3



Tilt 40° in all directions (350°)

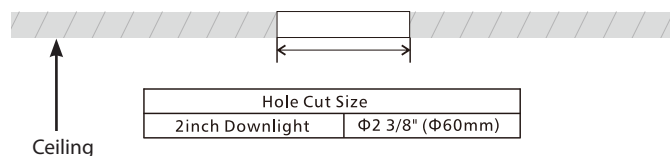
Fig: 4



RECESSED MOUNT INSTALLATIONS

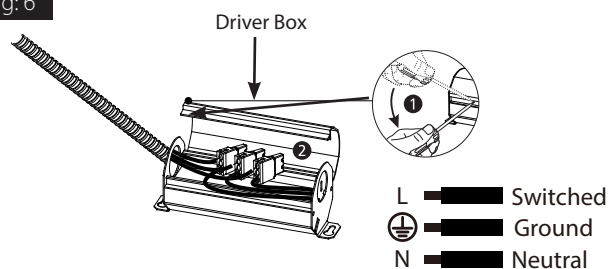
1. Cut hole in the ceiling according to provided **Cut-Out Template** (Fig. 5).

Fig: 5



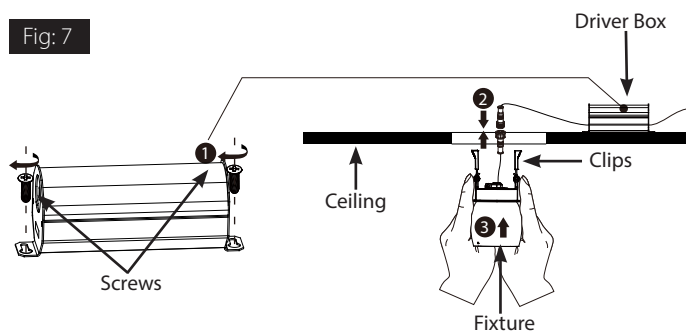
2. Pry the **Driver Box** open using a screwdriver, connect wires correspondingly as shown in Fig. 6.

Fig: 6



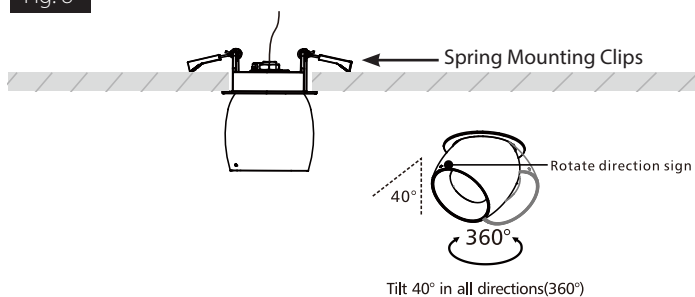
3. Close the **Driver Box** firmly and place **Driver** in the ceiling. Connect the wires. Push fixture into the ceiling opening with **Clips** upright (Fig. 7).

Fig: 7



4. Release the **Spring Mounting Clips** to secure Fixture firmly (Fig. 8).

Fig: 8



INSTRUCTIONS

ARC™ TRACK LIGHT FIELD-ADJUSTABLE INSTALLATION



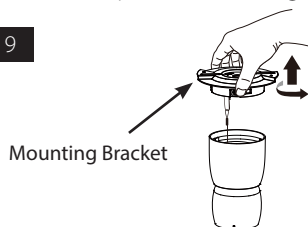
RAB Lighting is committed to creating high-quality, affordable, well-designed and energy-efficient LED lighting and controls that make it easy for electricians to install and end users to save energy. We'd love to hear your comments. Please call the Marketing Department at 888-RAB-1000 or email: marketing@rablighting.com

**** DON'T TOSS IT—RECYCLE IT! MAKE THE SUSTAINABLE CHOICE BY RECYCLING THIS FIXTURE AT END OF LIFE WITH A LICENSED RECYCLING PROVIDER. ****

SURFACE MOUNT INSTALLATIONS

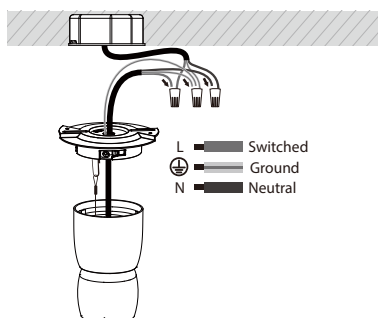
1. Rotate and separate **Mounting Bracket** (Fig. 9).

Fig: 9



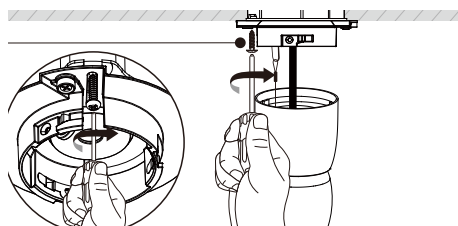
2. Connect wires correspondingly (Fig. 10).

Fig: 10



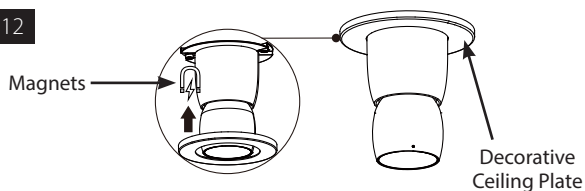
3. Secure **Mounting Bracket** onto the **Junction Box** (Fig. 11).

Fig: 11



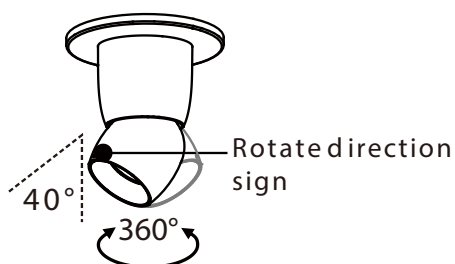
4. Install fixture to **Mounting Bracket**, avoid pinching wires. (Fig. 11 & 12). Install **Decorative Ceiling Plate**. Ceiling Plate is held with **Magnets**.

Fig: 12



5. Aim fixture as desired (Fig. 13).

Fig: 13

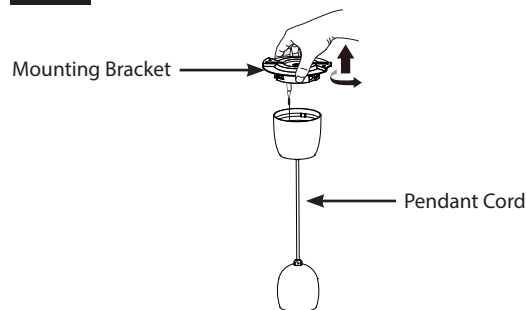


Tilt 40° in all directions(360°)

SURFACE MOUNT PENDANT CORD INSTALLATIONS

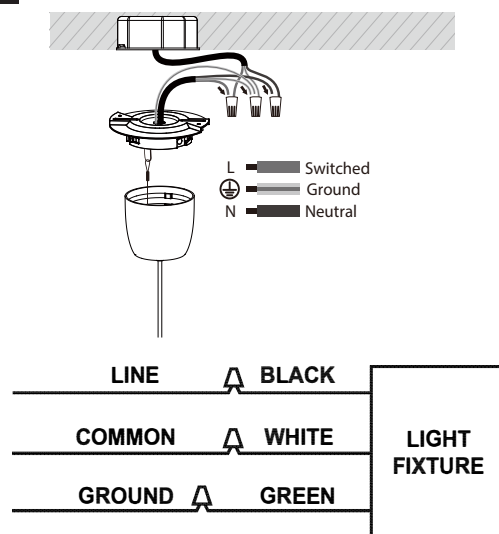
6. Rotate and separate **Mounting Bracket** (Fig. 14).

Fig: 14



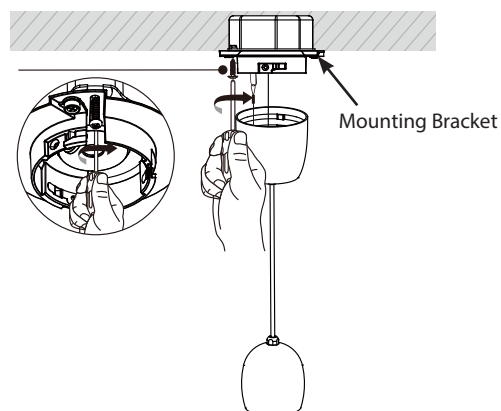
7. Connect wires according to wiring diagram (Fig. 15).

Fig: 15



8. Attach the **Mounting Bracket** to the **Junction Box** (Fig. 16).

Fig: 16



INSTRUCTIONS

ARC™ TRACK LIGHT FIELD-ADJUSTABLE INSTALLATION



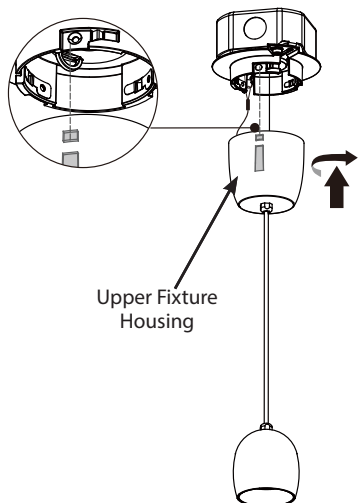
RAB Lighting is committed to creating high-quality, affordable, well-designed and energy-efficient LED lighting and controls that make it easy for electricians to install and end users to save energy. We'd love to hear your comments. Please call the Marketing Department at 888-RAB-1000 or email: marketing@rablighting.com

**** DON'T TOSS IT—RECYCLE IT! MAKE THE SUSTAINABLE CHOICE BY RECYCLING THIS FIXTURE AT END OF LIFE WITH A LICENSED RECYCLING PROVIDER. ****

CEILING MOUNT PENDANT CORD INSTALLATIONS (cont'd)

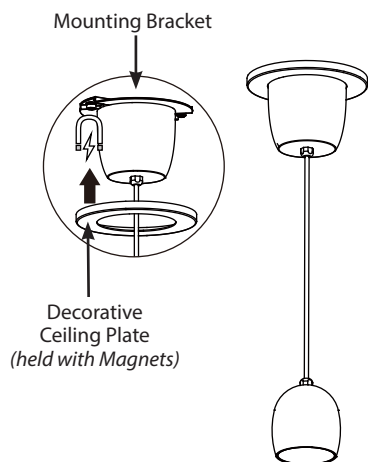
9. Secure **Fixture Upper Housing** to the **Mounting Bracket**, avoid pinching wires. (Fig. 17).

Fig: 17



10. Secure **Decorative Ceiling Plate** with **Magnetic Hold** to the **Mounting Bracket** (Fig. 18).

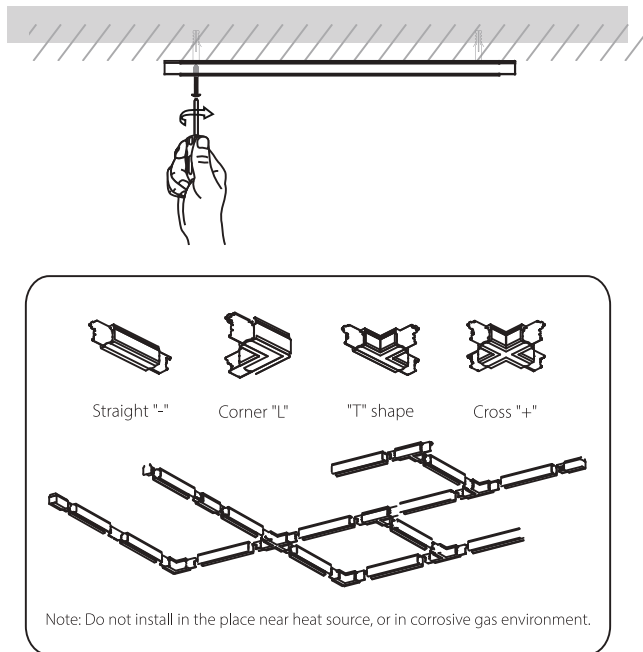
Fig: 18



PENDANT TRACK MOUNT INSTALLATIONS

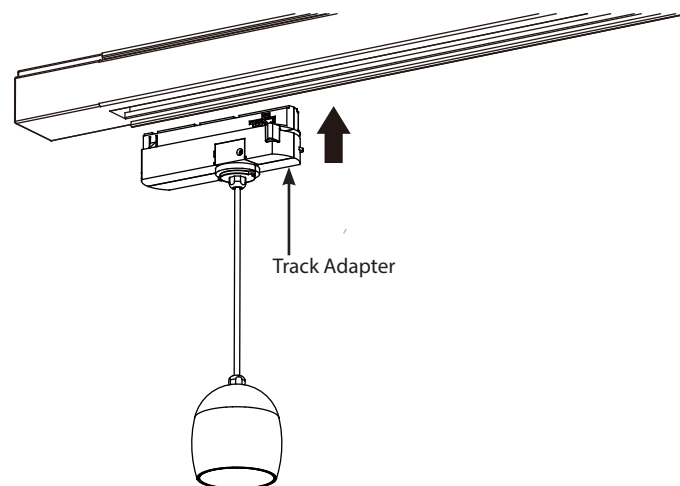
1. Secure the track system onto the ceiling (Fig. 19).

Fig: 19



2. Align the **Track Adapter** into the track rail, ensuring the orientation of the **Adapter** is correct (Fig. 20).

Fig: 20



INSTRUCTIONS

ARC™ TRACK LIGHT FIELD-ADJUSTABLE INSTALLATION

RAB®

RAB Lighting is committed to creating high-quality, affordable, well-designed and energy-efficient LED lighting and controls that make it easy for electricians to install and end users to save energy. We'd love to hear your comments. Please call the Marketing Department at 888-RAB-1000 or email: marketing@rablighting.com

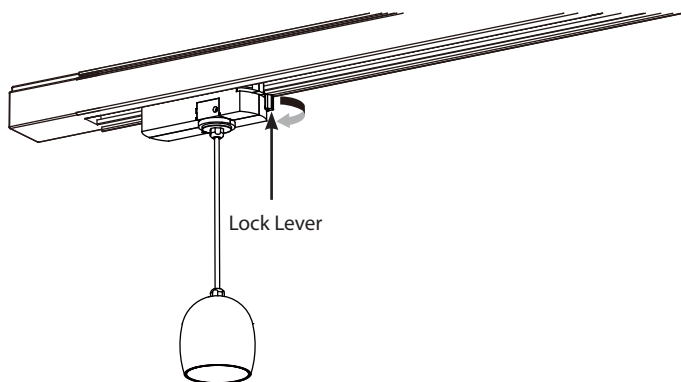
**** DON'T TOSS IT—RECYCLE IT! MAKE THE SUSTAINABLE CHOICE BY RECYCLING THIS FIXTURE AT END OF LIFE WITH A LICENSED RECYCLING PROVIDER. ****

PENDANT TRACK MOUNT INSTALLATIONS

(cont'd)

Fig: 21

3. Slide the **Lock Lever** to secure the fixture onto the Track (Fig. 21).



CLEANING & MAINTENANCE

CAUTION: Be sure fixture temperature is cool enough to touch. Do not clean or maintain while fixture is energized.

1. Clean lens with non-abrasive glass cleaning solution.
2. Do not open the fixture to clean the LED. Do not touch the LED.

TROUBLESHOOTING

1. Check that the line voltage at the fixture is correct. Refer to wiring directions.
2. Is the fixture grounded properly?

Note: These instructions do not cover all details or variations in equipment nor do they provided for every possible situation during installation, operation or maintenance.

RAB®

© 2026 RAB LIGHTING Inc.

ARC Track Light - 0526
P-102749

Easy Answers

rablighting.com
Visit our website for product info

Tech Help Line
Call our experts: 888 722-1000

e-mail
Answered promptly - tech@rablighting.com

Free Lighting Layouts
Answered online or by request