

AURA Decorative Surface Mount



Integrated reflector for visual comfort



PROJECT:

DATE:

TYPE:

PREPARED BY:



KEY FEATURES

- Field-adjustable wattage and CCT support seamless coordination across different spaces
- Low-profile surface mount design delivers a clean, architectural aesthetic
- Controlled, diffused light output provides a smooth, even appearance
- Integrated reflector design enhances visual comfort while minimizing glare
- 50,000 hrs., AirTight, California Title 24 compliant, 5-year, no-compromise warranty

PERFORMANCE

Catalog Number	Finish	Size	Wattage Equivalency	Input Wattage	Lumens	Efficacy	Color Temperature	Beam Angle	Dim Type	Input Voltage
AURA-S16	White housing, white reflector	16"	60W Incandescent	25/20/15W	1350/1200/800	55 lm/W	Adjustable 2700/3000/3500/4000/5000K	120°±10°	TRIAC/ ELV	120V
AURA-S16BG	Black housing, gold reflector									

TECHNICAL SPECIFICATIONS

MODULE CONSTRUCTION ONLY

Product Type

Decorative Surface Mount

Size

16"

Shape

Round

Enclosure Material

Metal

Finish

White housing with white reflector or black housing with golden reflector

INSTALLATION

Mounting

Surface or pendant mount (accessory sold separately)

COMPLIANCE

ETL Listed

This product has been tested by Intertek and found in compliance with accepted national standards.

Environment

Suitable for use indoors in dry environments.

IC Rated

No

Air Tight

Housing certified Air Tight as per ASTM E283

Energy Star Approved

No

DLC Listed

No

California Title 20 Compliant

No

California Title 24 JA8 Compliant

Can be used to conform with the requirements of California Title 24 Part 6.

California Energy Commission (CEC) Status

Lawful for Sales in California

IESNA LM-79 & LM80 Testing

RAB LED luminaires and LED components have been tested by an independent laboratory in accordance with IESNA LM-79 and LM-80.

RoHS

Mercury and UV free. RoHS-compliant components.

FCC

Complies with Part 15 of the FCC Rules.

ELECTRICAL

Dimmable

Yes, dimmable down to 10% on compatible TRIAC/ELV dimming systems. See Dimmer Compatibility List.

Driver

Constant Current, Class 2 120V 50/60; 120V: 240mA

Input Voltage

120V

Operating Frequency

50/60Hz

Operating Temperature

-4°F to 113°F (-20°C to 45°C)

THD

≤20%

Power Factor

≥0.9

Flicker

≤30

LED CHARACTERISTICS

Beam Angle

120°±10°

Color Temperature

Default: 3000K

Field adjustable via dip switch 2700/3000/3500/4000/5000K

Color Accuracy (CRI)

90

R9 Value

High color performance with R9 greater than 0

Color Consistency

<6-step MacAdam Ellipse binning to achieve consistent fixture-to-fixture color

Color Stability

LED color temperature is warrantied to shift no more than 200K in color temperature over a 5-year period

Color Uniformity

RAB's range of Correlated Color Temperature follows the guidelines of the American National Standard for Specifications for the Chromaticity of Solid State Lighting (SSL) Products, ANSI C78.377-2017.

OTHER

Warranty

RAB warrants that our LED products will be free from defects in materials and workmanship for a period of five (5) years from the date of delivery to the end user, including coverage of light output, color stability, driver performance and fixture finish. RAB's warranty is subject to all terms and conditions found at rablighting.com/warranty.

AURA Decorative Surface Mount



ACCESSORIES

Stem



Aura Stem Black



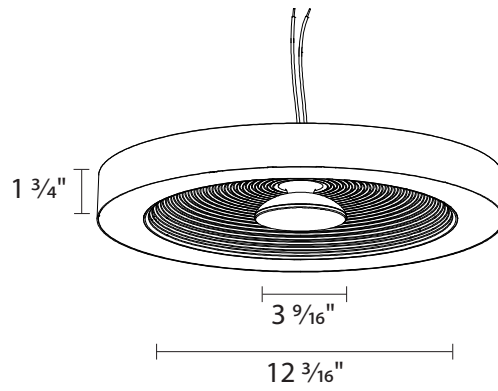
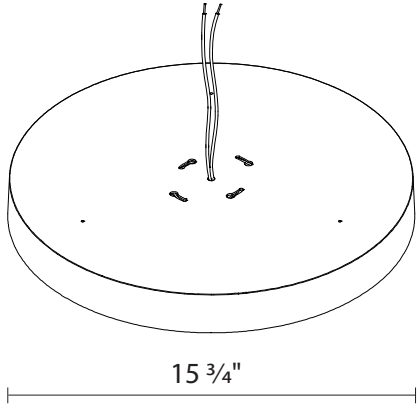
Aura Stem White

Catalog Number	UPC	Description
AURA-STEM	192552057264	AURA SUMO ACC PENDANT WHITE WIRE & CANOPY
AURA-STEMB	192552057271	AURA SUMO ACC PENDANT BLACK WIRE & CANOPY

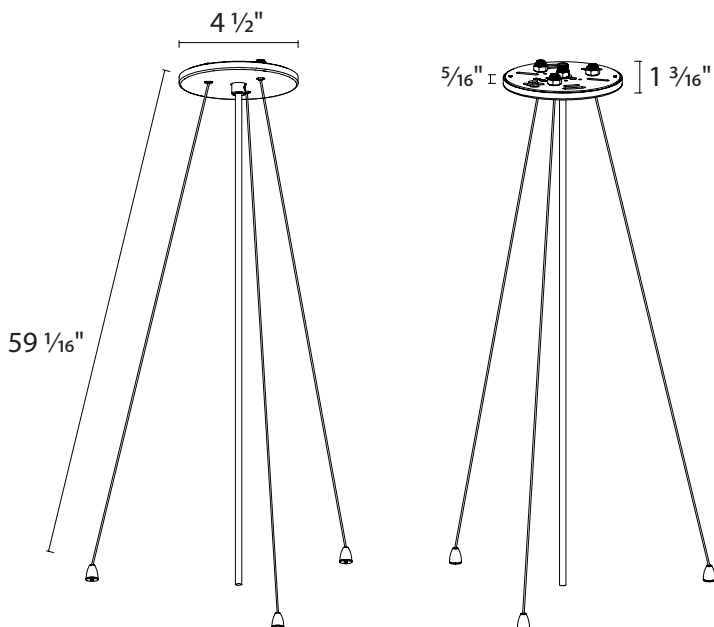
DIMENSIONS

12" Surface

Weight: 2.98 lbs



Stem



AURA Decorative Surface Mount



ORDERING INFO

Catalog Number	Model Number	UPC	Case Pack
AURA-S16	AURA-S16	192552057240	6
AURA-S16BG	AURA-S16BG	192552057257	6

ORDERING MATRIX

Family	Mount	Size/Wattage	Shape	CRI/Color Temp.	Driver	Finish
AURA	S					
S	Surface	16 16", 25/20/15W	Blank Round	Blank 90CRI; 2700/3000/3500/4000/5000K CCT Adjustable	Blank 120V; TRIAC/ELV	Blank /BG White Housing, White Reflector Black Housing, Gold Reflector

AURA Decorative Surface Mount



DIMMER COMPATIBILITY LIST

AURA-S16
AURA-S16BG

Dimmer Brand	Dimmer Model	Claimed Dimming Range (~100%)	Max. Qty @ One Dimmer
RAB	XDIM	10~100%	35
RAB	XDIM/LCB[S]	10~100%	35
LUTRON	MACL-153M	10~100%	15
LUTRON	SCL-153P	10~100%	15
LEVITON	6674	10~100%	15
LUTRON	DVCL-153P	10~100%	15
LEVITON	6672	10~100%	15
LEGRAND	RHCL453PTC	10~100%	50
LEGRAND	HCL453PTCCCV6	10~100%	50
LUTRON	TGCL-153PH-WH	10~100%	15
LEVITON	R12-06672-1LW	10~100%	15
LEVITON	R50-IPL06-10M	10~100%	15
LUTRON	DVWCL-153PH-WH	10~100%	15