

B17 Ultra-Economy, Field-Adjustable Bollards



PROJECT:

DATE:

TYPE:

PREPARED BY:



KEY FEATURES

- 3-way adjustable, ultra-economy bollards
Selectable Wattages: 24/19/14W, factory default: 24W
Selectable CCT: 5000/4000/3000K, factory default: 4000K
Selectable **photocell** that can be turned on and off
- UL Listed for **wet** locations
- Voltage Rating: 120-277V
- IP65 rated
- 5-Year, Limited Warranty

Ultra-economy, field-adjustable bollards



0-10V



50,000 HOURS



3-WAY ADJUSTABLE



IP RATING



WET RATED

TECHNICAL SPECIFICATIONS

COMPLIANCE

UL Listed

Suitable for wet locations

DLC Listed

This product is listed by Design Lights Consortium (DLC) as an ultra-efficient premium product that qualifies for the highest tier of rebates from DLC Member Utilities. Designed to meet DLC 5.1 requirements.

Model#	DLC ID
B17	S-IBM8NU
B17S	S-L2IZOA
B17D	S-VXGT3F

IP Rating

IP65 rated

LED CHARACTERISTICS

LEDs

Long-life, high-efficacy, discrete, surface-mount LEDs

Color Uniformity

RAB's range of Correlated Color Temperature follows the guidelines of the American National Standard for Specifications for the Chromaticity of Solid State Lighting (SSL) Products, ANSI C78.377-2017.

CONSTRUCTION

Cold Weather Starting

The minimum starting temperature is -40°C (-40°F)

Maximum Ambient Temperature

Suitable for use in up to 50°C (122°F)

Mounting

3 (Three) anchors for round version B17 and B17D. 4 (Four) anchors bolts for square version B17S. Internal base doesn't have leveling screws.

Housing

Die-cast aluminum

Lens

Polycarbonate

Reflector Material

Aluminum

Top (Head)/Shape:

Flat Top/Round

Flat Top/Square

Dome Top/Round

Green Technology

Mercury and UV free. RoHs-compliant components.

Finish

Formulated for high durability and long-lasting color

B17 Ultra-Economy, Field-Adjustable Bollards



TECHNICAL SPECIFICATIONS

ELECTRICAL

Drivers:

Constant Current, Class 2, Class P, 120-277V, 50/60 Hz
24W: 120V: 0.20A, 208V: 0.12A, 240V: 0.10A, 277V: 0.09A
19W: 120V: 0.16A, 208V: 0.10A, 240V: 0.08A, 277V: 0.07A
14W: 120V: 0.12A, 208V: 0.07A, 240V: 0.06A, 277V: 0.05A

Dimming Driver:

Driver includes dimming control wiring for 0-10V dimming systems.
 Requires separate 0-10V DC dimming circuit. Dims down to 10%.

THD:

B17: 4.89% at 120V, 9.32% at 277V
 B17S: 5.18% at 120V, 8.93% at 277V
 B17D: 5.31% at 120V, 9.2% at 277V

Power Factor:

B17: 99.3% at 120V, 95.5% at 277V
 B17S: 99.3% at 120V, 95.7% at 277V
 B17D: 99.3% at 120V, 95.5% at 277V

ELECTRICAL

Photocell:

Integrated photocell included with on/off switch

Surge Protection

4kV

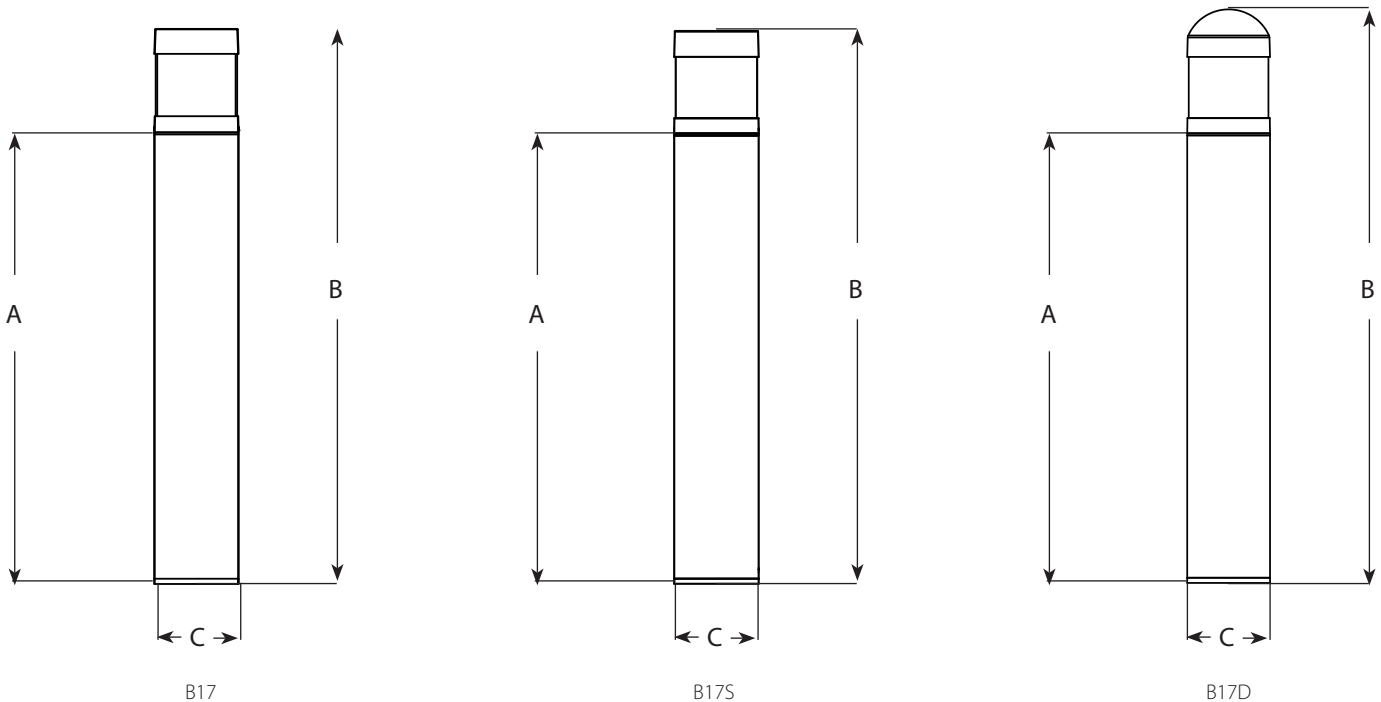
Note: All values are typical (tolerance +/- 10%)

OTHER

Warranty

The RAB 5-year, limited warranty covers light output, driver performance and paint finish. RAB's warranty is subject to all terms and conditions found at rablighting.com/warranty.

DIMENSIONS



MODEL	A	B	C	Weight
B17	33 5/8"	42"	6 1/4"	12.01 lbs
B17S	33 5/8"	42"	6 1/4"	16.93 lbs
B17D	33 5/8"	43 5/8"	6 1/4"	12.11 lbs

B17 Ultra-Economy, Field-Adjustable Bollards



PERFORMANCE

B17	5000K	4000K	3000K	5000K	4000K	3000K	5000K	4000K	3000K
WATTAGE	24W			19W			13W		
LUMENS	3409	3314	3291	2780	2752	2669	2015	2001	1959
EFFICACY (LM/W)	148.3	151.6	143.9	152.6	154.3	147.0	155.3	156.1	150.9
CRI	74	75	72	74	75	72	74	75	72
VOLTAGE RATINGS	120-277V								

B17S	5000K	4000K	3000K	5000K	4000K	3000K	5000K	4000K	3000K
WATTAGE	24W			19W			13W		
LUMENS	3095	3120	2979	2484	2461	2375	1808	1773	1725
EFFICACY (LM/W)	135.3	138.4	130.0	138.5	140.0	132.9	141.3	141.0	135.6
CRI	74	75	72	74	75	73	74	75	73
VOLTAGE RATINGS	120-277V								

B17D	5000K	4000K	3000K	5000K	4000K	3000K	5000K	4000K	3000K
WATTAGE	24W			19W			13W		
LUMENS	3409	3314	3291	2780	2752	2669	2015	2001	1959
EFFICACY (LM/W)	148.3	151.6	143.9	152.6	154.3	147.0	155.3	156.1	150.9
CRI	74	75	72	74	75	72	74	75	72
VOLTAGE RATINGS	120-277V								

ORDERING MATRIX

B17

Family	Shape	Wattage	Color Temperature	Voltage	Top (Head)	Finish	Options
B17	<input type="text"/>	<input type="text"/>	<input type="text"/>	<input type="text"/>	<input type="text"/>	<input type="text"/>	<input type="text"/>
	BLANK Round S Square	BLANK 24/19/13W Selectable	BLANK 5000/4000/3000K Selectable	BLANK 120-277V, 0-10V Dimming	BLANK Flat top (Round and Square) Dome (Round only)	BLANK Bronze W White B Black	BLANK Integrated On/off photocell (Standard)