

BULKH Field-Adjustable Wall Scones



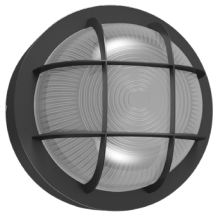
BULKH10



BULKH20



BULKH15R



PROJECT: _____

DATE: _____

TYPE: _____

PREPARED BY: _____



KEY FEATURES

- Available in two different shapes & following selectable wattages:
 - BULKH10: Oval: 10/8/6W
 - BULKH20: Oval: 30/16/12W
 - BULKH15: Round: 15/12/9W
- CCT: 3000/4000/5000K adjustable
- Input voltage: 120-277V
- On/Off photocell
- Integrated wire grill
- 5-year, limited warranty

Field-Adjustable wall scones with integrated grill



TECHNICAL SPECIFICATIONS

LED CHARACTERISTICS

LEDs

Long-life, high-efficacy, discrete, surface-mount LEDs

Color Consistency

7-step MacAdam Ellipse binning to achieve consistent fixture-to-fixture color

Color Uniformity

RAB's range of Correlated Color Temperature follows the guidelines of the American National Standard for Specifications for the Chromaticity of Solid State Lighting (SSL) Products, ANSI C78.377-2017.

COMPLIANCE

UL Listed

Suitable for wet locations

CONSTRUCTION

Cold Weather Starting

The minimum starting temperature is -40°C (-40°F)

Maximum Ambient Temperature

Suitable for use in up to 45°C (113°F)

Mounting

Wall Mount

Housing

Precision die-cast aluminum

Lens

Glass

CONSTRUCTION

Gasket

Silicone

Green Technology

Mercury and UV free. RoHs-compliant components.

Finish

Formulated for high durability and long lasting color

IP Rating:

Ingress protection rating of IP65 for dust and water

ELECTRICAL

Drivers:

Constant Current, Class 1, 120-277V, 50/60 Hz

BULKH10:

10W: 120V: 0.1A, 208V: 0.051A, 240V: 0.042A, 277V: 0.038A

8W: 120V: 0.065A, 208V: 0.04A, 240V: 0.035A, 277V: 0.032A

6W: 120V: 0.047A, 208V: 0.03A, 240V: 0.027A, 277V: 0.025A

BULKH20:

20W: 120V: 0.2A, 208V: 0.098A, 240V: 0.085A, 277V: 0.076A

16W: 120V: 0.145A, 208V: 0.08A, 240V: 0.07A, 277V: 0.065A

12W: 120V: 0.1A, 208V: 0.06A, 240V: 0.055A, 277V: 0.05A

BULKH15R:

15W: 120V: 0.125A, 208V: 0.073A, 240V: 0.063A, 277V: 0.06A

12W: 120V: 0.1A, 208V: 0.06A, 240V: 0.049A, 277V: 0.05A

9W: 120V: 0.075A, 208V: 0.045A, 240V: 0.038A, 277V: 0.04A

Surge Protection:

2kV

Photocell:

Integrated on/off photocell

BULKH Field-Adjustable Wall Scones



TECHNICAL SPECIFICATIONS (CONTINUED)

ELECTRICAL

Dimming Driver:

Driver includes dimming control wiring for 0-10V dimming systems. Requires separate 0-10V DC dimming circuit. Dims down to 10%.

THD: @4000K

BULKH10:

10W: 23.7% at 120V, 14.8% at 277V
8W: 25.9% at 120V, 15.6% at 277V
6W: 24.1% at 120V, 18.7% at 277V

BULKH20:

20W: 17.7% at 120V, 13.7% at 277V
16W: 17.9% at 120V, 13.7% at 277V
12W: 16.5% at 120V, 12.1% at 277V

BULKH15R:

15W: 16.9% at 120V, 11.7% at 277V
12W: 16.9% at 120V, 11.9% at 277V
9W: 19.4% at 120V, 17.6% at 277V

Power Factor: @5000K

BULKH10:

10W: 97.0% at 120V, 93.5% at 277V
8W: 96.3% at 120V, 91.0% at 277V
6W: 96.5% at 120V, 86.4% at 277V

BULKH20:

20W: 98.5% at 120V, 93.8% at 277V
16W: 98.4% at 120V, 91.7% at 277V
12W: 98.3% at 120V, 87.4% at 277V

BULKH15R:

15W: 98.1% at 120V, 92.5% at 277V
12W: 97.9% at 120V, 91.1% at 277V
9W: 97.1% at 120V, 86.5% at 277V

Note

All values are typical (tolerance +/- 10%)

FACTORY DEFAULT

Power-adjustable:

BULKH10 (Oval): 10/8/6W (Default - **10W**)

BULKH20 (Oval): 30/16/12W (Default - **20W**)

BULKH15 (Round): 15/12/9W (Default - **15W**)

Adjustable CCT: 3000/4000/5000K (Default - 5000K)

On/Off Photocell: Default - On

PERFORMANCE

Lifespan

100,000 Hour LED lifespan based on IES LM-80 results and TM-21 calculations

OTHER

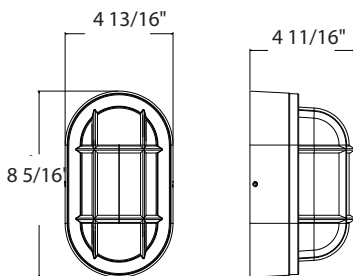
Warranty

The RAB 5-year, limited warranty covers light output, driver performance and paint finish. RAB's warranty is subject to all terms and conditions found at rablighting.com/warranty.

DIMENSIONS

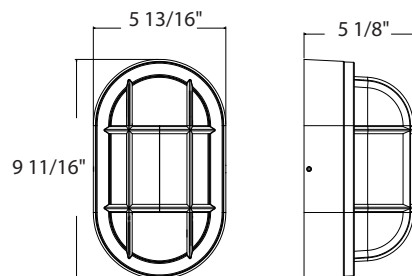
BULKH10

Weight: 2.5 lbs



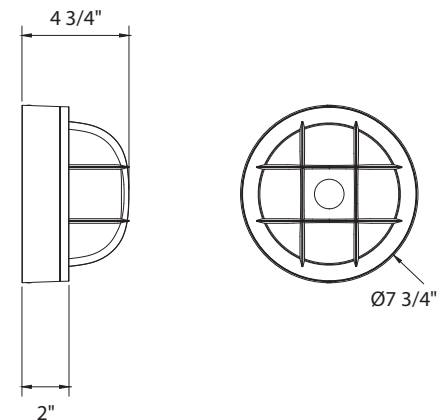
BULKH20

Weight: 3.3 lbs



BULKH15R

Weight: 3.28 lbs



BULKH Field-Adjustable Wall Scones



PERFORMANCE

BULKH10	3000K	4000K	5000K	3000K	4000K	5000K	3000K	4000K	5000K
Wattage	10W			8W			6W		
Input Watts	9.95W	9.6W	10.0W	7.87W	7.66W	7.92W	5.93W	5.82W	5.98W
Lumens	896	1,002	930	737	815	770	573	624	601
Lm/W	90.1	104.4	93.0	93.6	106.4	97.2	96.6	107.2	100.5
CRI	82	84	82	82	84	82	82	84	82
Voltage Ratings	120-277V								

BULKH20	3000K	4000K	5000K	3000K	4000K	5000K	3000K	4000K	5000K
Wattage	20W			16W			12W		
Input Watts	19.14W	18.47W	19.32W	15.07W	14.67W	15.22W	11.43W	11.18W	11.52W
Lumens	1,782	2,043	1,882	1,484	1,671	1,574	1,174	1,293	1,245
Lm/W	93.1	110.6	97.4	98.5	113.9	103.4	102.7	115.7	108.1
CRI	82	84	82	82	84	82	82	84	82
Voltage Ratings	120-277V								

BULKH15R	3000K	4000K	5000K	3000K	4000K	5000K	3000K	4000K	5000K
Wattage	15W			12W			9W		
Input Watts	14.5W	14.1W	14.6W	12.2W	11.9W	12.3W	9.2W	9.1W	9.3W
Lumens	1,563	1,684	1,644	1,338	1,425	1,405	1,018	1,080	1,073
Lm/W	107.8	119.4	112.6	109.7	119.7	114.2	110.7	118.7	115.4
CRI	83	85	84	83	86	84	83	86	84
Voltage Ratings	120-277V								

ORDERING MATRIX

BULKH

Family	Wattage	Color Temperature	Shape	Finish	Voltage Ratings	Option					
BULKH											
10	10/8/6W *	BLANK	3000/4000/5000K, CCT Adjustable	BLANK	Oval	BLANK	Bronze	BLANK	120-277V	BLANK	On/Off photocell
15	15/12/9W **			R	Round	W	White				
20	20/16/12W *										

* Only available in oval shape
 ** Only available in round shape