

INSTRUCTIONS

CRLED Field-Adjustable Downlight Installation



RAB Lighting is committed to creating high-quality, affordable, well-designed and energy-efficient LED lighting and controls that make it easy for electricians to install and end users to save energy. We'd love to hear your comments. Please call the Marketing Department at 888-RAB-1000 or email: marketing@rablighting.com

CR4
CR6
CR8
CR10



IMPORTANT

READ CAREFULLY BEFORE INSTALLING FIXTURE. RETAIN THESE INSTRUCTIONS FOR FUTURE REFERENCE.

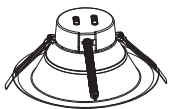
RAB fixtures must be wired in accordance with the National Electrical Code and all applicable local codes. Proper grounding is required for safety. THIS PRODUCT MUST BE INSTALLED IN ACCORDANCE WITH THE APPLICABLE INSTALLATION CODE BY A PERSON FAMILIAR WITH THE CONSTRUCTION AND OPERATION OF THE PRODUCT AND THE HAZARDS INVOLVED.

WARNINGS:

- Risk of electrical shock. Disconnect power at fuse or circuit breaker before installing or servicing.
- To prevent early lamp failure, lamp should only be installed in operating environments ranging between -30°C and 40°C (-22°F and 104°F).
- No user serviceable parts inside. To avoid electrical shock do not disassemble product.
- Risk of fire or electric shock. LED Retrofit Kit installation requires knowledge of luminaires electrical systems. If not qualified, do not attempt installation. Contact a qualified electrician.
- Risk of fire or electric shock. Install this kit only in luminaires that have the construction features and minimum dimensions shown in these instructions and where the input rating of the retrofit kit does not exceed the input rating of the luminaire.
- Do not make or alter any open holes in an enclosure of wiring or electrical components during kit installation
- To prevent wiring damage or abrasion, do not expose wiring to edges of sheet metal or other sharp objects.
- Installers should not disconnect existing wires from lampholder terminals to make new connections at lampholder terminals. Instead installers should cut existing lampholder leads away from the lampholder and make new electrical connections to lampholder lead wires by employing applicable connectors.
- The retrofit kit is accepted as a component of a luminaire where the suitability of the combination shall be determined by authorities having jurisdiction. Product must be installed by a qualified electrician in accordance with the applicable and appropriate electrical codes. The installation guide does not supersede local or national regulations for electrical installations.
- This device is not intended for use with emergency exits.
- Caution - risk of fire. Consult a qualified electrician to ensure correct branch circuit conductor.
- Minimum 90°C supply conductors
- Installers should examine all parts that are not intended to be replaced by the retrofit kit for damage and replace any damaged parts prior to installation of the retrofit kit.

This equipment has been tested and found to comply with the limits for a Class A digital device, pursuant to part 15 of the FCC Rules. These limits are designed to provide reasonable protection against harmful interference when the equipment is operated in a commercial environment. This equipment generates, uses, and can radiate radio frequency energy and, if not installed and used in accordance with the instruction manual, may cause harmful interference to radio communications. Operation of this equipment in a residential area is likely to cause harmful interference in which case the user will be required to correct the interference at his own expense.

WHAT'S IN THE BOX



Downlight (1)



MC connector (1)



Wire Nuts (5) for 4 inch
Wire Nuts (6) for 6 & 8 & 10 inch

THIS LUMINAIRE HAS BEEN MODIFIED TO OPERATE LED LAMPS.
DO NOT ATTEMPT TO INSTALL OR OPERATE INCANDESCENT LAMPS IN THIS LUMINAIRE.
REPLACE ONLY WITH RAB Lighting Inc.
@RABLIGHTING.COM 888-722-1000
MODEL#

Lumi Sticker (1)



Template (1)

TOOLS NEEDED

This downlight requires very few tools for installation. A screwdriver and a pair of wirecutters will help to install the downlight to a junction box or housing.

INSTRUCTIONS

CRLED Field-Adjustable Downlight Installation

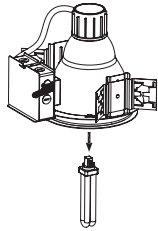


RAB Lighting is committed to creating high-quality, affordable, well-designed and energy-efficient LED lighting and controls that make it easy for electricians to install and end users to save energy. We'd love to hear your comments. Please call the Marketing Department at 888-RAB-1000 or email: marketing@rablighting.com

INSTALLATION WITH EXISTING FRAME

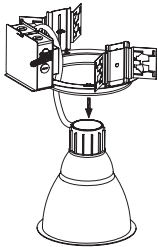
1. Shut power OFF to the fixture.
2. Remove CFL, Incandescent or HID lamp. (Fig.1)

Fig: 1



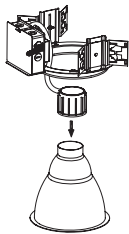
3. Remove reflector from rough-in (mounting frame). (Fig.2)

Fig: 2



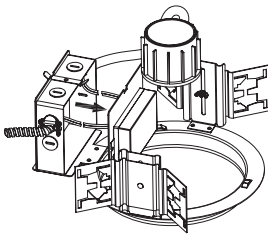
4. Remove socket assembly from reflector. (Fig.3)

Fig: 3



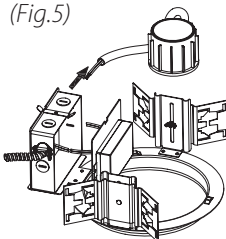
5. Remove junction box metal plate with existing lamp ballast. Do not dispose. Disconnect all wires from the ballast. (Fig.4)

Fig: 4



6. Remove the existing lamp metal conduit (MC) cable from the junction box. (Fig.5)

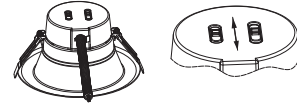
Fig: 5



INSTALLATION WITH EXISTING FRAME (cont'd)

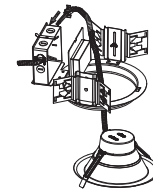
7. Select desired lumen and CCT level using switch on driver box. (Fig.6)

Fig: 6



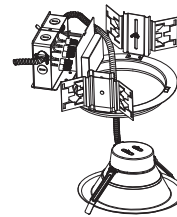
8. Fasten the downlight MC cable to the junction box. (Fig.7)

Fig: 7



9. Wire the fixture using UL listed wire connectors according to NEC and local codes. (Fig.8)

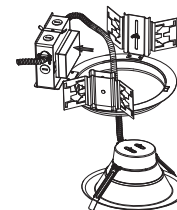
Fig: 8



LINE		BLACK	LIGHT FIXTURE
COMMON		WHITE	
(+) DIMV		PURPLE	
(-) DIMV		PINK(or GRAY)	
GROUND		GROUND	

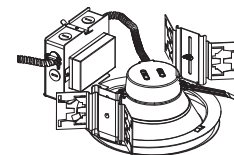
10. Install the junction box cover plate. (Fig.9)

Fig: 9



11. Install the downlight in the rough-in by lifting upward both retention tabs. Push the downlight until the trim sits flush against the ceiling. (Fig.10)

Fig: 10



12. Turn power ON.

INSTRUCTIONS

CRLED Field-Adjustable Downlight Installation

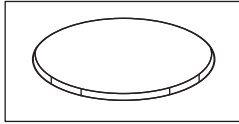


RAB Lighting is committed to creating high-quality, affordable, well-designed and energy-efficient LED lighting and controls that make it easy for electricians to install and end users to save energy. We'd love to hear your comments. Please call the Marketing Department at 888-RAB-1000 or email: marketing@rablighting.com

INSTALLATION WITHOUT EXISTING FRAME

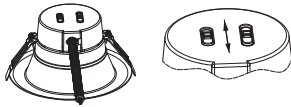
1. Use the template included in the box to cut a hole in the ceiling. (Fig.11)

Fig: 11



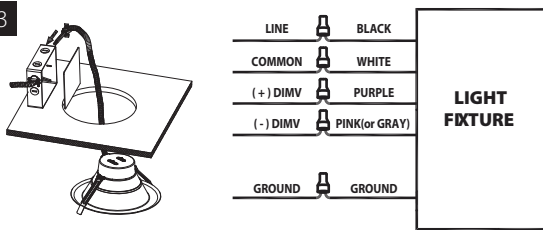
2. Select desired lumen and CCT level using switch on driver box. (Fig.12)

Fig: 12



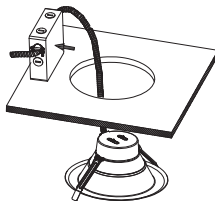
3. Shut power OFF to the fixture. Fasten the downlight MC cable to a junction box with MC connector. Wire the fixture using UL listed wire connectors according to NEC and local codes. (Fig.13)

Fig: 13



4. Install junction box cover plate. (Fig.14)

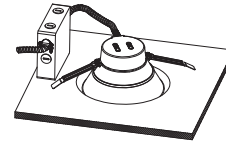
Fig: 14



INSTALLATION WITHOUT EXISTING FRAME (cont'd)

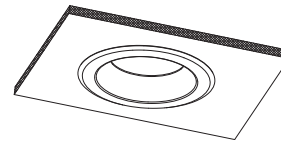
5. Install the downlight by lifting both retention tabs upward. (Fig.15)

Fig: 15



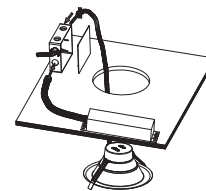
6. Push the downlight until the trim sits flush against the ceiling. (Fig.16)

Fig: 16

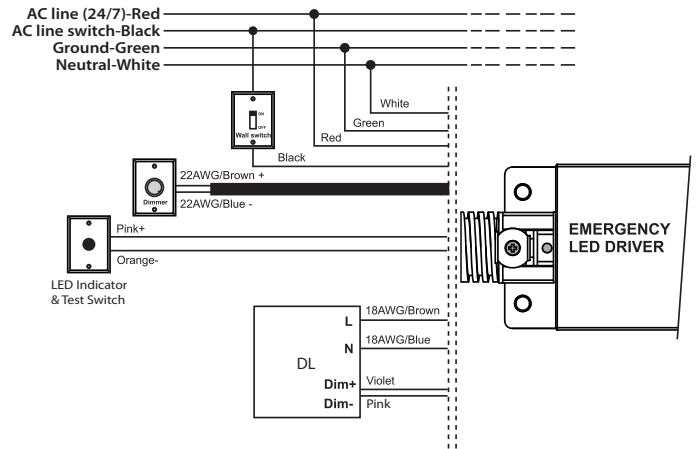


INSTALLATION WITH EMERGENCY BATTERY BACKUP

Take out the Emergency Battery Backup (EMBB) driver (DRI-21-EMGR-DC-D10) and snap in the MC cable from the EMBB into the junction box. Fasten the downlight MC cable to the junction box. In the junction box, use wire nuts to do the wire connections as illustrated in the diagram below. Make sure EMBB is grounded. Please visit rablighting.com to view the emergency battery backup compatibility list.



Wiring diagram



Note: These instructions do not cover all details or variations in equipment nor do they provide for every possible situation during installation, operation or maintenance.

INSTRUCTIONS

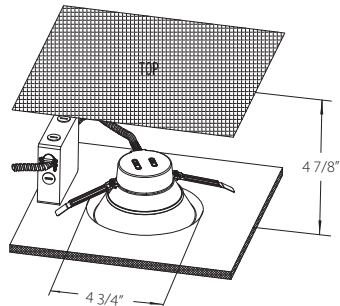
CRLED Field-Adjustable Downlight Installation



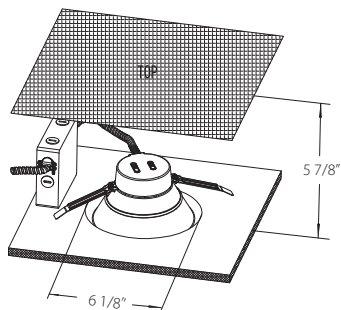
RAB Lighting is committed to creating high-quality, affordable, well-designed and energy-efficient LED lighting and controls that make it easy for electricians to install and end users to save energy. We'd love to hear your comments. Please call the Marketing Department at 888-RAB-1000 or email: marketing@rablighting.com

MINIMUM LUMINAIRE DIMENSION

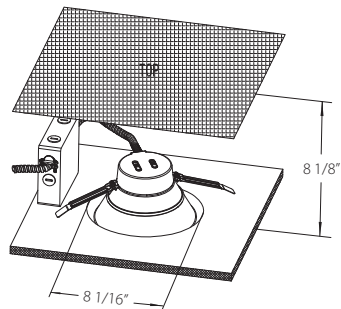
4"



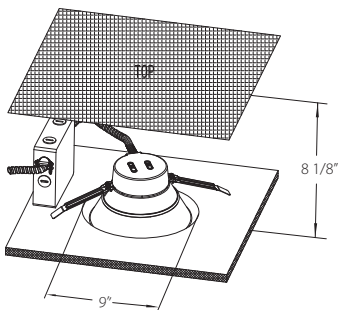
6"



8"

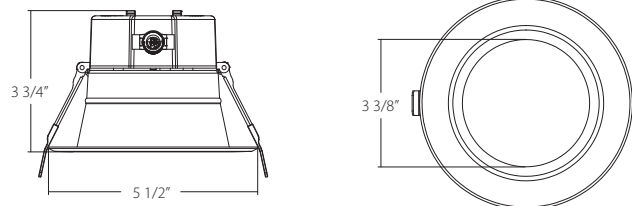


10"

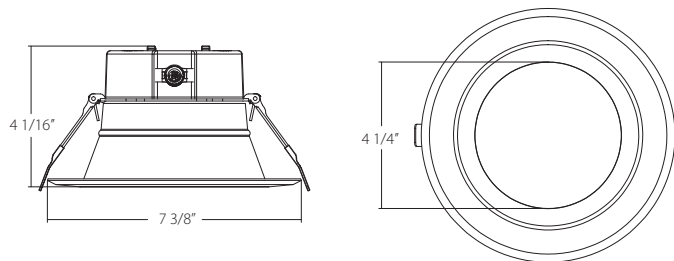


DIMENSIONAL DRAWINGS

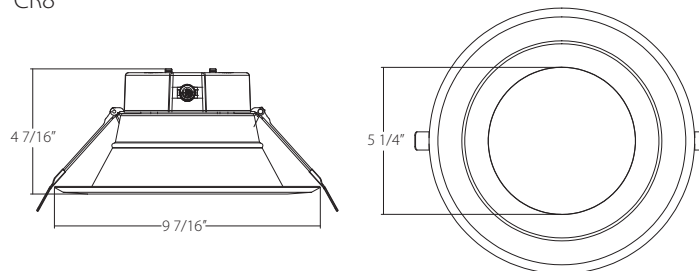
CR4



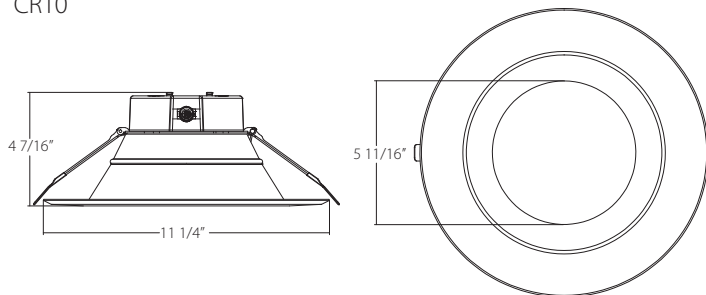
CR6



CR8



CR10



INSTRUCTIONS

CRLED Field-Adjustable Downlight Installation

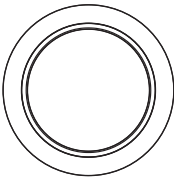


RAB Lighting is committed to creating high-quality, affordable, well-designed and energy-efficient LED lighting and controls that make it easy for electricians to install and end users to save energy. We'd love to hear your comments. Please call the Marketing Department at 888-RAB-1000 or email: marketing@rablighting.com

OPTIONAL ACCESSORIES

GOOF RING

Visit rablighting.com for the downlight accessory compatibility lists.



DL4-6GOOF/R/P/CRLEDFA
For use with 6" ceiling hole applications

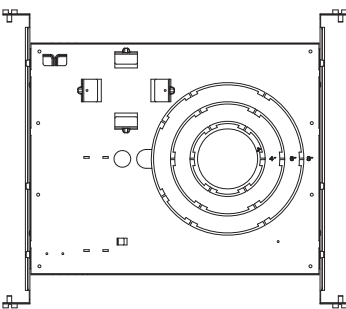
DL6-8GOOF/R/P/CRLEDFA
For use with 8" ceiling hole applications

DL8-10GOOF/R/P/CRLEDFA
For use with 10" ceiling hole applications

DL8-12GOOF/R/P/CRLEDFA
For use with 12" ceiling hole applications

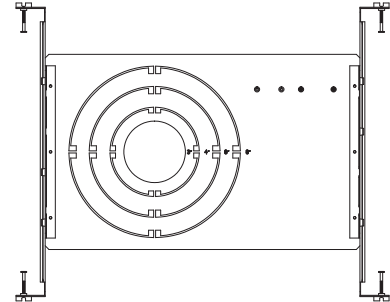
DL10-12GOOF/R/P/CRLEDFA
For use with 12" ceiling hole applications

PLATE

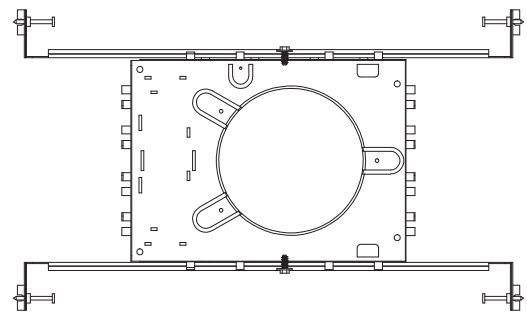


DLPLATE/C3468R/NB
Mounting plate with nailer bar

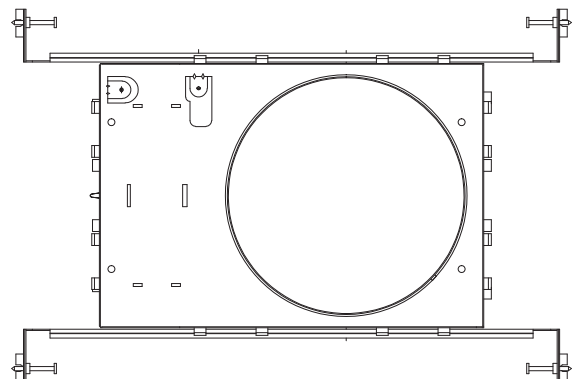
OPTIONAL ACCESSORIES (cont'd)



DLPLATE/WFR3468/NB
Mounting plate with nailer bar



DLPLATE/WFR4/NB/CL



DLPLATE/WFR6/NB/CL

Note: Not compatible with "CRLEDFA-4R-12S-9CCT-UNV-WS"

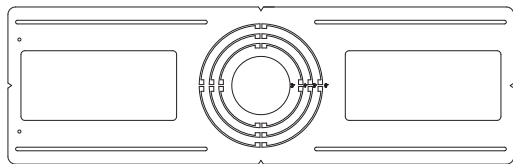
INSTRUCTIONS

CRLED Field-Adjustable Downlight Installation

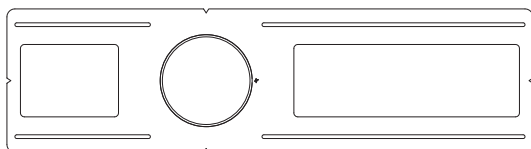


RAB Lighting is committed to creating high-quality, affordable, well-designed and energy-efficient LED lighting and controls that make it easy for electricians to install and end users to save energy. We'd love to hear your comments. Please call the Marketing Department at 888-RAB-1000 or email: marketing@rablighting.com

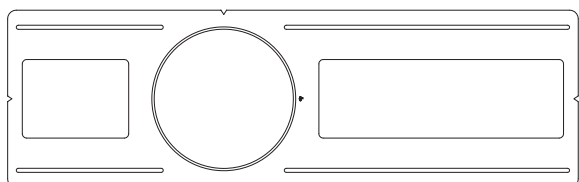
OPTIONAL ACCESSORIES (cont'd)



DLPLATE/WFR3456
Only compatible with CR4 and CR6



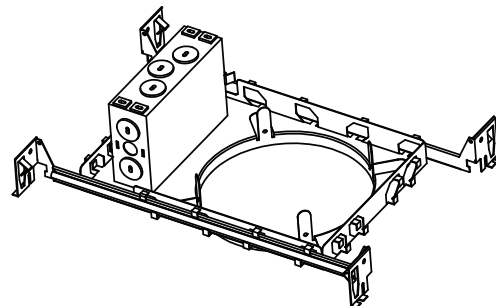
DLPLATE/WFR4



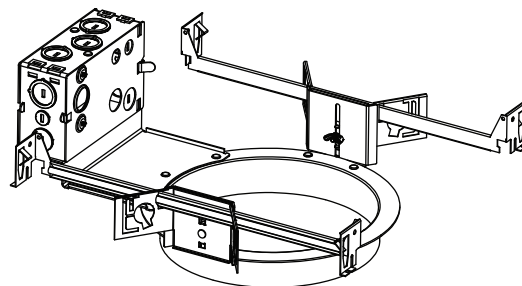
DLPLATE/WFR6

OPTIONAL ACCESSORIES (cont'd)

FRAME



DLFRAME/C6R



DLFRAME/C8R

Easy Answers

rablighting.com
Visit our website for product info

Tech Help Line
Call our experts: 888 722-1000

e-mail
Answered promptly - sales@rablighting.com

Free Lighting Layouts
Answered online or by request

RAB WARRANTY: RAB's warranty is subject to all terms and conditions found at rablighting.com/warranty.