

PROJECT: \_\_\_\_\_

DATE: \_\_\_\_\_

TYPE: \_\_\_\_\_

PREPARED BY: \_\_\_\_\_



(\*Apply to daisy wafer kit only.)

## Field-Adjustable Daisy Wafer, 90 CRI



### KEY FEATURES

- Power multiple wafers with a single driver (4" up to 10 pcs., 6" up to 8 pcs.)
- 5 color temperatures in 1 SKU (2700K, 3000K, 3500K, 4000K, 5000K)
- Super slim, edge-lit fixture
- No recessed housing or J-box required
- New construction or retrofit applications
- 50,000-Hour lifespan

### PERFORMANCE

Catalog Number	Size	Product Type	Trim	Wattage Equivalency	Input Wattage	Lumens (Nominal)	Efficacy	Color Temperature
DAISYKIT4	4"	Daisy Wafer Kit w/Driver	Smooth	(6)-60W Incandescent	54W	4,459 Lm	83 Lm/W	Field-adjustable dip switch 2700/3000/3500/4000/5000K
DAISYKIT6	6"			(6)-75W Incandescent	72W	6,739 Lm	96 Lm/W	
DAISY4	4"	Daisy Wafer w/o Driver	Smooth	60W Incandescent	8.5W	740 Lm	76 Lm/W	
DAISY6	6"			75W Incandescent	11W	1,114 Lm	91 Lm/W	
DAISYKIT4B	4"	Daisy Wafer Kit w/Driver	Baffle	(6)-60W Incandescent	54W	4,488 Lm	84 Lm/W	
DAISYKIT6B	6"			(6)-75W Incandescent	72W	6,689 Lm	95 Lm/W	
DAISY4B	4"	Daisy Wafer w/o Driver	Baffle	60W Incandescent	8.5W	750 Lm	77 Lm/W	
DAISY6B	6"			75W Incandescent	11W	1,115 Lm	91 Lm/W	

Catalog Number	Wattage	CCT	Lumens	Efficacy	Equivalency Wattage
DAISYKIT4	54W	2700K	3,960 Lm	74 Lm/W	240W
		3000K	4,193 Lm	78 Lm/W	
		3500K	4,383 Lm	82 Lm/W	
		4000K	4,459 Lm	83 Lm/W	
		5000K	4,383 Lm	82 Lm/W	

## PERFORMANCE (CONT.)

Catalog Number	Wattage	CCT	Lumens	Efficacy	Equivalency Wattage
DAISYKIT4	54W	2700K	3,960 Lm	74 Lm/W	240W
		3000K	4,193 Lm	78 Lm/W	
		3500K	4,383 Lm	82 Lm/W	
		4000K	4,459 Lm	83 Lm/W	
		5000K	4,383 Lm	82 Lm/W	

Catalog Number	Wattage	CCT	Lumens	Efficacy	Equivalency Wattage
DAISYKIT6	72W	2700K	6,055 Lm	86 Lm/W	450W
		3000K	6,317 Lm	90 Lm/W	
		3500K	6,635 Lm	94 Lm/W	
		4000K	6,739 Lm	96 Lm/W	
		5000K	6,647 Lm	95 Lm/W	

Catalog Number	Wattage	CCT	Lumens	Efficacy	Equivalency Wattage
DAISY4	8.5W	2700K	659 Lm	68 Lm/W	40W
		3000K	696 Lm	71 Lm/W	
		3500K	729 Lm	75 Lm/W	
		4000K	740 Lm	76 Lm/W	
		5000K	727 Lm	75 Lm/W	

Catalog Number	Wattage	CCT	Lumens	Efficacy	Equivalency Wattage
DAISY6	11W	2700K	1,008 Lm	82 Lm/W	75W
		3000K	1,049 Lm	85 Lm/W	
		3500K	1,099 Lm	89 Lm/W	
		4000K	1,114 Lm	91 Lm/W	
		5000K	1,098 Lm	89 Lm/W	

Catalog Number	Wattage	CCT	Lumens	Efficacy	Equivalency Wattage
DAISYKIT4B	54W	2700K	4,005 Lm	75 Lm/W	240W
		3000K	4,223 Lm	79 Lm/W	
		3500K	4,426 Lm	83 Lm/W	
		4000K	4,488 Lm	84 Lm/W	
		5000K	4,403 Lm	82 Lm/W	

Catalog Number	Wattage	CCT	Lumens	Efficacy	Equivalency Wattage
DAISYKIT6B	72W	2700K	6,095 Lm	87 Lm/W	450W
		3000K	6,310 Lm	90 Lm/W	
		3500K	6,592 Lm	94 Lm/W	
		4000K	6,689 Lm	95 Lm/W	
		5000K	6,571 Lm	94 Lm/W	

## PERFORMANCE (CONT.)

Catalog Number	Wattage	CCT	Lumens	Efficacy	Equivalency Wattage
DAISY4B	8.5W	2700K	669 Lm	69 Lm/W	40W
		3000K	706 Lm	73 Lm/W	
		3500K	740 Lm	76 Lm/W	
		4000K	750 Lm	77 Lm/W	
		5000K	734 Lm	76 Lm/W	

Catalog Number	Wattage	CCT	Lumens	Efficacy	Equivalency Wattage
DAISY6B	11W	2700K	1,019 Lm	83 Lm/W	75W
		3000K	1,056 Lm	86 Lm/W	
		3500K	1,101 Lm	90 Lm/W	
		4000K	1,115 Lm	91 Lm/W	
		5000K	1,094 Lm	89 Lm/W	

## TECHNICAL SPECIFICATIONS

### CONSTRUCTION

#### Product Type

Daisy wafer and daisy wafer kit

#### Size

4" and 6"

#### Shape

Round

#### Enclosure Material

Polycarbonate

#### Finish

White

#### Trim Style

Smooth or Baffle

#### Lens

Polycarbonate light diffuser distributes light evenly and smoothly for general lighting applications

#### Cut Out Template Size

4" : 4-5/16"

6" : 6-5/16"

### ELECTRICAL

#### Dimmable

Yes, 0-10V dims down to 5% (See *Dimmer Compatibility List*)

#### Dimming Driver

Driver includes dimming control wiring for 0-10V dimming systems. Requires separate 0-10V DC dimming circuit. Dims down to 5%.

#### THD

<20%

#### Power Factor

≥0.9

#### Input Voltage

120-277V

#### Operating Frequency

60Hz

#### Operating Temperature

-13°F to 104°F (-25°C to 40°C)

#### Flicker

≤30%

### COMPLIANCE

#### Safety Listing

UL Listed

#### Environment

Suitable for use in dry, damp, and wet environments.

#### IC Rated

Suitable for direct contact with insulation.

Type IC inherently protected, suitable for direct contact to air permeable insulation and cULus listed for damp locations. Not for use in direct contact with spray foam insulation, consult NEMA LSD57-2013.

#### Energy Star Approved\*

This product is ENERGY STAR® Version 2.2 Certified.

#### Air Tight

Housing certified Air Tight as per ASTM E283

#### DLC Listed

No. There is no product category on the Design Lights Consortium (DLC) Qualified Products List for this product to qualify under.

#### T20 Compliant

Not applicable

#### California Title 24 JA8 Compliant\*

Can be used to conform with the requirements of California Title 24 Part 6

#### California Energy Commission (CEC) Status

Lawful for Sales in California

#### NEC Compliant

Suitable for use in closets. Compliant with NEC Sec. 410.16 (A)(1) and 410.16 (C3).

#### IESNA LM-79 & LM80 Testing

RAB LED luminaires and LED components have been tested by an independent laboratory in accordance with IESNA LM-79 and LM-80.

#### FCC

Complies with Part 15 of the FCC Rules.

#### RoHS

Mercury and UV free. RoHS-compliant components.

\*Apply to daisy wafer kit only.

### INSTALLATION

#### Mounting

Recessed

## TECHNICAL SPECIFICATIONS (CONT.)

### LED CHARACTERISTICS

**Color Temperature**

Field-adjustable dip switch 2700/3000/3500/4000/5000K

**Color Accuracy (CRI)**

>90 CRI

**R9 Value**

High color performance with R9 greater than or equal to 50

**Color Consistency**

4-step MacAdam Ellipse binning to achieve consistent fixture-to-fixture color

**Color Stability**

LED color temperature is warranted to shift no more than 200K in color temperature over a 5-year period

**Color Uniformity**

RAB's range of Correlated Color Temperature follows the guidelines of the American National Standard for Specifications for the Chromaticity of Solid State Lighting (SSL) Products, ANSI C78.377-2017.

### OTHER

**Warranty**

RAB warrants that our LED products will be free from defects in materials and workmanship for a period of five (5) years from the date of delivery to the end user, including coverage of light output, color stability, driver performance and fixture finish.

RAB's warranty is subject to all terms and conditions found at [rablighting.com/warranty](http://rablighting.com/warranty).

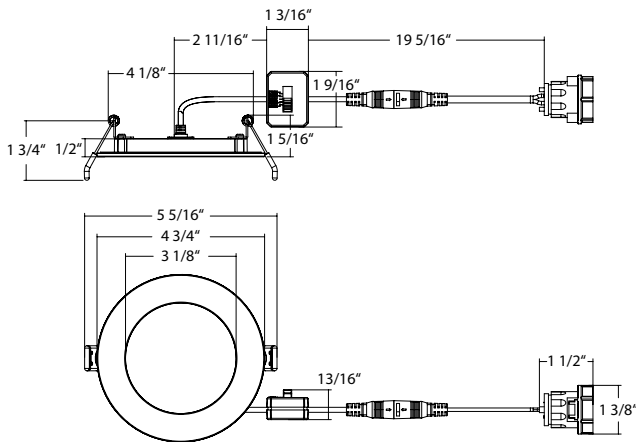
**Note**

All values are typical (tolerance +/- 10%)

## DIMENSIONS

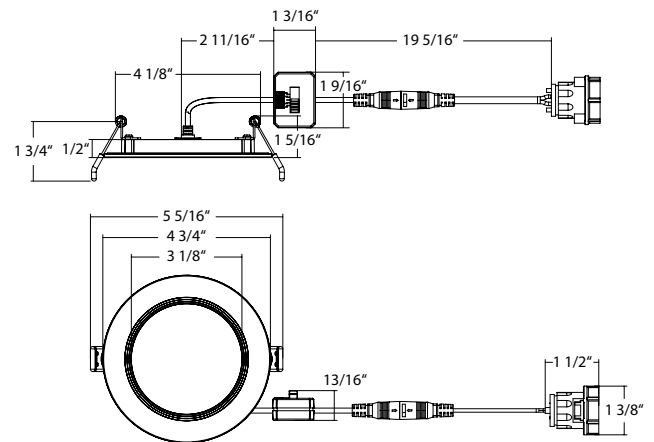
4" Smooth, Round

Weight: 0.47 lb



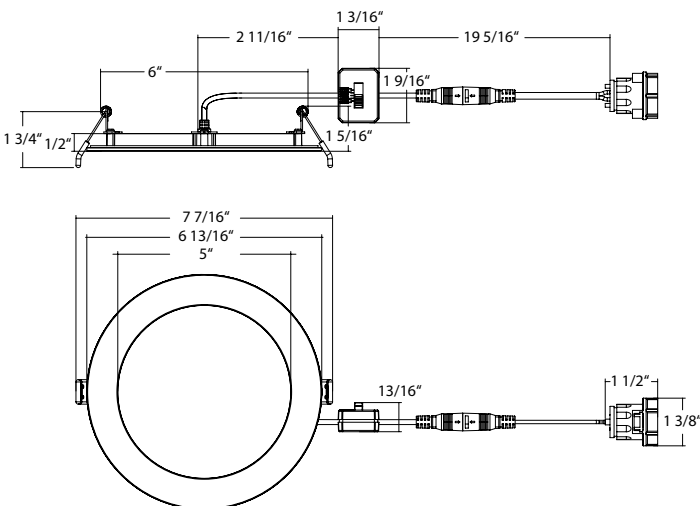
4" Baffle, Round

Weight: 0.48 lb



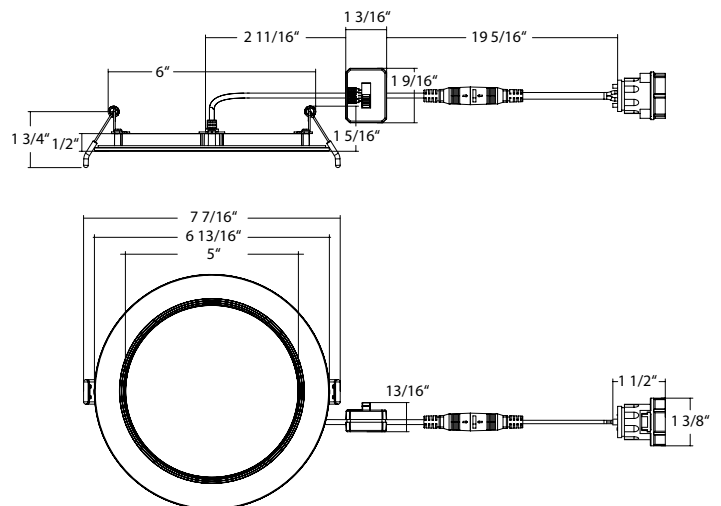
6" Smooth, Round

Weight: 0.77 lb



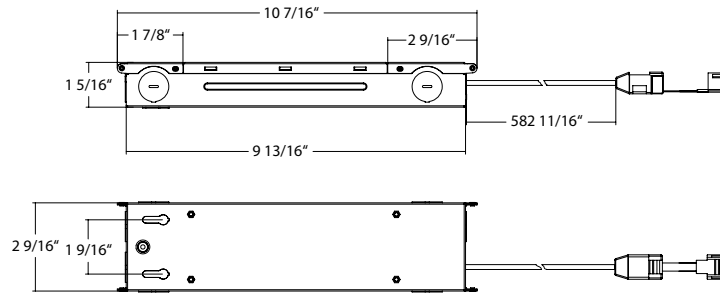
6" Baffle, Round

Weight: 0.78 lb



## DIMENSIONS (CONT.)

Daisy Kit driver



## ACCESSORIES

### Color Trims

#### 4" Round Smooth



Black



Bronze



Brushed Nickel

Catalog Number	UPC	Description
WFRL-TRIM-4R-BS	192552013659	4" Round Trim, Black
WFRL-TRIM-4R-BRS	192552013666	4" Round Trim, Bronze
WFRL-TRIM-4R-BNS	192552013673	4" Round Trim, Brushed Nickel

#### 6" Round Smooth



Black



Bronze



Brushed Nickel

Catalog Number	UPC	Description
WFRL-TRIM-6R-BS	192552013680	6" Round Trim, Black
WFRL-TRIM-6R-BRS	192552013697	6" Round Trim, Bronze
WFRL-TRIM-6R-BNS	192552013703	6" Round Trim, Brushed Nickel

### Goof Rings



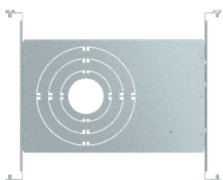
4"



6"

Catalog Number	UPC	Description
WFRL-GOOF-4R-6R-W	192552013604	For extending 4" wafer to 6"
WFRL-GOOF-6R-8R-W	192552013611	For extending 6" wafer to 8"

### Mounting Plate



DLPLATE/WFR3468/NB



DLPLATE/WFR3456

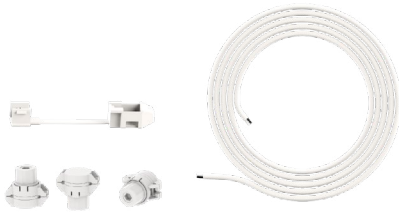
Catalog Number	UPC	Description
DLPLATE/WFR3468/NB	192552000673	Mounting plate with nailer bar for 3"/4"/6"/8" Wafers
DLPLATE/WFR3456	192552025584	Mounting plate for 3"/4"/5"/6" Wafers

## ACCESSORIES (CONT.)

### Extension Cables

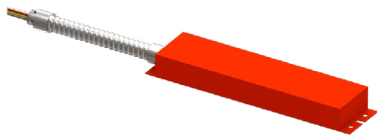


Catalog Number	UPC	Description
EXTCBL-CCT-6	019813908533	6' Extension Cable for Wafer CCT
EXTCBL-CCT-12	019813908540	12' Extension Cable for Wafer CCT
EXTCBL-CCT-20	019813908557	20' Extension Cable for Wafer CCT



Catalog Number	UPC	Description
DAISY50	192552028523	Daisy chain wafer accessory (1)-50FT cables + (6)connectors

### Emergency Driver



Catalog Number	UPC	Description
DRI-21-EMGR-DC-DC10	192552028264	Emergency backup driver

## ORDERING INFO

Catalog Number	Certification Model Number	UPC	Case Pack
DAISYKIT4	DAS0001(DAISYKIT4)	192552028530	24
DAISYKIT6	DAS0002(DAISYKIT6)	192552028547	24
DAISY4	DAS0003(DAISY4)	192552028554	12
DAISY6	DAS0004(DAISY6)	192552028561	12
DAISYKIT4B	DAS0005(DAISYKIT4B)	192552028578	24
DAISYKIT6B	DAS0006(DAISYKIT6B)	192552028585	24
DAISY4B	DAS0007(DAISY4B)	192552028592	12
DAISY6B	DAS0008(DAISY6B)	192552028608	12

## ORDERING MATRIX

Family	Kit	Size	Shape	CRI/Color Temp	Voltage	Finish	Trim
DAISY	<input type="text"/>	<input type="text"/>	<input type="text"/>	<input type="text"/>	<input type="text"/>	<input type="text"/>	<input type="text"/>
Blank KIT	1 wafer, 0 driver 6 wafers, 1 driver	4 6	4"/8.5W wafer 6"/11W wafer	Blank	Round	Blank	90CRI, Field-Adjustable 5000/4000/3500/3000/2700K
				Blank		Blank	White
				Blank	120-277V	Blank	White
						Blank	White
						Blank	Smooth Baffle