

Daisy Chain Wafer Downlight TRIAC/ELV



PROJECT: _____

DATE: _____

TYPE: _____

PREPARED BY: _____



(*Apply to daisy wafer kit only.)

Line voltage lighting kit powered by a single driver.



KEY FEATURES

- Power multiple wafers with a single driver (4" up to 10 pcs., 6" up to 8 pcs.)
- 5 color temperatures in 1 SKU (2700/3000/3500/4000/5000K)
- Super slim, edge-lit fixture with thin depth
- No recessed housing or J-box required
- 120V Driver dimmable on TRIAC/ELV dimmers

PERFORMANCE SUMMARY

| Catalog Number | Size | Trim | Wattage Equivalency | Input Wattage | Lumens (Nominal) | Efficacy | Color Temperature | Environment |
|----------------|------|--------|----------------------|---------------|------------------|----------|---|-------------|
| DAISYKIT4120V | 4" | Smooth | (6)-60W Incandescent | 55W | 4550lm | 83 lm/W | Field adjustable via dip switch 2700/3000/3500/4000/5000K | Wet |
| DAISYKIT6120V | 6" | | (6)-75W Incandescent | 74W | 6100 lm | 82 lm/W | | |

Daisy Chain Wafer Downlight TRIAC/ELV



PHOTOMETRIC DATA



Smooth Lens

| | Catalog Number | Wattage | CCT | Lumens | Efficacy |
|-----------------------|----------------|---------|-------|---------|------------|
| Kit System (6 Lights) | DAISYKIT4120V | 55W | 2700K | 4199 lm | 76.68 lm/W |
| | | | 3000K | 4400 lm | 80.27 lm/W |
| | | | 3500K | 4623 lm | 84.36 lm/W |
| | | | 4000K | 4728 lm | 86.20 lm/W |
| | | | 5000K | 4688 lm | 85.60 lm/W |
| Individual Downlight | DAISY4 | 8.5W | 2700K | 659 lm | 68 lm/W |
| | | | 3000K | 696 lm | 71 lm/W |
| | | | 3500K | 729 lm | 75 lm/W |
| | | | 4000K | 740 lm | 76 lm/W |
| | | | 5000K | 727 lm | 75 lm/W |
| Kit System (6 Lights) | DAISYKIT6120V | 74W | 2700K | 5791 lm | 79.67 lm/W |
| | | | 3000K | 6017 lm | 82.77 lm/W |
| | | | 3500K | 6373 lm | 87.59 lm/W |
| | | | 4000K | 6538 lm | 89.88 lm/W |
| | | | 5000K | 6551 lm | 90.17 lm/W |
| Individual Downlight | DAISY6 | 11W | 2700K | 1008 lm | 82 lm/W |
| | | | 3000K | 1049 lm | 85 lm/W |
| | | | 3500K | 1099 lm | 89 lm/W |
| | | | 4000K | 1114 lm | 91 lm/W |
| | | | 5000K | 1098 lm | 89 lm/W |

TECHNICAL SPECIFICATIONS

CONSTRUCTION

Product Type Daisy Chain Wafer Kit - Power multiple LED Downlights with one driver

Kit Includes:

- (1) 72W 120-277V Triac dimmable driver
- (6) LED modules 4" or 6"
- (1) 50 ft 12V low voltage self healing cable

Size 4" and 6"

Shape Round

Enclosure Material Polycarbonate

Finish White

Trim Style Smooth Lens (comes with kit); Regressed Baffle (Sold separately)

Lens Polycarbonate light diffuser distributes light evenly and smoothly for general lighting applications

Cut Out Template Size

4" : 4-5/16"

6" : 6-5/16"

JUNCTION BOX

- Pre-galvanized steel driver/junction box with captive hinged junction box cover
- Three 1/2" conduit pry-outs
- Accepts Romex types: 14-2, 14-3, 12-2, 12-3 (U.S.)
- Three 4-port push wire nuts with clear caps for quick and reliable mains voltage connections
- Integral mounting holes facilitate direct mounting to building structure

ELECTRICAL

Dimmable Yes, TRIAC Dimmable down to 10% (*See Dimmer Compatibility List*)

Driver 72W 120-277V Driver is noise free and includes quick connectors for simple wiring during installation.

THD <20%

Power Factor ≥0.9

Input Voltage 120-277V

Operating Frequency 60Hz

Operating Temperature -13°F to 104°F (-25°C to 40°C)

Flicker ≤30%

COMPLIANCE

Listing UL Listed

Environment Suitable for use in dry, damp, and wet environments.

IC Rated Suitable for direct contact with insulation.

Type IC inherently protected, suitable for direct contact to air permeable insulation and cULus listed for damp locations. Not for use in direct contact with spray foam insulation, consult NEMA LSD57-2013.

Energy Star Approved* This product is ENERGY STAR®

Air Tight Housing certified Air Tight as per ASTM E283

California Title 24 JA8 Compliant* Can be used to conform with the requirements of California Title 24 Part 6

California Energy Commission (CEC) Status Lawful for Sales in California

NEC Compliant Suitable for use in closets. Compliant with NEC Sec. 410.16 (A)(1) and 410.16 (C3).

IESNA LM-79 & LM80 Testing RAB LED luminaires and LED components have been tested by an independent laboratory in accordance with IESNA LM-79 and LM-80.

FCC Complies with Part 15 of the FCC Rules.

RoHS Mercury and UV free. RoHS-compliant components.

**Apply to daisy wafer kit only.*

INSTALLATION

Mounting Can be used for remodel or new construction applications (when using new construction mounting frames, sold separately)

- Can be installed into 1/2" to 1 1/4" thick ceilings
- Spring clips hold fixtures securely to the ceiling
- Quick Connectors allow fixtures to be connected to low voltage cable and add more fixtures.

LED CHARACTERISTICS

Color Temperature Field-adjustable dip switch 2700/3000/3500/4000/5000K

Color Accuracy (CRI) >90 CRI

R9 Value High color performance with R9 greater than or equal to 50

Color Consistency 4-step MacAdam Ellipse binning to achieve consistent fixture-to-fixture color

Color Stability LED color temperature is warranted to shift no more than 200K in color temperature over a 5-year period

Color Uniformity RAB's range of Correlated Color Temperature follows the guidelines of the American National Standard for Specifications for the Chromaticity of Solid State Lighting (SSL) Products, ANSI C78.377-2017.

OTHER

Warranty

RAB warrants that our LED products will be free from defects in materials and workmanship for a period of five (5) years from the date of delivery to the end user, including coverage of light output, color stability, driver performance and fixture finish.

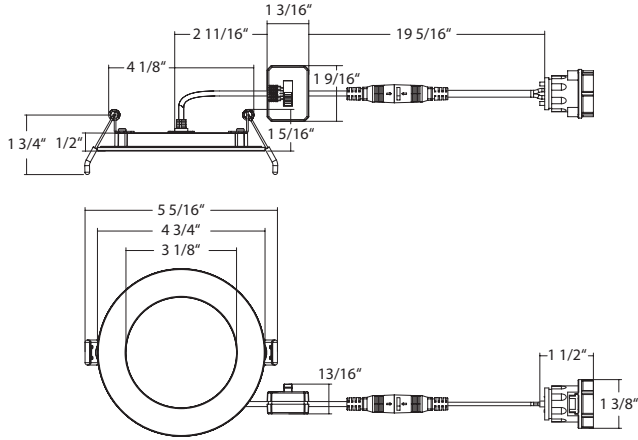
RAB's warranty is subject to all terms and conditions found at rablighting.com/warranty.

Note All values are typical (tolerance +/- 10%)

DIMENSIONS

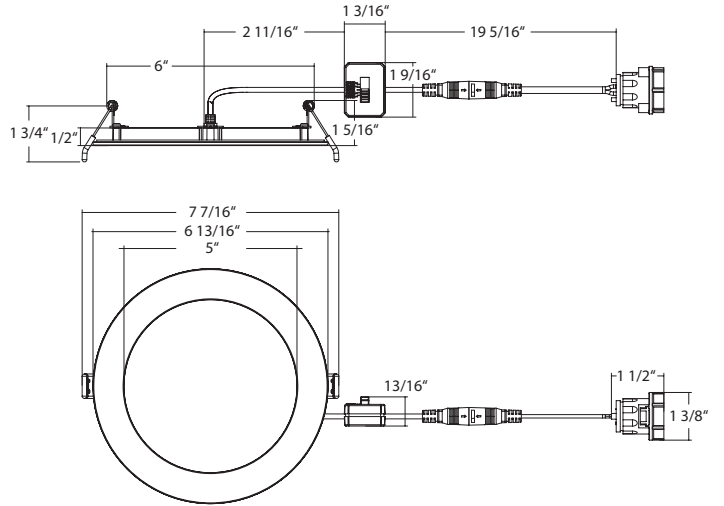
4" Smooth, Round

Weight: 0.47 lb

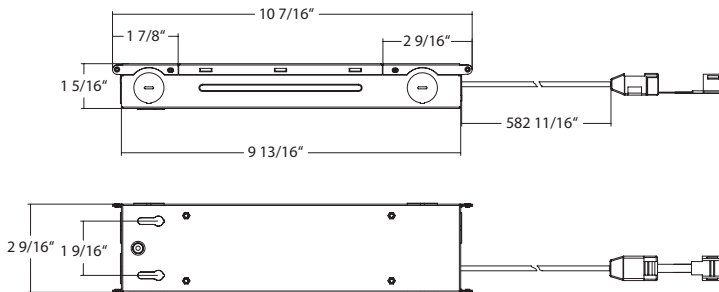


6" Smooth, Round

Weight: 0.77 lb

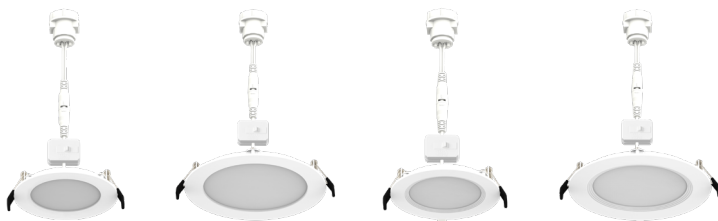


DAISYDRIVER/TRIAC



DAISY CHAIN WAFER ACCESSORIES*

Individual LED Downlight Modules



4" Smooth

6" Smooth

4" Baffle

6" Baffle

DAISY4

DAISY6

DAISY4B

DAISY6B

Individual 120-277V TRIAC Dimmable Driver



DAISYDRIVER/TRIAC

Daisy Driver 50 ft Extension Cable



DAISY50

*Items can be purchased separately as individuals SKUs to create a kit, or used to extend a kit.

OTHER ACCESSORIES

Color Trims *Color trims are compatible with smooth trim models only.*

| Size | Catalog Number | Description |
|--------------|------------------|-------------------------------|
| 4" Downlight | WFRL-TRIM-4R-BS | 4" Round Trim, Black |
| | WFRL-TRIM-4R-BRS | 4" Round Trim, Bronze |
| | WFRL-TRIM-4R-BNS | 4" Round Trim, Brushed Nickel |
| 6" Downlight | WFRL-TRIM-6R-BS | 6" Round Trim, Black |
| | WFRL-TRIM-6R-BRS | 6" Round Trim, Bronze |
| | WFRL-TRIM-6R-BNS | 6" Round Trim, Brushed Nickel |

New Construction Mounting Plates

| Catalog Number | Description |
|--------------------|---|
| DLPLATE/WFR3468/NB | Mounting Plate with Nail Bar for 3"/4"/6"/8" Wafers |
| DLPLATE/WFR4/NB/CL | Mounting Plate for Wafer 4" w/ Drywall Collar & Extension Bar |
| DLPLATE/WFR6/NB/CL | Mounting Plate for Wafer 6" w/ Drywall Collar & Extension Bar |
| DLPLATE/WFR3456 | Mounting Plate for 3"/4"/5"/6" Wafers |
| DLPLATE/WFR4 | 4" Wafer Mounting Plate w/o Nail Bar |
| DLPLATE/WFR6 | 6" Wafer Mounting Plate w/o Nail Bar |

Goof Rings

| Catalog Number | Description |
|-------------------|------------------------------|
| WFRL-GOOF-4R-6R-W | For Extending 4" Wafer to 6" |
| WFRL-GOOF-6R-8R-W | For Extending 6" Wafer to 8" |

Emergency Back Up Drivers

| Catalog Number | Description |
|--------------------|-----------------------------|
| DRI-21-EMGR-DC-D10 | 8W Input, 21W Output Driver |

Extension Cables

| Catalog Number | Description |
|----------------|-----------------------------------|
| EXTCBL-CCT-6 | 6' Extension Cable for Wafer CCT |
| EXTCBL-CCT-12 | 12' Extension Cable for Wafer CCT |
| EXTCBL-CCT-20 | 20' Extension Cable for Wafer CCT |

ORDERING INFO

| Catalog Number | Certification Model Number | UPC | Case Pack |
|-------------------|----------------------------|--------------|-----------|
| DAISYDRIVER/TRIAC | DAISYDRIVER/TRIAC | 192552042758 | 8 |
| DAISYKIT4120V | DAS0009(DAISYKIT4120V) | 192552042734 | 4 |
| DAISYKIT6120V | DAS0010(DAISYKIT6120V) | 192552042741 | 4 |

ORDERING MATRIX

| Family | Size | Shape | CRI/Color Temp | Driver | Finish | Trim |
|----------|---------------------------|-------------|-------------------------------|----------------------|-------------|--------------|
| DAISYKIT | | | | 120V | | |
| 4 | 6-4" wafers+1 driver, 55W | Blank Round | Blank 90CRI; Field-Adjustable | 120V 120V; TRIAC/ELV | Blank White | Blank Smooth |
| 6 | 6-6" wafers+1 driver, 74W | | 2700/3000/3500/4000/5000K | | | |

DIMMER COMPATIBILITY LIST

DAISYKIT4120V

DAISYKIT6120V

Visit www.rablighting.com for periodic updates to this list or contact us at 888-722-1000 for questions or comments.

| Dimmers | | Lamp Quantities | | | | | | Dimming Level |
|--------------|----------------|-----------------|---|---|---|---|---|---------------|
| Dimmer Brand | Dimmer Model | 1 | 2 | 3 | 4 | 5 | 6 | |
| LUTRON | MACL-153M | ✓ | ✓ | ✓ | ✓ | ✓ | ✓ | 10-100% |
| LUTRON | SCL-153P | ✓ | ✓ | ✓ | ✓ | ✓ | ✓ | 10-100% |
| LEVITON | Cat.NO.6674 | ✓ | ✓ | ✓ | ✓ | ✓ | ✓ | 10-100% |
| LUTRON | DVCL-153P | ✓ | ✓ | ✓ | ✓ | ✓ | ✓ | 10-100% |
| LEVITON | NO.6672 | ✓ | ✓ | ✓ | ✓ | ✓ | ✓ | 10-100% |
| LEVITON | CTCL-153PDH-WH | ✓ | ✓ | ✓ | ✓ | ✓ | ✓ | 10-100% |
| LUTRON | TGCL-153PH-WH | ✓ | ✓ | ✓ | ✓ | ✓ | ✓ | 10-100% |
| LEVITON | R50-IPL06-10M | ✓ | ✓ | ✓ | ✓ | ✓ | ✓ | 10-100% |
| LUTRON | DVWCL-153PH-WH | ✓ | ✓ | ✓ | ✓ | ✓ | ✓ | 10-100% |
| RAB | XDIM | ✓ | ✓ | ✓ | ✓ | ✓ | ✓ | 10-100% |