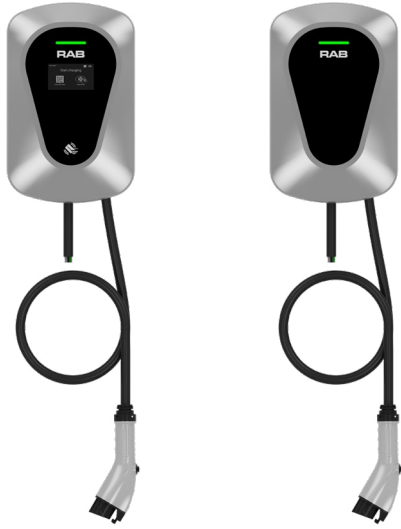


EVC48 Networked, Level 2 Charger

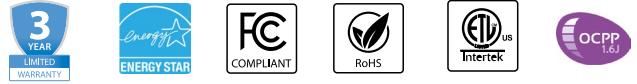


PROJECT: _____

DATE: _____

TYPE: _____

PREPARED BY: _____



48A Single-Port Charger With or Without LCD Display



KEY FEATURES

- Networked charger that can connect to the internet via 4G SIM, Ethernet, or Wi-Fi
- OCPP Compliant which allows the charger to communicate to software management systems
- 4J1772 cord and plug which charges almost all EVs and PHEVs
- Authentication via QR code on charger or with RFID cards sold separately
- Qualifies for incentives; RAB lists its products on hundreds of different utility programs across the country OCPP or Local Load Management
- Durable and quality design - Level 2 fast charger for residential and commercial use
- Many ways to mount - Pedestal, cable management, single, back-to-back, or side-to-side

PERFORMANCE

Catalog Number	LCD Screen	Output Power	Output Current	Input Voltage	Connector	Cable Length	Connectivity
EVC48	Yes	11.5kW	48A	200-240V	SAE J1772	18 ft	Wifi, 4G, Ethernet
EVC48/ND	No						

TECHNICAL SPECIFICATIONS

PRODUCT OVERVIEW

Product Type

Level 2 EV Charger, 48A, Networked, with or without LCD Display

Description

48A / 11.5 kW Residential/Commercial Charger: 4G networked, OCPP 1.6J protocol, 16.4' Cord, and ISO 15118 protocol

Application

Commercial & public use

TECHNICAL SPECIFICATIONS (CONT'D.)

CONSTRUCTION

Housing Material

Polycarbonate and tempered glass with gray & black finish

Cord & Nozzle

Single Port, 18FT cable with 6AWG Gauge comes with SAE J1772 Type 1 Nozzle

Display

EVC48 only - 4.3" LCD display with LED indicator light

Status Indicator

Connected, Network Issue, Charging, Fault

Tamper Resistant

IK08 rated to protect the unit against external mechanical impacts (not rated for the LCD display screen or RFID)

Ingress Protection

IP65 and NEMA Type 4

Mounting

Charger & nozzle holder can be mounted directly to a wall or used with compatible pedestal (sold separately)

INSTALLATION

Mounting Hardware Included

Yes

Wiring

Hardwired

Input Wire Gauge

6 AWG

ELECTRICAL

Input Voltage

200-240V, Single Phase

Input Current

48A

Output Power

11.5kW

Output Current

48A (max) (with AC breaker capacity selection)

Operating Frequency

50/60 Hz

Connector Type

SAE J1772

Humidity

≤90%

Input Side Protection

Protection against leakage, over-voltage, over current, under-voltage, short circuit, over-temperature

Output Side Protection

Protection against leakage, over-voltage, over current, under-voltage, automatic full charge, control pilot fault, short circuit, over-temperature

Internal Protection

OTP, relay welding detection, CCID self-test, MCU function fault detection

Rating of Branch Circuit Breaker

60A

NETWORK & CONNECTIVITY

Communication Protocol

OCPP 1.6 JSON

Connectivity Type

Ethernet + Wi-Fi (IEEE 802.11 b/g/n) + 4G

CSMS Platform Compatibility

Chargelab CSMS

Additional software options available upon request

Remote Monitoring

Yes

OTA Firmware Updates

Included

Load Management

No

CHARGING PERFORMANCE

Authentication methods

Plug-and-charge, mobile app, QR code, RFID

Energy Monitoring

Yes

Metering Accuracy

Meter IC (1% Accuracy)

SAFETY & COMPLIANCE

Safety Listings

ETL Listed

UL Standards

UL 2594, UL 2231

Shock Protection

CCID20. A charging circuit interrupting device (CCID) automatically interrupts the circuit when the current reaches or exceeds the threshold current of 20mA.

OpenADR

No

IP Rating

Ingress protection rating of IP65 for dust and water

California Type Evaluation Program (CTEP)

No

Energy Star

Yes

RoHS

Mercury and UV free. RoHS-compliant components.

FCC

Complies with Part 15 of the FCC Rules

EVC48 Networked, Level 2 Charger



TECHNICAL SPECIFICATIONS (CONT'D.)

ENVIRONMENTAL RATINGS

Operating Temperature

-22°F to 131°F (-30°C to 55°C)

Humidity

Max 85%

UV Resistance

Material complies with UL 746C F1 requirements for UV and water exposure

Enclosure Rating

NEMA 4X

Altitude Rating

≤2000 m

OTHER

Compatible Accessories

EVP - Pedestal

EVM - Cable Management Add-On

EVR - Cable Management Retractor

EVPB - Side-by-Side Mounting Bracket

Warranty

Electric Vehicle Charger products will be free from defects in materials and workmanship for a period of (3) years from the date of original sale to RAB's distributor. The product shall be considered defective only if it cannot be brought back to service by assistance from RAB technical product support representative. If you have a technical issue or question regarding warranty, call our technical support team at RAB Help line. Exceptions apply as stated on product specification sheets incorporated herein by reference. Defects in material or workmanship do not include improper installation or operation, alterations, power surges or overheating due to external conditions. Defects caused by acts of vandalism and incidents beyond control of manufacturer resulting in inoperability of the electric vehicle charger are not covered by the material or workmanship warranty.

Software plan options

ChargeLab CSMS: 1-year, 3-year, 5-year

Concierge provisioning

RAB pre-provisions software and SIM card before shipment — installer powers on device, site is live immediately

Hardware technical support

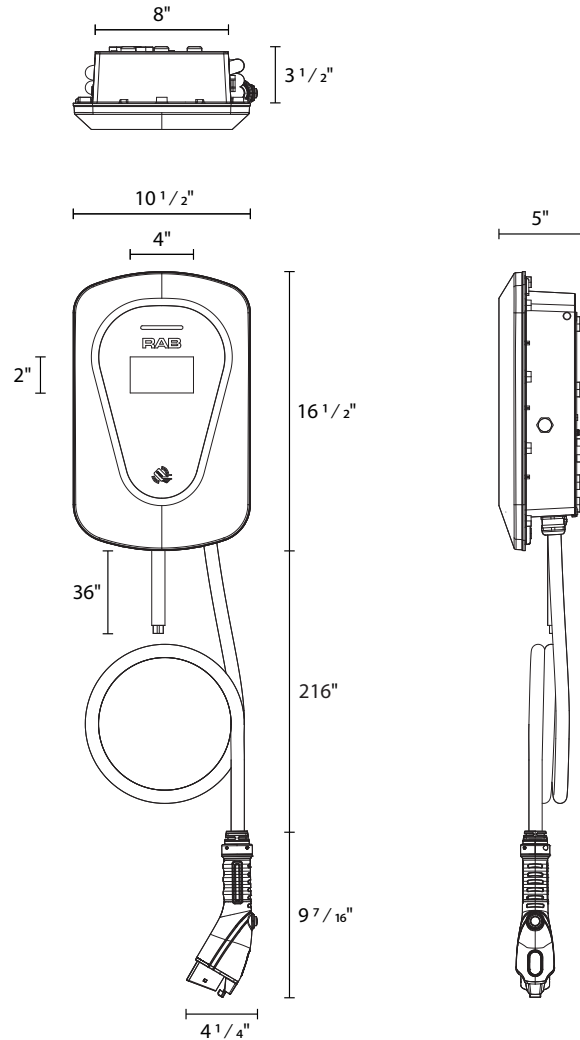
RAB technical support included

Driver support

24/7 telephone support for EV drivers

DIMENSIONS

EVC48/ EVC48-ND



Catalog Number	Weight
EVC48	16.1 lbs
EVC48/ND	12.16

ACCESSORIES



EVP



EVM



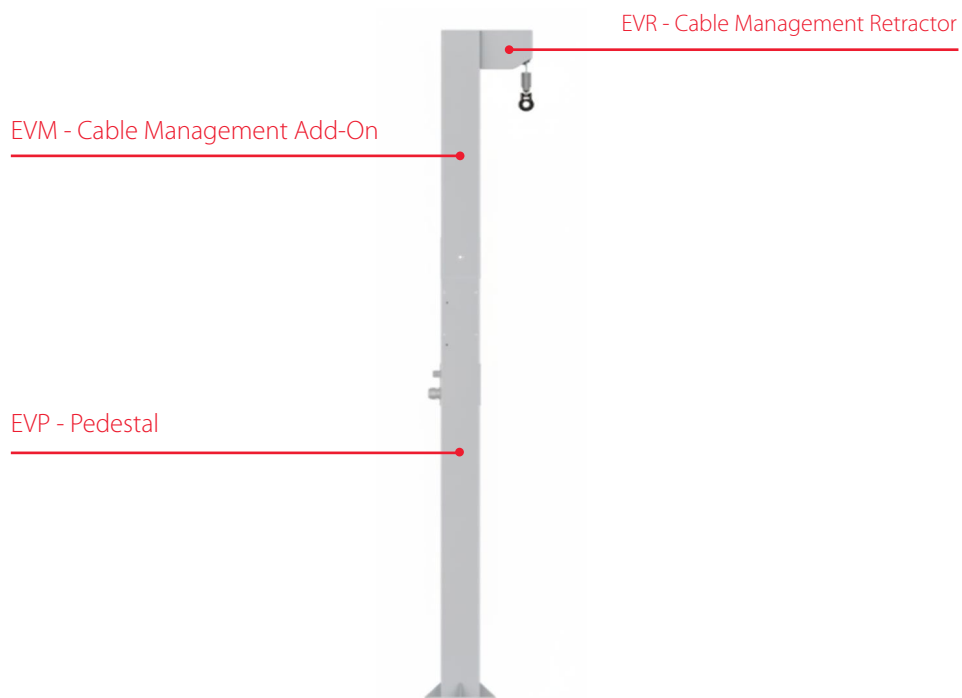
EVR



EVPB

Catalog Number	UPC	Description
EVP	192552047203	EVSE ACC PEDESTAL SINGLE / DOUBLE SIDED
EVM	192552047210	EVSE ACC CABLE MANAGEMENT ADD-ON W/O RETRACTORS
EVR	192552047227	EVSE ACC CABLE MANAGEMENT RETRACTOR
EVPB	192552063883	EVSE ACC SIDE BY SIDE MOUNTING BRACKET

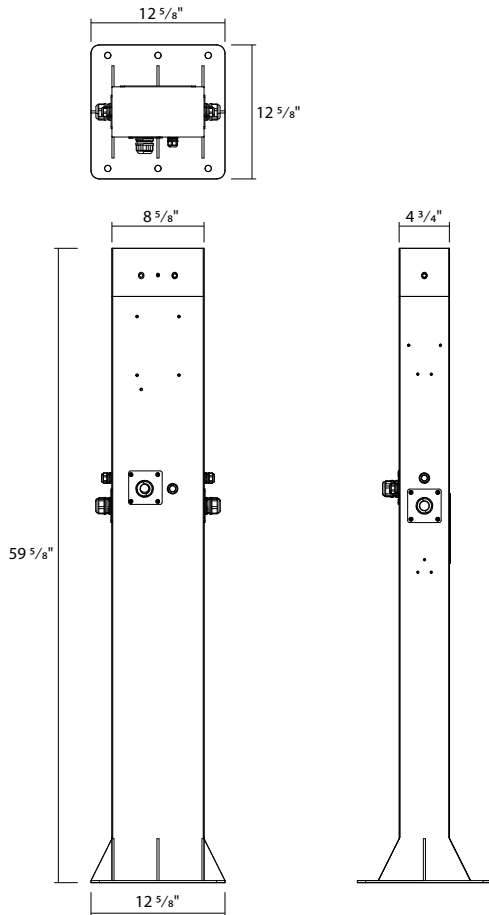
Pedestal & Cable management assembly



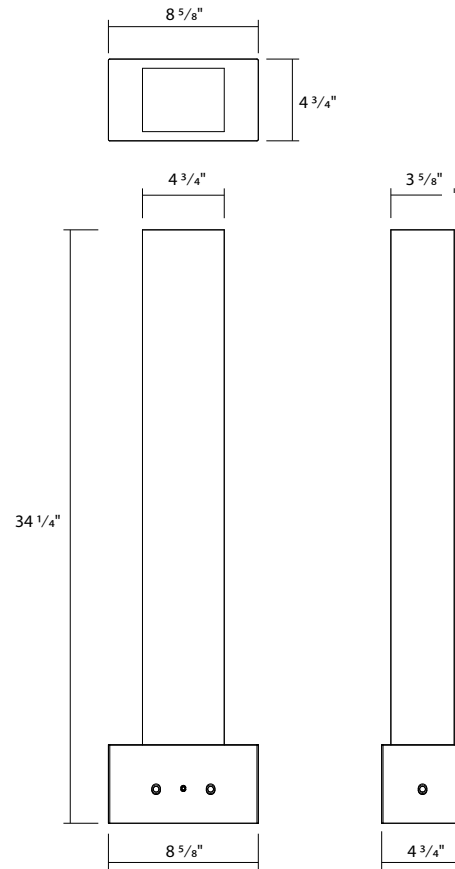
ACCESSORIES (CONT.)

DIMENSIONS

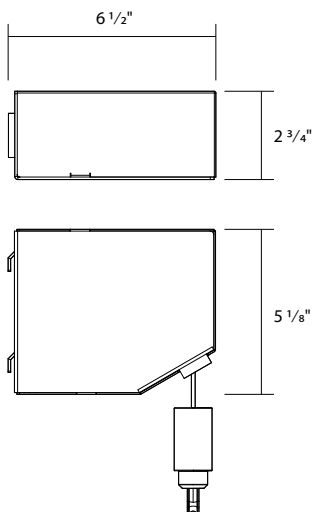
EVP - Pedestal



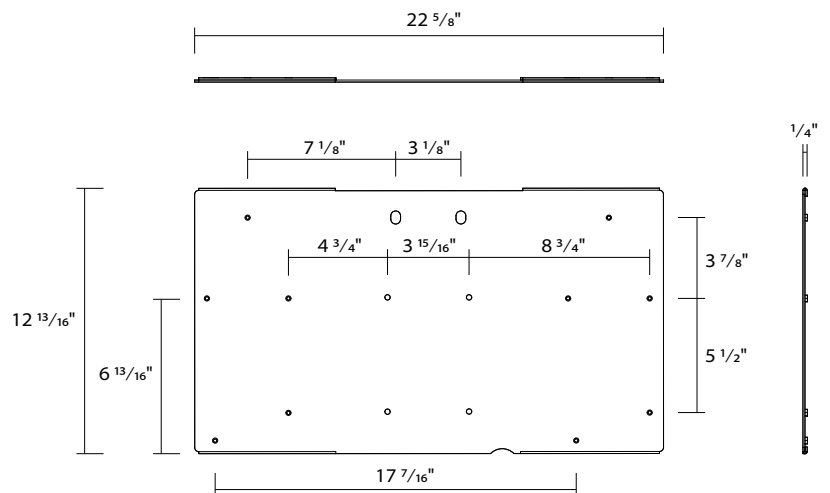
EVM - Cable Management Add-On



EVR - Cable Management Retractor



EVPB - Side-by-Side Mounting Bracket



EVC48 Networked, Level 2 Charger



MOUNTING CONFIGURATIONS



Single Charger on Pedestal
(charger and pedestal not included)

SKU	QTY
EVC48	1
EVP	1



Dual Charger on Pedestal (Back to Back)
(charger and pedestal not included)

SKU	QTY
EVC48	2
EVP	1



Dual Charger on Pedestal
(charger and pedestal not included)

SKU	QTY
EVC48	2
EVP	1
EVPB	1



Single Charger with Pedestal +
Cable Management
(charger not included)

SKU	QTY
EVC48	1
EVP	1
EVM	1
EVR	1



Dual Charger with Pedestal +
Cable Management (Back to Back)
(charger and pedestal not included)

SKU	QTY
EVC48	2
EVP	1
EVM	1
EVR	2



Dual Charger with Pedestal +
Cable Mangement (Side by Side)
(charger and pedestal not included)

SKU	QTY
EVC48	2
EVP	1
EVM	1
EVR	2
EVPB	1

ORDERING MATRIX

Family	Max. Current	Display Type	Cable Length	Nozzle
EVC	48			
EV Charger	48	48A Output Blank /ND	LCD Display Blank No LCD Display	18' Cable Blank
				J1772