



4" ROUND



6" ROUND

PROJECT: \_\_\_\_\_

DATE: \_\_\_\_\_

TYPE: \_\_\_\_\_

PREPARED BY: \_\_\_\_\_



## KEY FEATURES

- Shallow **baffle** trim provides extremely thin depth for shallow ceiling installation
- Available in multiple sizes: 4" and 6"
- Flexible 360° rotation and 25° tilt for flexible illumination
- 5 color temperatures in 1 SKU (5000K, 4000K, 3000K, 3500K, 2700K)
- Made with **anti-UV** plastic to prevent discoloration from prolonged sun exposure
- Suitable for **dry, damp, and wet** environments for indoor and outdoor applications
- No recessed housing or J-box required
- **IC** and **airtight** rated

Back-lit, field-adjustable, gimbal wafer



## PERFORMANCE

Catalog#	Equivalency	Shape	Input Wattage	Field-Adjustable Color Temperature	CRI	Input Voltage(V)	L70 Lifespan	Energy Star ID
WFRLA4R89FA120WS	60W CFL	Round	8W	5000/4000/3500/3000/2700K	90	120V	50,000	2395410
WFRLA6R129FA120WS	75W CFL		12W					2395417

WFRLA4R89FA120WS	5000K	4000K	3500K	3000K	2700K
LUMENS	700	710	705	685	650
EFFICACY (LM/W)	88	89	88	86	81

WFRLA6R129FA120WS	5000K	4000K	3500K	3000K	2700K
LUMENS	1,055	1,075	1,060	1,025	950
EFFICACY (LM/W)	88	90	88	85	79

# Gimbal Wafer

## TECHNICAL SPECIFICATIONS

### CONSTRUCTION

**Product Type**

Retrofit Gimbal

**Fixture Shape**

Round

**Fixture Finish**

White

**Trim Style**

Smooth

**Base Type**

E26 Socket. Wire leads and connector included

**Housing Material**

Plastic

**Installation**

Recessed

**Controls**

Dip-switch mounted on housing for CCT selection

**Optical**

25° beam angle with full 360° rotation

**Lens**

Regressed lens constructed from impact-resistant polycarbonate. Convex lens gives the optic a lamp-like appearance. Provides smooth and diffuse light distribution.

### ELECTRICAL

**THD**

≤20%

**Power Factor**

≥0.9

**Input Voltage**

120V

**Flicker**

≤5

**Operating Frequency**

60Hz

**Operating Temperature**

-4°F to 104°F (-20°C to 40°C)

**Dimming**

Yes, see Dimmer Compatibility List

Note: All values are typical (tolerance +/- 10%)

### PERFORMANCE

**Lifespan**

50,000-hour LED lifespan based on IES LM-80 results and TM-21 calculations

**Dimmable**

TRIAC and ELV dimming compatibility

### COMPLIANCE

**Safety Listing**

UL Listed

**Environment/Fixture Rating**

Damp rated

**T24 JA8 Compliant**

Yes

**Energy Star Compliant**

Yes

**IC Rated**

Suitable for direct contact with insulation

**FCC**

Complies with Part 15 of the FCC Rules.

**RoHS**

Mercury and UV free. RoHS-compliant components.

### OTHER

**Warranty**

RAB warrants that our LED products will be free from defects in materials and workmanship for a period of five (5) years from the date of delivery to the end user, including coverage of light output, color stability, driver performance and fixture finish.

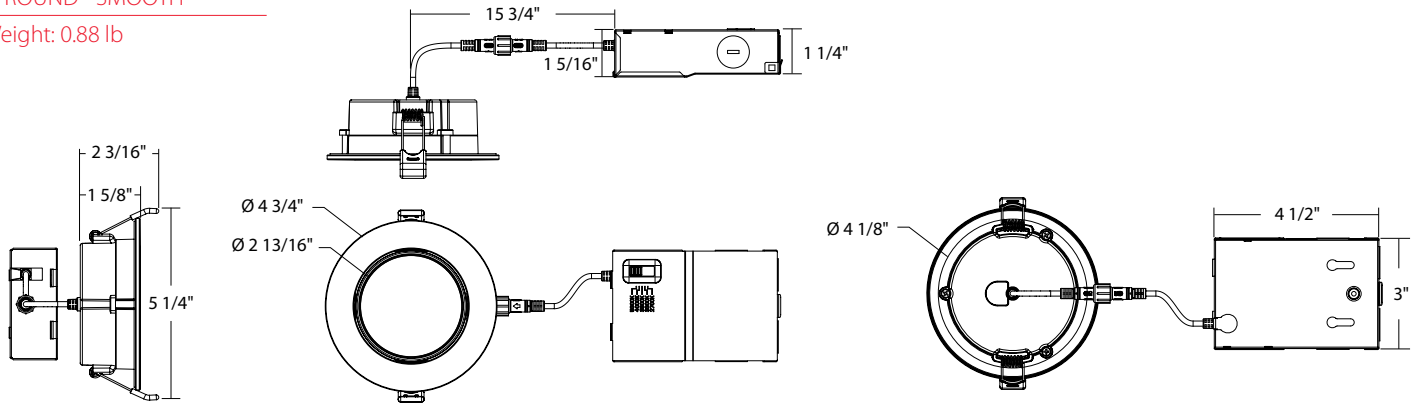
RAB warranty is subject to all terms and conditions found at: [rablighting.com](http://rablighting.com)

# Gimbal Wafer

## DIMENSIONS

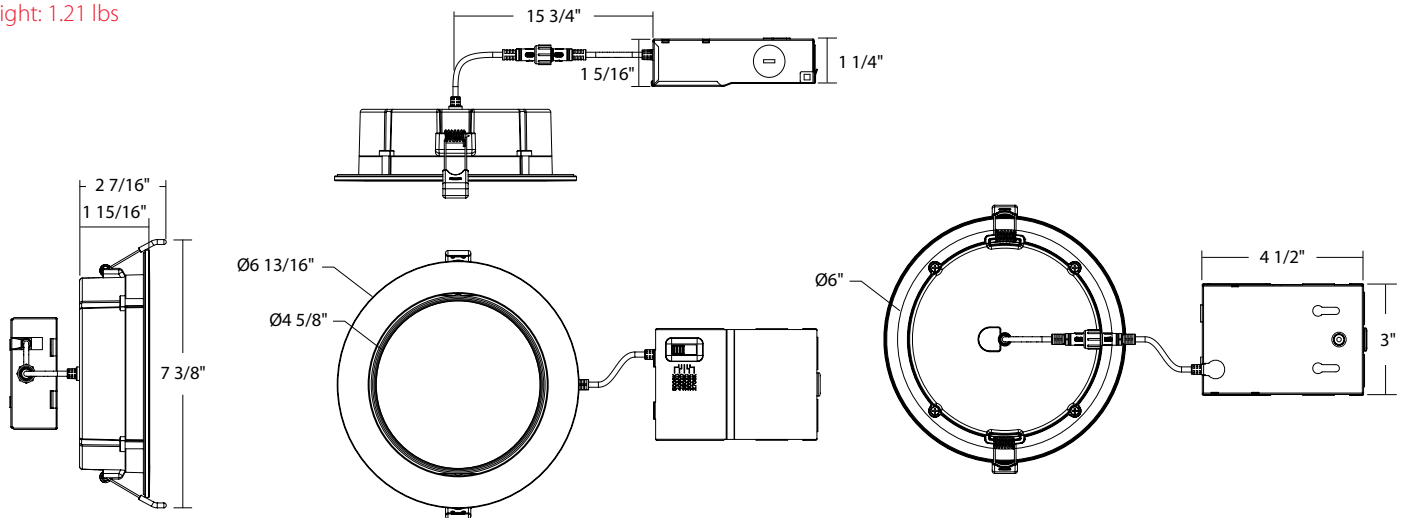
### 4" ROUND - SMOOTH

Weight: 0.88 lb



### 6" ROUND - SMOOTH

Weight: 1.21 lbs



## ORDERING INFO

Catalog Number	Model Number (Energy Star)	UPC	Case Pack
WFRLA4R89FA120WS	DLW0086(WFRLA4R89FA120WS)	192552018760	8
WFRLA6R129FA120WS	DLW0087(WFRLA6R129FA120WS)	192552018777	8

## ORDERING MATRIX

### Gimbal Wafer

Family	Size	Shape	Wattage	CRI/CCT	Voltage Rating	Finish	Trim
WFRLA	6 4	R Round	12 8	9FA 90CRI, Field-Adjustable (5000/4000/3500/3000/2700K)	120 120V W	W White S	S Smooth