

H17 Field-Adjustable High Bay



H17S (100/80/60W) & H17 (150/120/100W)



H17XL (240/200/150W)



H17XXL (500/400/300W)



Field-Adjustable, high bay



0-10V



100,000 HOURS

IP65

IP RATING



WET RATED



FIELD ADJUSTABLE

PROJECT:

DATE:

TYPE:

PREPARED BY:



KEY FEATURES

- Power and CCT tunable fixture
H17S: 100/80/60W, H17: 150/120/100W,
H17XL: 240/200/160W and H17XXL: 500/400/300W
- CCT: 3000/4000/5000K adjustable
- Static CCT 4000K and 5000K option for H17 and H17XL models in 480V only
- Suitable for wet locations
- Comes with **expansion port** for sensors
- PIR and microwave sensor kits available
- Kits available for **surface mount** or **pendant mount**
- DLC Premium listed
- 5-years, limited warranty
- Available accessories: **Aluminum** and **polycarbonate reflector**, **wireguard** and **drop lens** available for H17S, H17, H17XL
Aluminum reflector, wireguard available for H17XXL

TECHNICAL SPECIFICATIONS

LED CHARACTERISTICS

LEDs

Long-life, high-efficacy, discrete, surface-mount LEDs

Color Consistency

7-step MacAdam Ellipse binning to achieve consistent fixture-to-fixture color

Color Uniformity

RAB's range of Correlated Color Temperature follows the guidelines of the American National Standard for Specifications for the Chromaticity of Solid State Lighting (SSL) Products, ANSI C78.377-2017.

COMPLIANCE

UL Listed

Suitable for wet locations

DLC Listed

This product is listed by Design Lights Consortium (DLC) as an ultra-efficient premium product that qualifies for the highest tier of rebates from DLC Member Utilities. Designed to meet DLC 5.1 requirements.

Model#	DLC ID	Model#	DLC ID
H17S	S-15S3PM	H17/480	S-B4L152
H17	S-2WSD94	H17N/480	S-926SZD
H17XL	S-HM0N2X	H17XL/480	S-5U04JR
H17XXL	S-YB69RP	H17XLN/480	S-57F2C6
		H17XXL/480	S-Z168KT

CONSTRUCTION

Cold Weather Starting

The minimum starting temperature is -40°C (40°F)

Cold Weather Starting for Battery Backup

The minimum starting temperature is 0°C (32°F)

Maximum Ambient Temperature

Suitable for use in up to 50°C (122°F)

Maximum Ambient Temperature for Battery Backup

Suitable for use in up to 50°C (122°F)

Mounting

Comes standard with a hanging hook and a 6-foot cord. Heavy-duty 3/4"-14 NPT hook and 3/4"-14 pendant mount capable (pendant by others).

Housing

Precision die-cast aluminum

Lens

Polycarbonate

Reflector

Polycarbonate/Aluminum

Green Technology

Mercury and UV free. RoHS-compliant components.

Finish

Formulated for high durability and long lasting color

IP Rating:

Ingress protection rating of IP65 for dust and water

TECHNICAL SPECIFICATIONS (CONTINUED)

ELECTRICAL

Drivers:

Constant Current, Class 1, 120-277V, 50/60 Hz,

H17S:

100W: 120V: 0.83A, 208V: 0.48A, 240V: 0.42A, 277V: 0.36A

80W: 120V: 0.67A, 208V: 0.38A, 240V: 0.33A, 277V: 0.29A

60W: 120V: 0.50A, 208V: 0.29A, 240V: 0.25A, 277V: 0.22A

H17:

150W: 120V: 1.24A, 208V: 0.72A, 240V: 0.63A, 277V: 0.54A

120W: 120V: 1.03A, 208V: 0.58A, 240V: 0.51A, 277V: 0.44A

100W: 120V: 0.86A, 208V: 0.50A, 240V: 0.43A, 277V: 0.37A

H17XL:

240W: 120V: 2.01A, 208V: 1.16A, 240V: 1.00A, 277V: 0.87A

200W: 120V: 1.69A, 208V: 0.98A, 240V: 0.85A, 277V: 0.73A

150W: 120V: 1.25A, 208V: 0.72A, 240V: 0.63A, 277V: 0.54A

H17XXL:

500W: 120V: 4.17A, 208V: 2.40A, 240V: 2.08A, 277V: 1.80A

400W: 120V: 3.30A, 208V: 1.90A, 240V: 1.67A, 277V: 1.44A

300W: 120V: 2.50A, 208V: 1.40A, 240V: 1.25A, 277V: 1.08A

Constant Current, Class 1, 480V, 50/60 Hz,

H17:

150W: 480V: 0.31A

120W: 480V: 0.25A

100W: 480V: 0.21A

H17XL:

240W: 480V: 0.5A

200W: 480V: 0.42A

150W: 480V: 0.31A

H17XXL:

500W: 480V: 1.00A

400W: 480V: 0.83A

300W: 480V: 0.63A

Dimming Driver:

Driver includes wiring for 0-10V dimming systems. Dim as low as 10%.

THD: @5000K

100W : 4.55% at 120V, 9.5% at 277V

120W : 4.4% at 120V, 9.2% at 277V

150W : 4.45% at 120V, 9.08% at 277V

160W : 5.2% at 120V, 6.80% at 277V

200W : 5.15% at 120V, 6.70% at 277V

240W : 5.19% at 120V, 6.73% at 277V

ELECTRICAL (CONTINUED)

Power Factor: @5000K

100W : 99.9% at 120V, 94.5% at 277V

120W : 99.7% at 120V, 94.0% at 277V

150W : 99.9% at 120V, 94.7% at 277V

160W : 99.9% at 120V, 94.5% at 277V

200W : 99.7% at 120V, 94.0% at 277V

240W : 99.8% at 120V, 95.9% at 277V

Battery Backup:

Battery backup will operate the LED Lamp for 90 minutes if power falls.

Wired for 120-277V.

Emergency Light Loss factor:

H17S:

100W: 30.0%

80W: 37.5%

160W: 50.0%

H17:

150W: 20.0%

120W: 25.0%

100W: 30.0%

H17XL:

240W: 12.5%

200W: 15.0%

150W: 20.0%

H17XXL:

500W: 12.0%

400W: 15.0%

300W: 20.0%

Surge Protection:

H17S, H17, H17XL: 4kV + 6kV

H17XXL: 6kV + 10kV

PERFORMANCE

Lifespan

100,000-Hour LED lifespan based on IES LM-80 results and TM-21 calculations

OTHER

Warranty

The RAB 5-year, limited warranty covers light output, driver performance and paint finish. RAB's warranty is subject to all terms and conditions found at rablighting.com/warranty.

H17 Field-Adjustable High Bay



DIMENSIONS

H17S (100/80/60W)

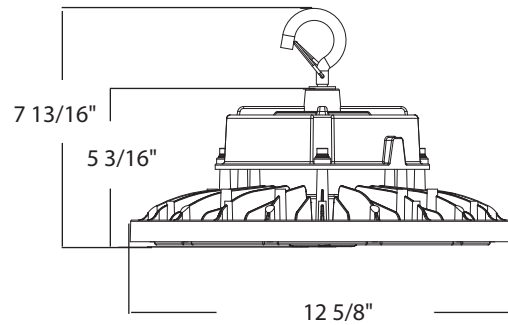
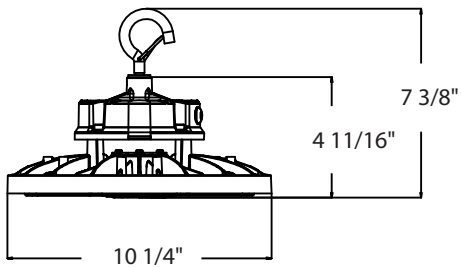
Weight: 4.7 lbs

H17 (150/120/100W)

Weight: 4.7 lbs

H17XL (240/200/160W)

Weight: 7.0 lbs

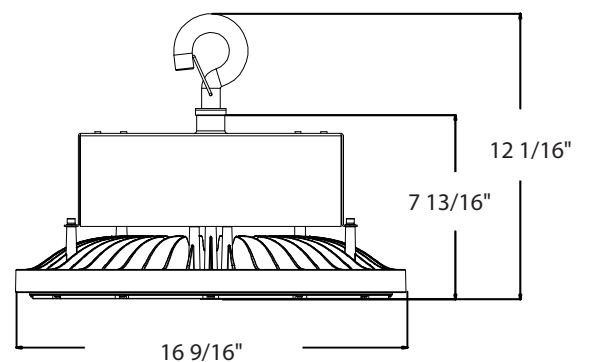
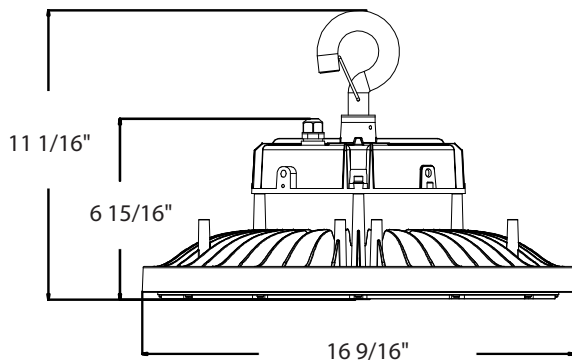


H17XXL (500/400/300W)

Weight: 17.4 lbs

H17XXL /480 (500/400/300W)

Weight: 17.4 lbs



H17 Field-Adjustable High Bay



PERFORMANCE

H17S	3000K	4000K	5000K	3000K	4000K	5000K	3000K	4000K	5000K
Wattage	100W			80W			60W		
Input Watts	94.9W	91.9W	95.9W	77.1W	74.2W	78W	59.8W	57.8W	59.6W
Lumens	13,570	14,959	14,509	11,364	12,343	12,248	9,205	9,816	9,710
Lm/W	143.1	162.8	151.3	147.5	166.4	157.0	154.0	169.9	162.9
CRI	81	83	81	81	83	81	81	83	81
Voltage Ratings	120-277V								

H17	3000K	4000K	5000K	3000K	4000K	5000K	3000K	4000K	5000K
Wattage	150W			120W			100W		
Input Watts	149W	144W	149W	123W	119W	123W	100W	101W	104W
Lumens	20,890	22,224	21,138	18,028	19,765	19,142	15,317	17,088	16,629
Lm/W	140.0	155.0	142.0	146.0W	166.0	156.0	152.0	169.0	161.0
CRI	83	85	84	83	86	84	84	83	84
Voltage Ratings	120-277V								

H17XL	3000K	4000K	5000K	3000K	4000K	5000K	3000K	4000K	5000K
Wattage	240W			200W			150W		
Input Watts	242W	239W	241W	201W	203W	200W	150W	146W	150W
Lumens	32,758	37,253	34,973	28,698	32,621	30,216	22,696	24,654	24,336
Lm/W	136	156	145	143	161	151	151	168	162
CRI	83	86	84	82	85	84	82	85	84
Voltage Ratings	120-277V								









H17XXL	3000K	4000K	5000K	3000K	4000K	5000K	3000K	4000K	5000K
Wattage	500W			400W			300W		
Input Watts	489.5W	467.5W	489.8W	402.6W	387.8W	402.4W	302.4W	292.8W	302.4W
Lumens	76,465	79,203	72,165	65,645	67,248	62,121	51,806	52,120	49,020
Lm/W	156.2	169.4	147.3	163.1	173.4	154.4	171.3	178.0	162.3
CRI	92	84	81	92	84	81	92	84	81
Voltage Ratings	120-277V								

H17XXL	3000K	4000K	5000K	3000K	4000K	5000K	3000K	4000K	5000K
Wattage	500W			400W			300W		
Input Watts	476.3W	458.6W	477.0W	398.5W	384.8W	399.1W	301.9W	293.1W	301.3W
Lumens	71,593	78,763	75,887	62,135	67,178	65,815	48,951	52,028	51,718
Lm/W	150.3	171.7	159.1	155.9	174.6	164.9	162.1	177.5	171.1
CRI	81	84	83	81	84	83	81	84	83
Voltage Ratings	480V								

H17 Field-Adjustable High Bay



ACCESSORIES

Image	SKU#	UPC	Description	Weight
	H17-RAL	192552022071	H17 ALUMINUM REFLECTOR	0.89 lb
	H17XL-RAL	192552022088	H17XL ALUMINUM REFLECTOR	1.11 lbs
	H17XXL-RAL	192552034982	H17XXL ALUMINUM REFLECTOR	1.93 lbs
	H17-RPC	192552022095	H17 PC REFRACTOR	1.2 lbs
	H17XL-RPC	192552022101	H17XL PC REFRACTOR	1.33 lbs
	H17-SM KIT	192552022040	H17 YOKE SURFACE MOUNT WHITE	1.04 lbs
	H17XXL-SM KIT	192552034968	H17XXL YOKE SURFACE MOUNT WHITE	1.78 lbs
	H17B-SM KIT	192552034890	H17 YOKE SURFACE MOUNT BLACK	1.04 lbs
	H17XXLB-SM KIT	192552034975	H17XXL YOKE SURFACE MOUNT BLACK	1.78 lbs
	H17-PM KIT	192552022064	PENDANT MOUNT KIT WHITE	0.23 lb
	H17XXL-PM KIT	192552034944	PENDANT MOUNT KIT WHITE	0.62 lb
	H17B-PM KIT	192552034883	PENDANT MOUNT KIT BLACK	0.23 lb
	H17XXLB-PM KIT	192552034951	PENDANT MOUNT KIT BLACK	0.62 lb

H17 Field-Adjustable High Bay



ACCESSORIES

Image	SKU#	UPC	Description	Weight
	H17-RDL	192552022132	H17 DROP LENS	1.2 lbs
	H17XL-RDL	192552022149	H17XL DROP LENS	1.2 lbs
	H17-WG	192552022118	H17 WIREGUARD WHITE	0.4 lb
	H17XL-WG	192552022125	H17XL WIREGUARD WHITE	0.47 lb
	H17XXL-WG	192552034920	H17XXL WIREGUARD WHITE	0.58 lb
	H17B-WG	192552034906	H17 WIREGUARD BLACK	0.4 lb
	H17XLB-WG	192552034913	H17XL WIREGUARD BLACK	0.47 lb
	H17XXLB-WG	192552034937	H17XXL WIREGUARD BLACK	0.58 lb
	MVS50	192552025997	MVS 15M HEIGHT IP65 OCCUPANCY SENSOR	0.10 lb
	MVS50/LCB	192552014168	LC BLUE CONTROLLER WITH INTEGRATED MVS SENSOR	0.14 lb
	PIR40	192552026000	PIR SENSOR MAX 12M HEIGHT 1P66	0.10 lb
	PIR40/LCB	192552014151	LC BLUE CONTROLLER WITH INTEGRATED PIR SENSOR	0.12 lb
	MSR1	192552026055	MULTI SENSOR REMOTE IP20	0.25 lb

H17 Field-Adjustable High Bay



ORDERING MATRIX

H17 (Field-Adjustable Models)

Family	Wattage	Mounting	Color Temperature	Finish	Voltage Ratings				
H17									
S	(100/80/60W) Adjustable	BLANK	Hook	BLANK	3000/4000/5000K	BLANK	White	BLANK	0-10V Dimming, 120-277V
BLANK	(150/120/100W) Adjustable				Adjustable	B	Black	/480	0-10V Dimming, 480V *
XL	(240/200/160W) Adjustable								
XXL	(500/400/300W) Adjustable								

H17 (Static Models)

Family	Wattage	Mounting	Color Temperature	Finish	Voltage Ratings				
H17					/480				
BLANK	150W	BLANK	Hook	BLANK	5000K	BLANK	White	/480	0-10V Dimming, 480V
XL	240W			N	4000K	B	Black		

* Only available for XXL model