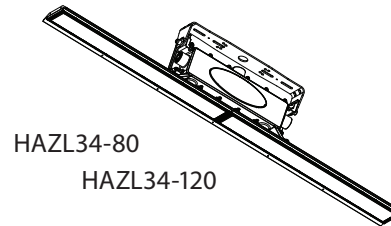
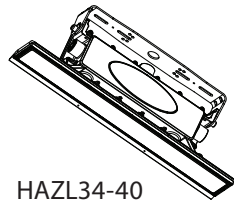


INSTRUCTIONS

HAZL34™ INSTALLATION

RAB®

RAB Lighting is committed to creating high-quality, affordable, well-designed and energy-efficient LED lighting and controls that make it easy for electricians to install and end users to save energy. We'd love to hear your comments. Please call the Marketing Department at 888-RAB-1000 or email: marketing@rablighting.com



IMPORTANT

READ CAREFULLY BEFORE INSTALLING FIXTURE. RETAIN THESE INSTRUCTIONS FOR FUTURE REFERENCE.

RAB fixtures must be wired in accordance with the National Electrical Code and all applicable local codes. Proper grounding is required for safety. THIS PRODUCT MUST BE INSTALLED IN ACCORDANCE WITH THE APPLICABLE INSTALLATION CODE BY A PERSON FAMILIAR WITH THE CONSTRUCTION AND OPERATION OF THE PRODUCT AND THE HAZARDS INVOLVED.

WARNING: Make certain power is OFF before installing or maintaining fixture. No user serviceable parts inside.

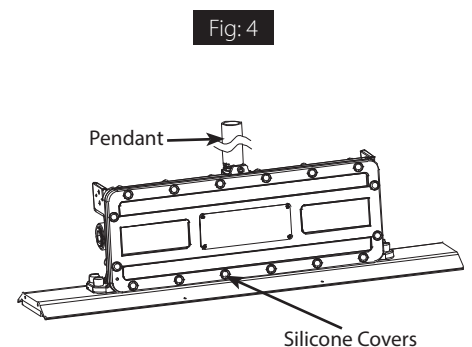
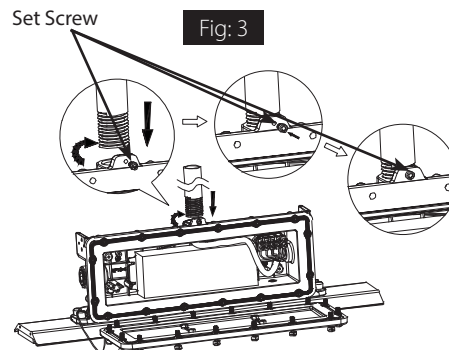
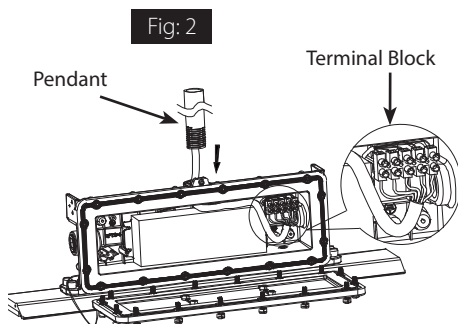
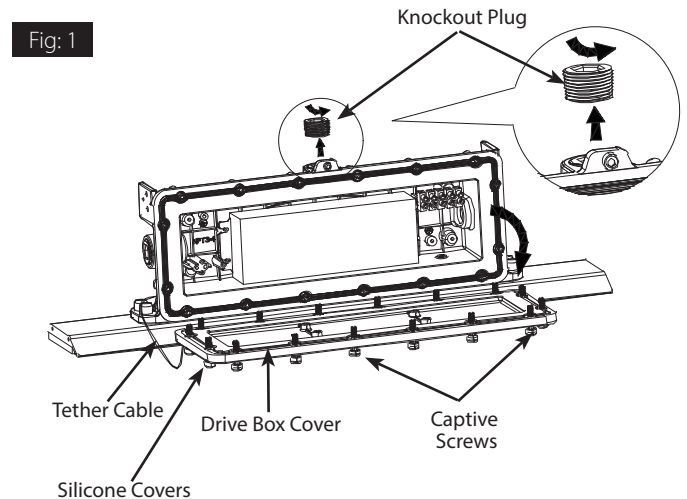
CAUTION: TO REDUCE THE RISK OF IGNITION OF HAZARDOUS ATMOSPHERES, DISCONNECT THE LUMINARE FROM SUPPLY CIRCUIT BEFORE OPENING. KEEP TIGHTLY CLOSED WHEN IN OPERATION.

CLASS I DIV. 2 GROUP A, B, C, D.
MIN. 90°C SUPPLY CONDUCTORS.
REFER TO TOOL LIST ON PAGE #4

PENDANT MOUNT

The fixture is suitable for wet locations.

1. Open the **Driver Box Cover** by removing **Silicone Covers** and loosening **Captive Screws** as shown in Fig. 1. **Tether Cable** will prevent the **Driver Box Cover** from falling out.
2. Remove the threaded **Knockout Plug** (Fig. 1). Attach the **Pendant** (by others) to the **Fixture** (Fig. 2). Use appropriate thread sealer. Tighten the **Set Screw** to secure the **Pendant** (Fig. 3).
3. Pass the supply wires in the **Pendant** through the **Knockout**, connect to the **Terminal Block** (Fig. 2) using proper polarity. **Note:** Torque value 4.4 inch-lbs.
4. Replace the **Driver Box Cover** with **Captive Screws** (Fig.4) and tighten to a minimum of 2.5 N. M. and replace **Silicone Covers**. **WARNING:** To prevent wiring damage or abrasion, do not expose wiring to edges of sharp objects.



INSTRUCTIONS

HAZL34™ INSTALLATION

RAB®

RAB Lighting is committed to creating high-quality, affordable, well-designed and energy-efficient LED lighting and controls that make it easy for electricians to install and end users to save energy. We'd love to hear your comments. Please call the Marketing Department at 888-RAB-1000 or email: marketing@rablighting.com

YOKE BRACKET FOR SURFACE OR WALL MOUNTING

1. Mark the surface or wall as appropriate, see Fig. 5.
2. Use suitable **Fasteners** (*by others*) for the **Mounting Surface** (Fig. 5 & 6).
3. Install appropriate conduit. Use suitable thread sealer for fittings. Pass the supply wires in the conduit through the **Conduit Entry** (Fig. 6). Connect to the **Terminal Block** (Fig. 2) using proper polarity. **Note: Torque value 4.4 inch-lbs.**
4. Wire in accordance to NEC and all applicable local codes.
5. Loosen the **Pivot Screw** and **Locking Screw** (Fig. 7). Adjust fixture to desired angle (Fig. 8). Tighten **Pivot Screw** and **Locking Screw**.

Fig: 7

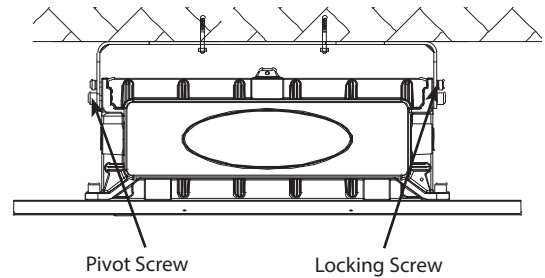


Fig: 5

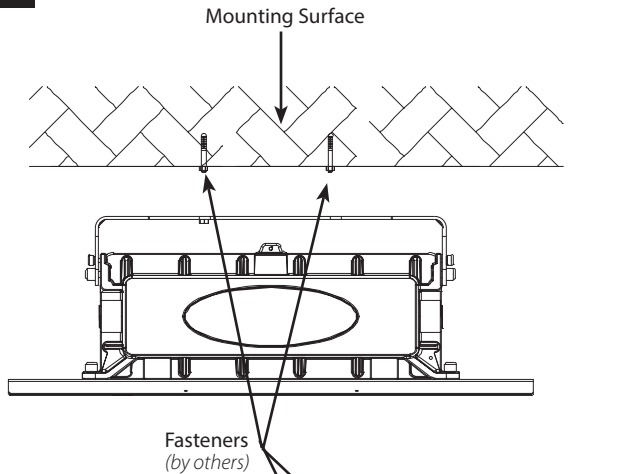


Fig: 8

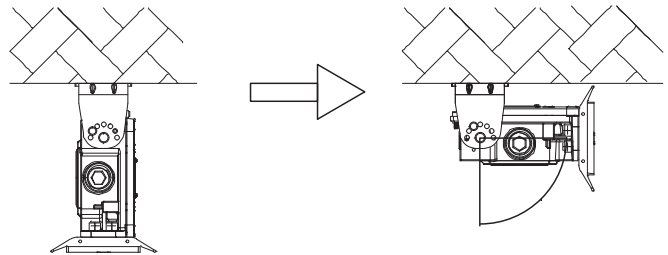
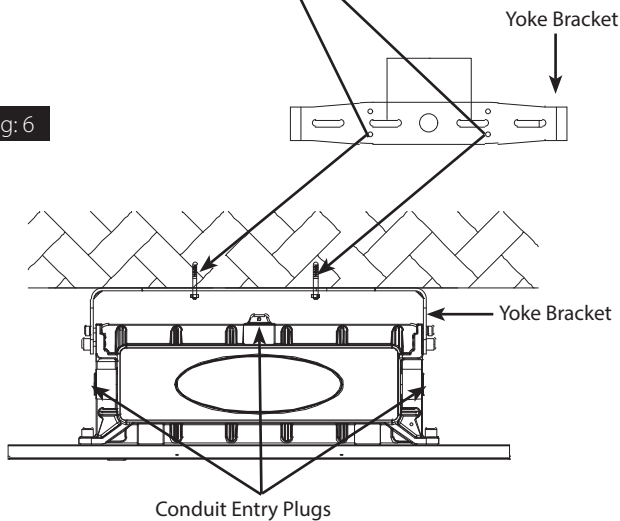


Fig: 6



INSTRUCTIONS

HAZL34™ INSTALLATION

RAB®

RAB Lighting is committed to creating high-quality, affordable, well-designed and energy-efficient LED lighting and controls that make it easy for electricians to install and end users to save energy. We'd love to hear your comments. Please call the Marketing Department at 888-RAB-1000 or email: marketing@rablighting.com

CHAIN MOUNT INSTALLATION

2-36" Chains are included.

1. Remove the Yoke.
2. Install **Rings** or **Eye-bolts** (*by others*) to hang the **Chain** with **Spring Hooks** (*provided*) as shown in Fig. 9.
3. Install the fixture onto the **Chain** (Fig. 10).
4. Install appropriate conduit. Use suitable thread sealer for fittings. Pass the supply wires in the conduit through **Conduit Entry** (Fig. 6).
5. Connect to the **Terminal Block** (Fig. 2) using proper polarity. **Note: Torque value 4.4 inch-lbs.**
5. Wire in accordance with local connection standards and make sure to take good waterproof measures at the joint of conduit.

Fig: 9

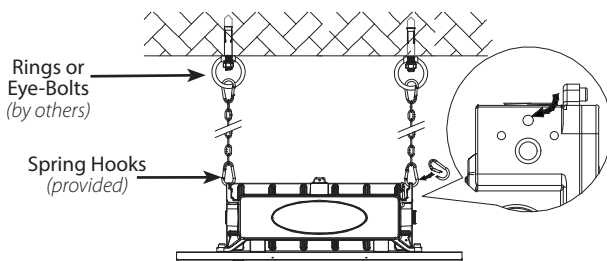
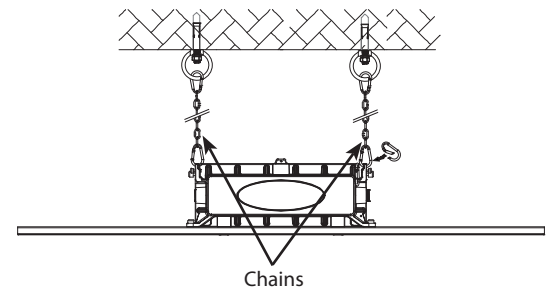


Fig: 10



CEILING MOUNT KIT

HAZL34-CM Kit ordered separately.

1. Mark the ceiling or wall as appropriate, see Fig. 11.
2. Use suitable hardware (*by others*) for the mounting surface.
3. Mount the fixture to the **CM Brackets** using the **Pivot** and **Locking Screws** (Fig. 12).
4. Install fittings and conduit. Use suitable thread sealer for fittings. Pass the supply wires in the conduit through **Conduit Entry** (Fig. 6). Connect to the **Terminal Block** (Fig. 2) using proper polarity. **Note: Torque value 4.4 inch-lbs.**
5. Wire in accordance with local connection standards and make sure to take good waterproof measures at the joint of conduit.
6. Loosen the **Pivot Screw** and **Locking Screw** (Fig. 12). Adjust fixture to desired angle (Fig. 8). Tighten **Pivot Screw** and **Locking Screw**.

Fig: 11

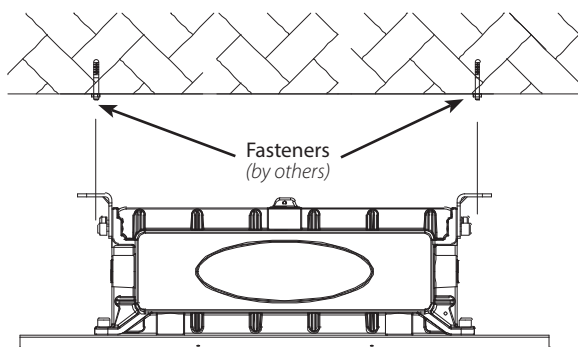
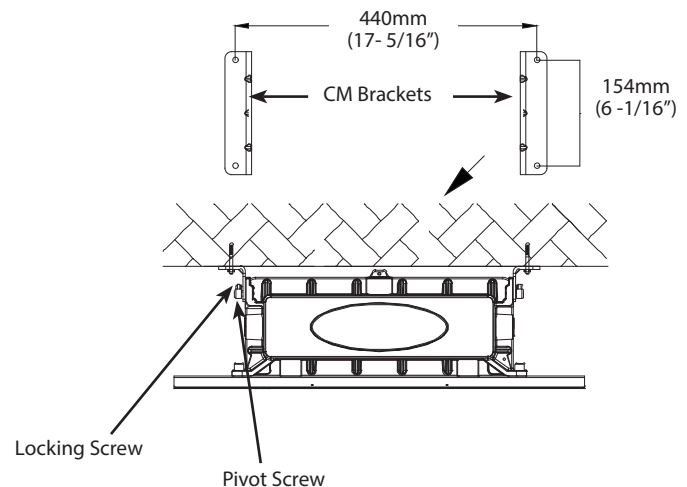


Fig: 12



INSTRUCTIONS

HAZL34™ INSTALLATION

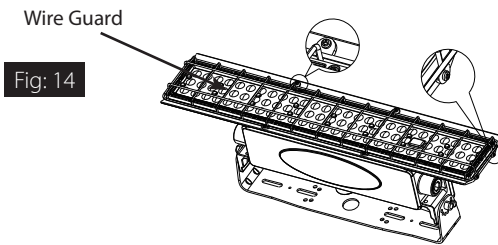
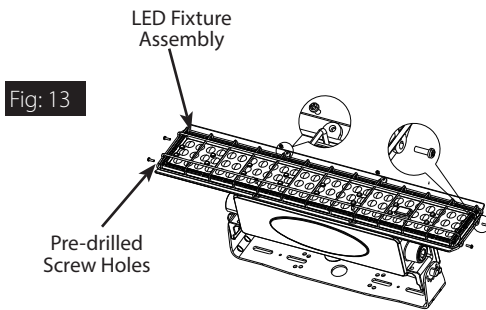
RAB®

RAB Lighting is committed to creating high-quality, affordable, well-designed and energy-efficient LED lighting and controls that make it easy for electricians to install and end users to save energy. We'd love to hear your comments. Please call the Marketing Department at 888-RAB-1000 or email: marketing@rablighting.com

WIRE GUARD INSTALLATION

HAZL34-WG2 and HAZL34-WG4 **Wire Guard** ordered separately.

1. M3 screw holes are pre-drilled on the portion of the **LED Fixture Assembly** (Fig. 13).
2. Before installing the fixture, place the **Wire Guard** on the **LED Fixture Assembly**.
3. Secure the **Wire Guard** with Screws (provided), Fig. 14.
Note: Torque value 0.7 N. M.



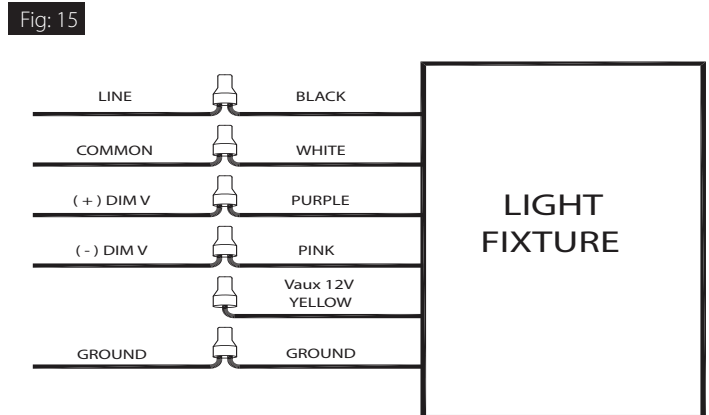
LIST OF TOOLS FOR INSTALLATION

- #4 Allen (Locking Screw, Driver Box Cover)
- #5 Allen (Pivot Screw)
- #3 Allen (Pendant Set Screw)
- 1/2" Allen (14mm) (Conduit Entry Plug)
- T-10 Torx (Wire Guard)

0-10V DIMMABLE WIRING

Universal voltage driver permits operation at 120V through 277V, 50 or 60 Hz. Units ordered with /480 suffix are 480V (**only**) 50 or 60Hz. For 0-10V dimming, follow the wiring directions as shown in Fig. 15.

1. Connect the black fixture lead to the LINE supply lead.
2. Connect the white fixture lead to the COMMON supply lead.
3. Connect the GROUND wire from fixture to supply ground.
4. Connect the purple fixture lead to the (V+) DIM lead.
5. Connect the pink fixture lead to the (V-) DIM lead.
6. Cap the yellow fixture lead, if present. Do NOT connect.



CLEANING & MAINTENANCE

CAUTION: Be sure fixture temperature is cool enough to touch. Do not clean or maintain while fixture is energized.

1. Do not open fixture to clean the LED. Do not touch the LED
2. Clean lens with non-abrasive cleaning solution..

TROUBLESHOOTING

1. Check that the line voltage at the fixture is correct. Refer to wiring directions.
2. Is the fixture grounded properly?

Note: These instructions do not cover all details or variations in equipment nor do they provide for every possible situation during installation, operation or maintenance.

RAB®

© 2023 RAB LIGHTING Inc.

HAZL34 - IN - 0623
P-100542

Easy Answers

rablighting.com
Visit our website for product info

Tech Help Line
Call our experts: 888 722-1000

e-mail
Answered promptly - sales@rablighting.com

Free Lighting Layouts
Answered online or by request

RAB WARRANTY: RAB's warranty is subject to all terms and conditions found at rablighting.com/warranty.