

L34 Ultra-Economy, Linear High Bay



Ultra-economy, linear high bay with adjustable fold-up wings



0-10V



50,000 HOURS



EASY INSTALL



DAMP RATED

PROJECT:

DATE:

TYPE:

PREPARED BY:



KEY FEATURES

- Ultra-economy, light weight, with innovative fold-up design
- Includes paracords that can lock lens in 5 different angles for adjustable light output
- Available in 100W (12,000lm) & 160W (20,000lm)
- Available CCT: 5000K and 4000K

TECHNICAL SPECIFICATIONS

COMPLIANCE

UL Listed

Suitable for damp locations

DLC Listed

This product is on the Design Lights Consortium (DLC) Qualified Products List and is eligible for rebates from DLC Member Utilities. Designed to meet DLC 5.1 requirements.

CATALOG#	DLC ID
L34-110	PTF2Z78V
L34-100N	S-LO46A9
L34-180	PVWC2J26
L34-180N	S-LOTMUI

ELECTRICAL

Drivers:

Constant Current, Class 2, Class P, 120-277V, 50/60 Hz,
100W: 120V: 0.92A, 208V: 0.53A, 240V: 0.46A, 277V: 0.40A
160W: 120V: 1.50A, 208V: 0.87A, 240V: 0.75A, 277V: 0.65A

Dimming Driver:

Driver includes dimming control wiring for 0-10V dimming systems.
Requires separate 0-10V DC dimming circuit. Dims down to 10%.

THD:

100W : 6.48% at 120V, 8.9% at 277V
160W : 6.55% at 120V, 13.3% at 277V

Power Factor:

100W : 99.7% at 120V, 97.2% at 277V
160W : 99.8% at 120V, 94.2% at 277V

Surge Protection

2.5kV

Note: All values are typical (tolerance +/- 10%)

CONSTRUCTION

Cold Weather Starting

The minimum starting temperature is -20°C (-4°F)

Maximum Ambient Temperature

Suitable for use in up to 50°C (122°F)

Mounting

V hooks and optional pendant mounting (pendant by others)

Housing

Polycarbonate and ABS (PC/ABS)

Green Technology

Mercury and UV free. RoHS-compliant components.

Finish

Formulated for high durability and long lasting color

LED CHARACTERISTICS

LEDs

Long-life, high-efficacy, discrete, surface-mount LEDs

Color Consistency

7-step MacAdam Ellipse binning to achieve consistent fixture-to-fixture color

Color Uniformity

RAB's range of Correlated Color Temperature follows the guidelines of the American National Standard for Specifications for the Chromaticity of Solid State Lighting (SSL) Products, ANSI C78.377-2017.

OTHER

Buy American Act Compliance:

RAB values USA manufacturing! Upon request, RAB may be able to manufacture this product to be compliant with the BUY American Act (BAA). Please contact customer service to request a quote for the product to be made BAA compliant.

Warranty

The RAB 5-year, limited warranty covers light output, driver performance and paint finish. RAB's warranty is subject to all terms and conditions found at rablighting.com/warranty.

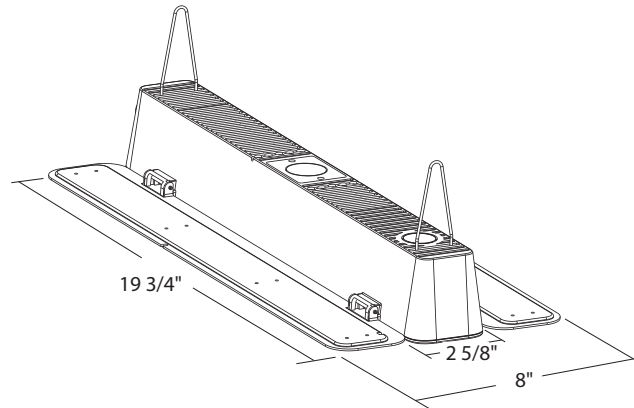
L34 Ultra-Economy, Linear High Bay

DIMENSIONS

L34

100W: Weight: 4.8 lbs

160W: Weight: 6 lbs



ACCESSORY

Image	SKU#	UPC	Description
	MVSREM	019813490991	REMOTE FOR MICROWAVE SENSOR FOR TROFFER

PERFORMANCE

L34 100W	5000K	4000K	5000K	4000K	5000K	4000K	5000K	4000K	5000K	4000K
TILT ANGLE	0° uptilt		15° uptilt		27° uptilt		39° uptilt		50° uptilt	
INPUT WATTS	100.5W	100.5W	100.4W	100.6W	100.3W	100.6W	100.4W	100.6W	100.2W	100.7W
LUMENS	13,534	13,654	13,601	13,665	13,630	13,649	13,646	13,572	13,617	13,412
EFFICACY (LM/W)	135	136	136	136	135	136	136	135	136	133
CRI	85	84	85	84	85	84	85	84	85	84
VOLTAGE RATINGS	120-277V									

L34 160W	5000K	4000K	5000K	4000K	5000K	4000K	5000K	4000K	5000K	4000K
TILT ANGLE	0° uptilt		15° uptilt		27° uptilt		39° uptilt		50° uptilt	
INPUT WATTS	158.6W	159.6W	158W	160.4W	158.4W	160.5W	156.6W	160.7W	159.1W	160.7W
LUMENS	20,996	20,823	20,754	20,923	20,977	20,935	20,946	20,777	21,077	20,513
EFFICACY (LM/W)	132	131	131	130	132	130	132	129	133	128
CRI	86	84	86	84	86	84	86	84	86	84
VOLTAGE RATINGS	120-277V									

ORDERING MATRIX

L34

Family	Wattage	Color Temp	Finish	Voltage	Options
L34	-				
	110 180	100W 160W	BLANK N	5000K 4000K	BLANK White
			BLANK	120-277V, 0-10V Dimming	BLANK /LC /LCS /MVS
					No Options Lightcloud Controller Lightcloud Sensor Occupancy Sensor