

# RGBW Tunable Lamps



A19



A19



B11



BR30



PAR38

Simple wireless color, 16+ million colors



PROJECT:

DATE:

TYPE:

PREPARED BY:



## KEY FEATURES

- Replacement for legacy incandescent and halogen lamps
- Direct connect to the Lightcloud Blue mobile app via Bluetooth. **No Gateway or Hub required**
- Choose between 16+ million colors to fit any mood
- **Tunable White 2200 – 6500K** with smooth transition between color temperatures
- Use mobile device to configure features for On/Off Control, Dim Level, Color Temperature, Schedules, Scenes, SmartShift and more
- SmartShift Ready to sync with local sunrise/sunset for healthy circadian lighting
- Dimmable down to 5% using mobile app
- **3-Year, No-Compromise Warranty**

## PERFORMANCE

Catalog Number	Equivalency	Input Wattage	Lumens	Efficacy	Input Voltage	Color Temperature	Base Type	L70 Lifespan
A19GU24/RGB	60W Incandescent	8W	800 lm	100 lm/W	120V	Tunable White 2200 - 6500K 16+ million colors	GU24 Twistlock	25,000 hours
B11/RGB	40W Incandescent	3.8W	355 lm	93 lm/W			E12 Candelabra	15,000 hours
LCBA19-9-E26-9RGB-SS	60W Incandescent	8W	800 lm	100 lm/W			E26 Edison	25,000 hours
LCBBR30-7-E26-9RGB-SS	65W Halogen	7W	650 lm	93 lm/W				50,000 hours
PAR38/RGB	100W Incandescent	14W	1150 lm	82 lm/W				

\*Select models

## TECHNICAL SPECIFICATIONS

### FEATURES

#### Color Tuning

Choose from 16+ million colors to customize your space to fit every mood.

#### Tunable White

Adjust the color temperature from 2200K to 6500K via the Lightcloud Blue Remote or the mobile app.

#### Direct Connect

Use the Lightcloud Blue mobile app to connect to your lamps in minutes via Bluetooth Mesh; no Gateway or Hub required.

#### Mobile App Control

Use the Lightcloud Blue mobile app to configure features for On/Off Control, Dim Level, Color Temperature, Schedules, Scenes, SmartShift and more.

#### SmartShift Circadian Lighting

Automatically tunes the color and intensity of lights throughout the day, mimicking the sun's natural pattern.

#### Scalable

Devices within 60 feet of each other can communicate within the Bluetooth Mesh network to manage hundreds of thousands of devices per account.

### LIGHTCLOUD BLUE

#### Gateway Required

No

#### Communication Protocol

Bluetooth Mesh

#### SmartShift

SmartShift is the most advanced – yet easiest to use – circadian lighting system, which syncs white color tuning with the local sunrise and sunset.

#### Light Shows

No, this product is not compatible with dynamic color changing Light Shows. Contact RAB for more information.

#### Range

Indoor: Up to 60 feet between standard building materials. Building materials such as brick, concrete, and steel construction may require additional Lightcloud Blue devices to extend around an obstruction; Up to 200 feet clear line of sight.

Outdoor: Up to 60 feet clear line of sight; Up to 18 feet around corners

### LED CHARACTERISTICS

#### Color Temperature

Default: 4000K

Adjustable using the Lightcloud Blue mobile app

Tunable White 2200 - 6500K

16+ million colors

#### Color Tuning

Yes, 16+ million colors using Lightcloud Blue

#### Color Accuracy (CRI)

>90

#### R9 Value

High color performance with R9 greater than 0 (A19/B11/BR30); greater than 50 (PAR38).

#### Color Consistency

<4-step MacAdam Ellipse binning to achieve consistent fixture-to-fixture color

### ELECTRICAL

#### Dimmable

Yes, via the Lightcloud Blue mobile app and devices. This lamp will not operate properly when connected to a standard (incandescent) dimmer or dimming control.

#### Power Factor

≥0.9

#### Input Voltage

120V

#### Operating Frequency

60Hz

#### Operating Temperature

A19/B11/BR30: -4°F to 113°F (-20°C to 45°C)

PAR38: -4°F to 104°F (-20°C to 40°C)

#### Flicker

<30%

### CONSTRUCTION

#### Product Type

A19: A-line

BR30: Reflector

PAR38: Parabolic lamp

B11: Decorative

#### Bulb Shape

A19, B11, BR30, PAR38

#### Enclosure Material

Plastic and aluminum

#### Finish

White

#### Lens Finish

Frosted

#### Base Type

E26 or E12 for B11 model

#### Beam Angle

A19: 220°

BR30: 110°

B11: 250°

PAR38: 50°

#### Installation

Simple to screw in the RGBW Tunable Lamp into a compatible socket. The circuit should be wired to constant power, bypass any existing wall switch/dimmer (suggest replacing with a Lightcloud Blue dimmer or remote, contact RAB for more information.)

## TECHNICAL SPECIFICATIONS *(cont'd)*

### COMPLIANCE

#### Listing

UL Listed

#### Environment

Suitable for use indoors and outdoors in dry, damp, or wet\* environments.

#### Fixture Rating

Suitable for use in open and enclosed fixtures

#### T20 Compliant

Can be used to conform with the requirements of California Title 20.

#### T24 Compliant\*

Can be used to conform with the requirements of California Title 24 Part 6.

#### California Energy Commission (CEC) Status

Lawful for Sale in California

#### FCC

Complies with Part 15 of the FCC Rules.

#### RoHS

Mercury and UV free. RoHS-compliant components.

### OTHER

#### Accessories

Combine with other Lightcloud Blue accessories to enhance system features and automations. Learn more [here](#).

#### Warranty

RAB warrants that our LED products will be free from defects in materials and workmanship for a period of three (3) years from the date of delivery to the end user, including coverage of light output, color stability, driver performance and fixture finish.

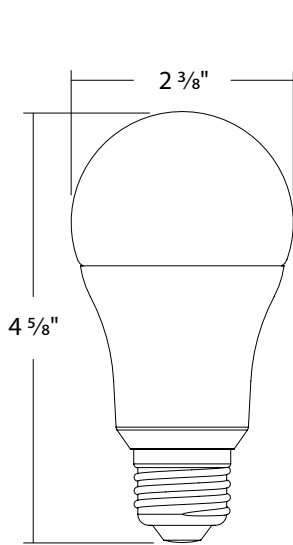
RAB's warranty is subject to all terms and conditions found at [rablighting.com/warranty](http://rablighting.com/warranty).

*\*Select models, see product specification sheet*

## DIMENSIONS

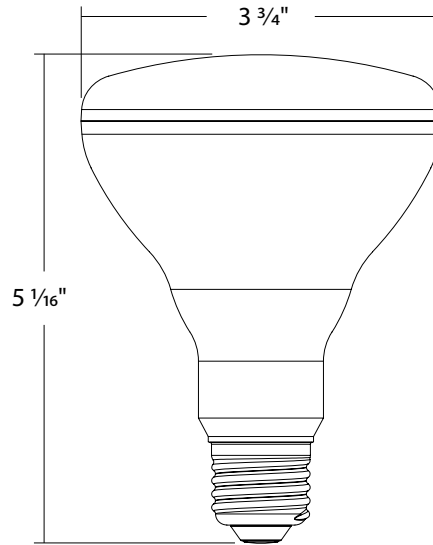
A19 - 8W

Weight: 0.08 lbs



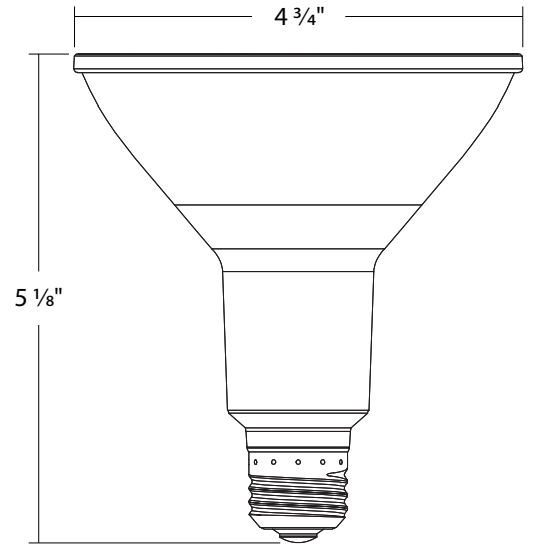
BR30 - 7W

Weight: 0.25 lbs



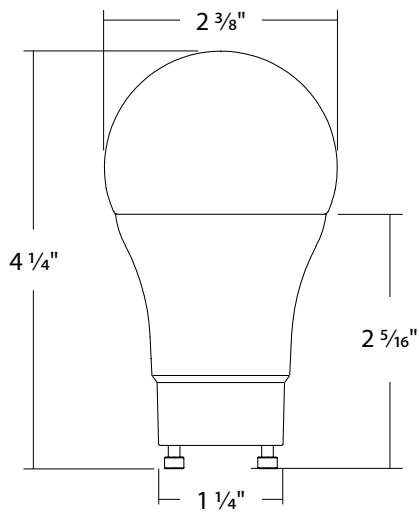
PAR38 - 14W

Weight: 0.53 lbs



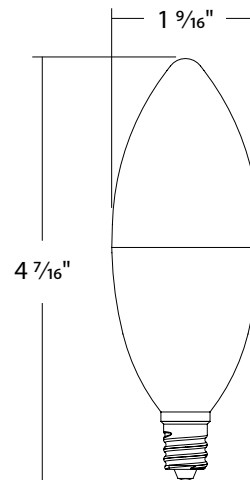
A19GU24/RGB

Weight: 0.11 lbs



B11/RGB

Weight: 0.10 lbs



## ORDERING INFO

Catalog Number	UPC	Case Pack
A19GU24/RGB	192552057233	12
B11/RGB	192552057226	24
LCBA19-9-E26-9RGB-SS	192552015783	12
LCBBR30-7-E26-9RGB-SS	192552015790	12
PAR38/RGB	192552039635	6

## ORDERING MATRIX

Family	Wattage	Base Type	CRI/Color Temp	Voltage	SmartShift	Color Tuning
<b>B11</b>	<input type="text" value="Blank"/> 3.8W	<input type="text" value="Blank"/> E12 Candelabra	<input type="text" value="Blank"/> 90 CRI; 16+ million colors; Tunable White 2200-6500K	<input type="text" value="Blank"/> 120V	<input type="text" value="Blank"/> SmartShift Ready	<input type="text" value="/RGB"/> 16+ million colors w/ Lightcloud Blue
<b>LCBA19</b>	<input type="text" value="9"/> 8W	<input type="text" value="E26"/> E26 Edison	<input type="text" value="9RGB"/> 90 CRI; 16+ million colors; Tunable White 2200-6500K	<input type="text" value="Blank"/> 120V	<input type="text" value="SS"/> SmartShift Ready	<input type="text" value="Blank"/> 16+ million colors w/ Lightcloud Blue
<b>A19</b>	<input type="text" value="Blank"/> 8W	<input type="text" value="GU24"/> E26 Edison	<input type="text" value="Blank"/> 90 CRI; 16+ million colors; Tunable White 2200-6500K	<input type="text" value="Blank"/> 120V	<input type="text" value="Blank"/> SmartShift Ready	<input type="text" value="/RGB"/> 16+ million colors w/ Lightcloud Blue
<b>LCBBR30</b>	<input type="text" value="7"/> 7W	<input type="text" value="E26"/> E26 Edison	<input type="text" value="9RGB"/> 90 CRI; 16+ million colors; Tunable White 2200-6500K	<input type="text" value="Blank"/> 120V	<input type="text" value="SS"/> SmartShift Ready	<input type="text" value="Blank"/> 16+ million colors w/ Lightcloud Blue
<b>PAR38</b>	<input type="text" value="Blank"/> 14W	<input type="text" value="Blank"/> E26 Edison	<input type="text" value="Blank"/> 90 CRI; 16+ million colors; Tunable White 2200-6500K	<input type="text" value="Blank"/> 120V	<input type="text" value="Blank"/> SmartShift Ready	<input type="text" value="/RGB"/> 16+ million colors w/ Lightcloud Blue