



24V DC, Outdoor-Rated Neon Flex, Horizontal & Vertical Bendable*



PROJECT:

DATE:

TYPE:

PREPARED BY:



KEY FEATURES

- **Non-pixelated light diffusion**, enables the product to be freely bent in any direction, vertically and horizontally*
- **Field-cuttable** for shorter runs with a max run of 32ft. Can be linked with connectors (*sold separately*)
- **Easy installation** with clips, fixed channel, and bendable channel
- Slim silicone construction with 6" minimum bending radius
- 60W & 96W indoor or outdoor rated drivers available (*sold separately*)
- **50,000-hr rated life**, Title 24 compliant, and 5-year limited warranty

* Select models

PERFORMANCE

Catalog Number	Input Voltage	Color Temperature	Reel Length	Max Output Wattage	Max Lumens	Efficacy	IP Rating	CRI	Cutting Increment	Max Run
TNFY	DC24V	3000K	16.4 ft	4.27 W/ft	205 lm/ft	48 lm/W	IP67	90	Any length	32 ft
TNF/LCB*	DC24V	Tunable White 2700-6500K* (default 4000K)	16.4 ft	2.5 W/ft	120-135 lm/ft	48-52 lm/W	IP67	90	2 in	32 ft
TNF/RGB*	DC24V	Tunable White 2200-3000K* or 16+ million colors*	16.4 ft	4.27 W/ft**	33-94 lm/ft	19-22 lm/W	IP67	90	4.92 in	65 ft

*Requires Lightcloud Blue Controller, sold separately

** Only applies to white colors

ACCESSORIES


Compatible with Static CCT




Catalog Number	Description	Packaging includes
TPF2NF	Tape Light Silicone End Caps Kit	1 2-Pin hard wiring, 11.81" 1 Tail fed + 1 side/bottom-fed front cap 1 Silicone endcap 1 Glue

ACCESSORIES (cont'd)

Compatible with TNF/LCB



Catalog Number	Description	Packaging includes
TPF3NF	Tape Light Silicone End Caps Kit	1 3-Pin hard wiring, 11.81" 1 Tail fed + 1 side/bottom-fed front cap 1 Silicone endcap 1 Glue




Catalog Number	Description	Packaging includes
TPFE3	Tape Light Wire Extender	3-Pin connected w/ 8 ft. wire


Compatible with TNF/RGB




Catalog Number	Description	Packaging includes
TPF5NF	Tape Light Silicone End Caps Kit	1 5-Pin hard wiring, 11.81" 1 Tail fed + 1 side/bottom-fed front cap 1 Silicone endcap 1 Glue



Catalog Number	Description	Packaging includes
TPFE5	Tape Light Wire Extender	5-Pin connected w/ 8 ft. wire



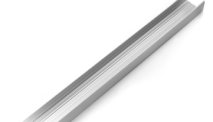
Catalog Number	Description	Packaging includes
TPF55	Tape Light Wire Splitter	5-Pin + 2-pin connectors




Catalog Number	Description	Packaging includes
TB16*	Tape Light Brackets	10 Brackets and screws in package

* Compatible with all models


Compatible with all NEOFLEX Tape Lights



Catalog Number	Description	Packaging includes
TAP16	16mm Tape Light Aluminum Channel	3.28' Length




Catalog Number	Description	Packaging includes
TBB16	16mm Tape Light Bendable Channel	Mounting screws



Catalog Number	Description	Packaging includes
TSG	10mL Silicone Glue for Tape Light	1 tube


DRIVERS



Catalog Number	Description	Max Watt	Input Voltage	Input Current	Output Voltage	Rated Current	Environment Rating	Dimmable	Dim Level
TID-60	60W Linear Driver	60W	100-277V AC	TID-60 0.8A@100V	24V DC	2.5A	Damp IP20	Yes, MLV/ELV/TRIAC*	5%
TID-96	96W Linear Driver	96W	100-277V AC	TID-96 1.2A@100V	24V DC	4A	Damp IP20	Yes, MLV/ELV/TRIAC*	5%
TOD-96	96W Outdoor constant voltage hardwire driver IP65	96W	100-277V AC	TOD-96 1.2A@100V	24V DC	4A	Wet IP67	Phase (ELV/MLV/TRIAC) / 0-10V / 1-10V / 10V PWM / Potentiometer	5%
TND-96	96W Linear Driver for /LCB or /RGB Tape Light	96W	100-277V AC	TND-96 1.2A@100V	24V DC	4A	Wet IP67	No. When paired with LCB Controller, tape can be dimmed wirelessly.	5%

* See dimmer compatibility list in this document

LIGHTCLOUD BLUE CONTROLLERS



Catalog Number	Description	Compatible Driver	Compatible Tape	Features
LCBLV/TW	LCB 24V Controller for Tape - Tunable White	TND-96	TIC/LCB, TOS/LCB, TNF/LCB	<ul style="list-style-type: none"> • Wireless control with Lightcloud Blue • Configure scenes or dynamic color changing light shows (<i>RGB only</i>) • Indoor range: 60ft obstructions, 200ft clear line of sight
LCBLVD/RGB	LCB 24V Controller for Tape - RGBW	TND-96	TOS/RGB, TNF/RGB	<ul style="list-style-type: none"> • Outdoor range: 120ft obstructions, 200ft clear line of sight

TECHNICAL SPECIFICATIONS

LIGHTCLOUD BLUE FEATURES

Color Tuning*

Choose from 16+ million colors to customize your space to fit every mood.
*/RGB models only

Light Shows*

Dynamic RGBW light shows with customizable effects and color sequences using the Lightcloud Blue mobile app.
*/RGB models only

Tunable White*

Adjust the color temperature via the Lightcloud Blue mobile app and devices.
*/LCB and /RGB models only

Direct Connect

Use the Lightcloud Blue mobile app to connect to your device(s) in minutes via Bluetooth Mesh; no Gateway or Hub required.

Mobile App Control

Use the Lightcloud Blue mobile app to configure features for On/Off Control, Dim Level, Color Temperature, Schedules, Scenes, SmartShift and more.

SmartShift

Easily configure automated lighting profiles to automatically adjust brightness and color temperature for circadian and aesthetic needs.

Scalable

Devices within 60 feet of each other can communicate within the Bluetooth Mesh network to manage a maximum of up to tens of thousands of devices per account.

Required Controller

Requires Low Voltage 24V Controller (LCBLV[D]/[TW][RGB]), sold separately. Max run length for a single controller is 45 ft.

CONSTRUCTION

Product Type

Dual Flex Silicone Wet Rated Neon Tape Light

Width

3/8"

Length

16'- 4 7/8"

Light Source

SMD LED White

Material Construction

Dual-flex design which can be used to create curved and complex irregular designs

Note: /RGB models are top-bend only

Light Effect

Soft linear lighting performance

Packaging

Recyclable cardboard reel packaged in anti-static paper bag

INSTALLATION

Field Cuttable Increment

Static white: any length

/LCB - every 1.97"

/RGB - every 4.92"

Max Run Length

32' for Static and /LCB models, 65' for /RGB model

Mounting

Easy installation with clips, fixed channel, and bendable channel (sold separately)

ELECTRICAL

Dimmable

PWM Dimming Signal, dimmable down to .1% with LED Driver (sold separately)

Lightcloud Blue models are only dimmable via the mobile app or devices and should not be connected to standard dimmers.

Input Voltage

24V DC

Input Current

5 mA/LED at 120V

Operating Temperature

-4° to 113°F (-20° to 45°C)

Storage Temperature

-4° to 140°F (-20° to 60°C)

Flicker

Flicker Free - Pst LM<1, SVM<0.4, Percent Flickers≤5%@≤200Hz

LED CHARACTERISTICS

Chip Density

36 LED/ft

Beam Angle

120°

Color Temperature

Static White: 3000K

Tunable White* (2700-6500K; default 4000K)

Color Tunable* (2200-3000K or 16+ million colors)

*Requires Lightcloud Blue Controller, sold separately

Color Accuracy (CRI)

90

R9 Value

High color performance with R9 greater than 50

Color Consistency

3 step in 1 bin

COMPLIANCE

Listing

UL2108

Environment

Suitable for use indoors and outdoors in dry, damp, or wet environments.

IP Rating

IP67

California Title 24 JA8 Compliant

Can be used to conform with the requirements of California Title 24 Part 6.

California Energy Commission (CEC) Status

Lawful for Sales in California

NEC Compliant

Suitable for use in closets when used in an enclosed extrusion based on NFPA 70, NEC section 410.16 (A)(1) and 410.16 (C)(1)

IESNA LM-79 & LM80 Testing

RAB LED luminaires and LED components have been tested by an independent laboratory in accordance with IESNA LM-79 and LM-80.

RoHS

Mercury and UV free. RoHS-compliant components.

FCC

Complies with Part 15 of the FCC Rules

WARRANTY

The RAB 5-year, limited warranty covers light output, driver performance and paint finish. RAB's warranty is subject to all terms and conditions found at rablighting.com/warranty.

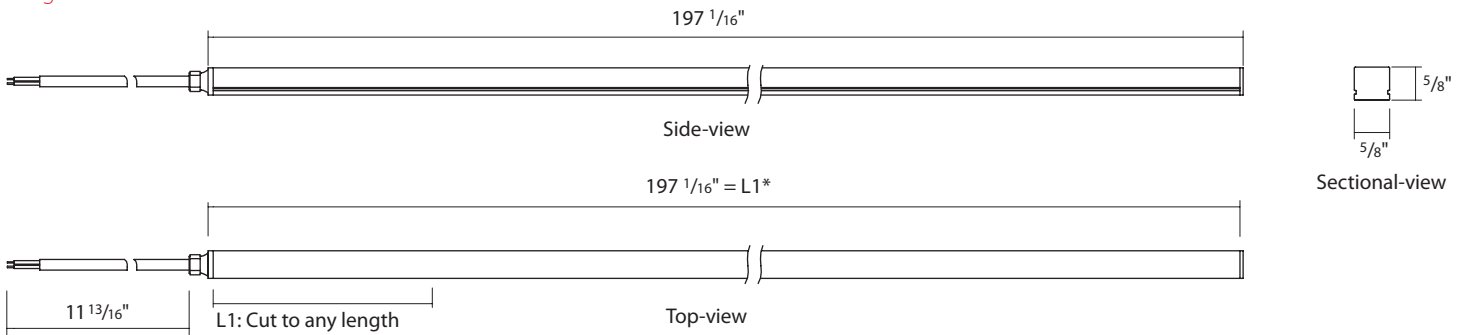
NEOFLEX Bendable Neon Flex



DIMENSIONS

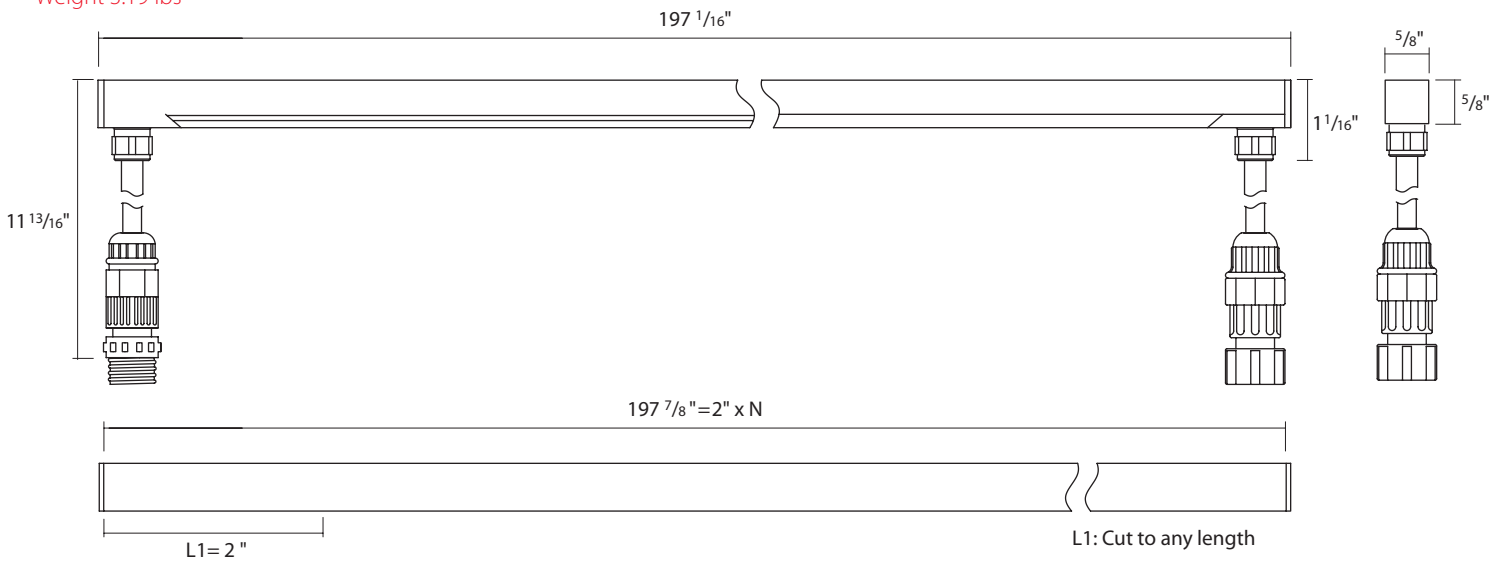
TNFY

Weight 2.64 lbs



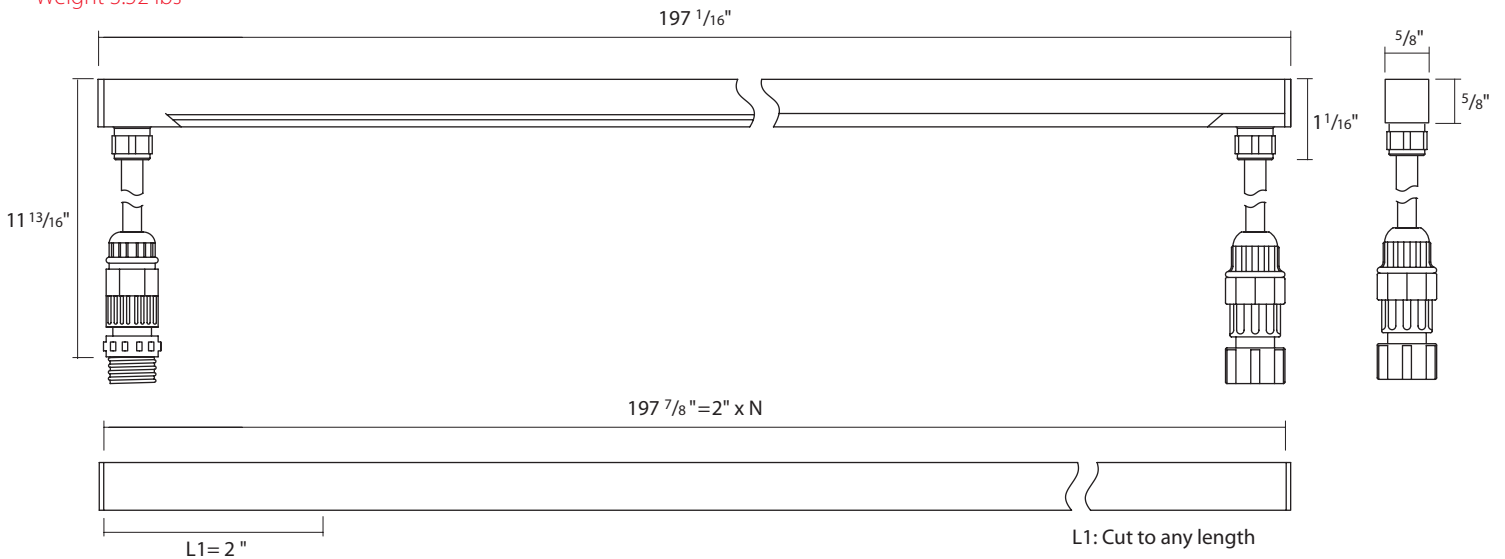
TNF/LCB

Weight 3.19 lbs



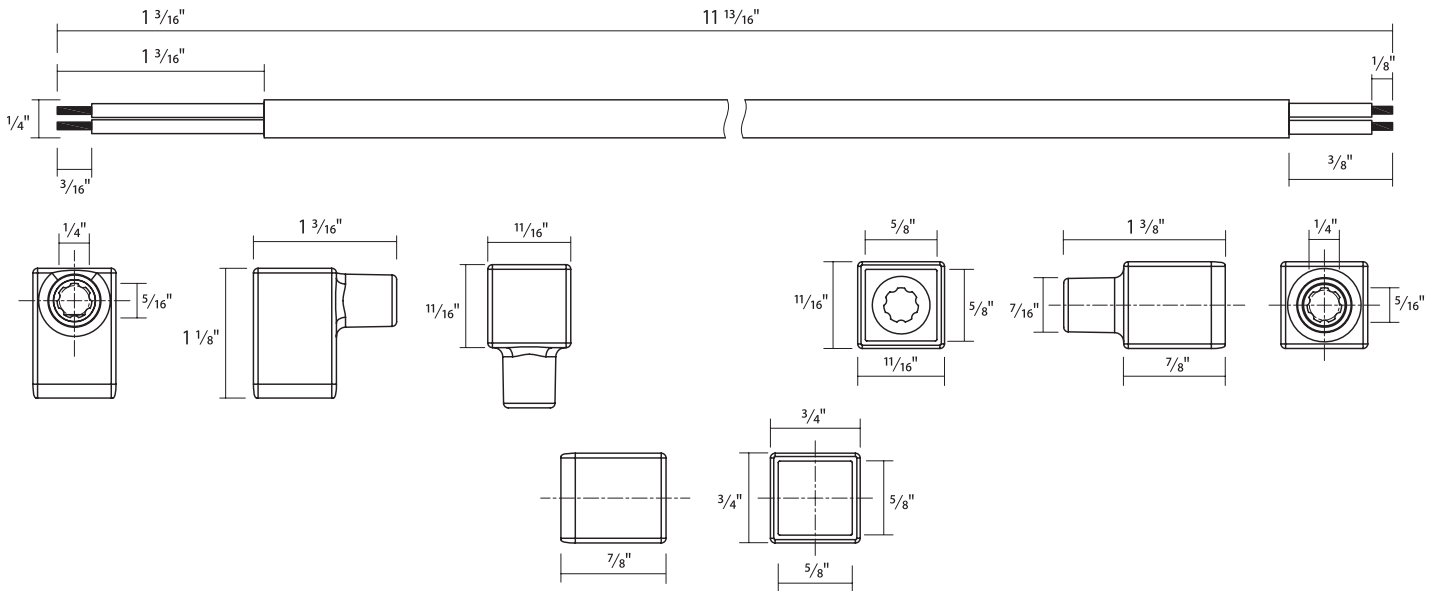
TNF/RGB

Weight 3.52 lbs

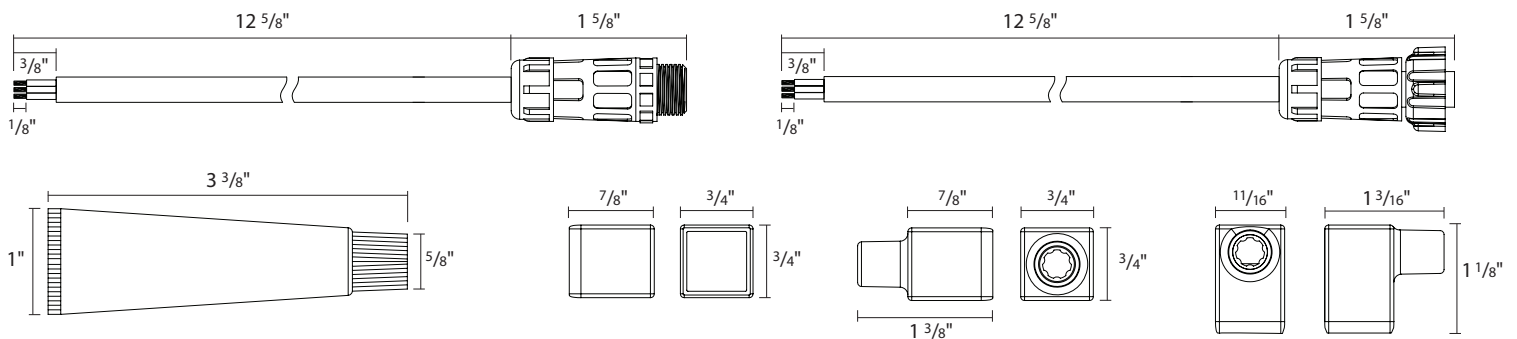


DIMENSIONS - ACCESSORIES

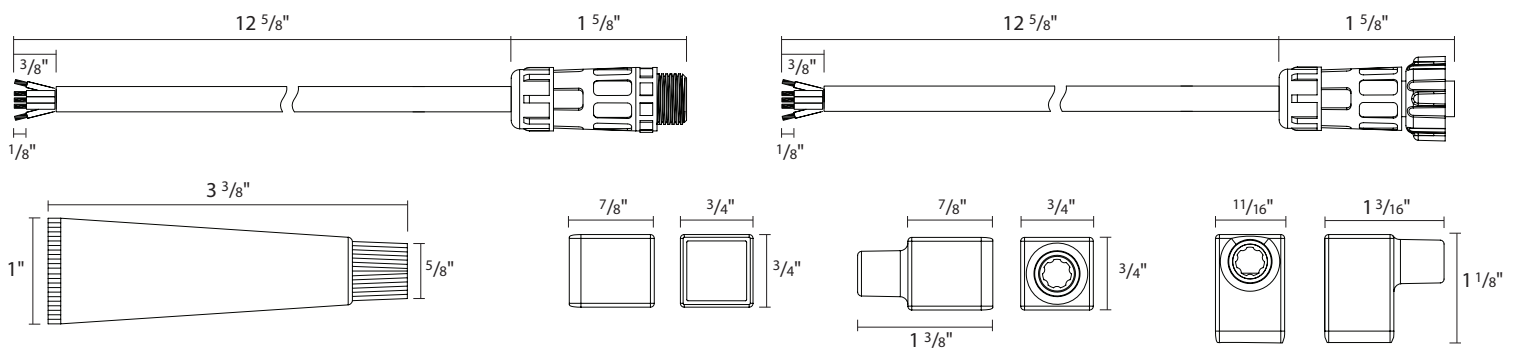
TPF2NF



TPF3NF

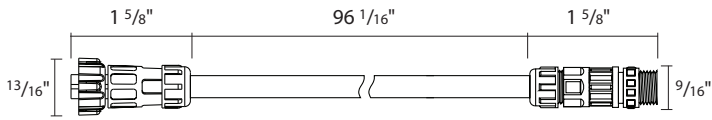


TPF5NF

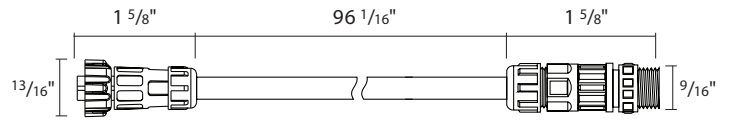


DIMENSIONS - ACCESSORIES (cont'd)

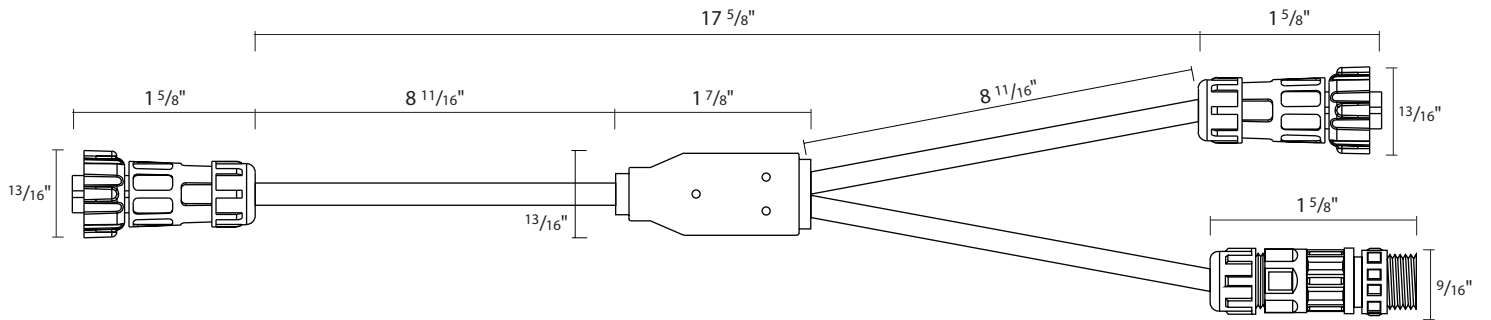
TPFE3



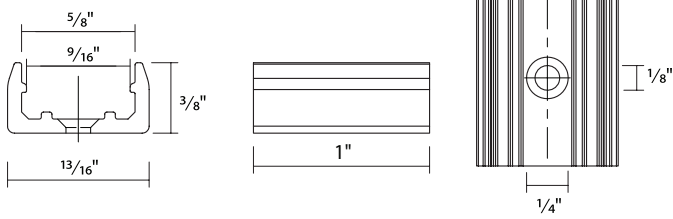
TPFE5



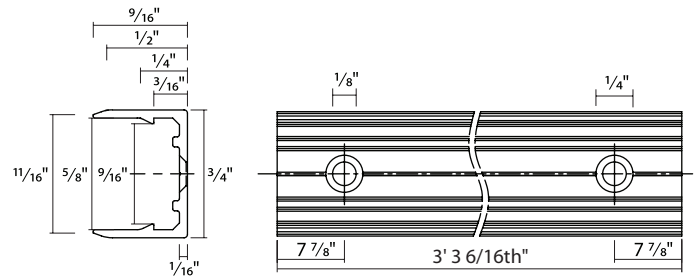
TPFE5



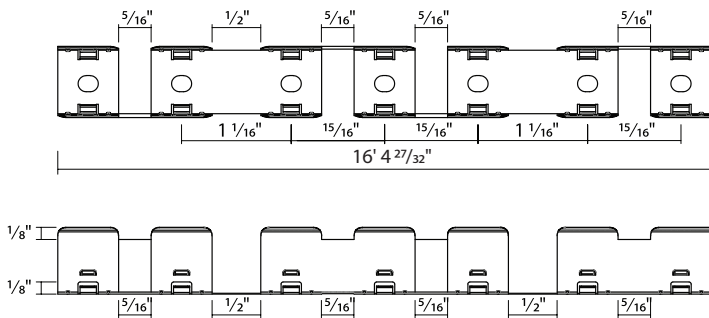
TB16



TAP16

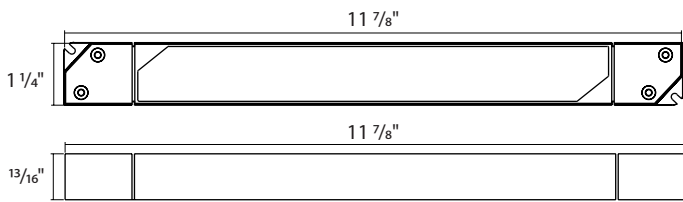


TBB16

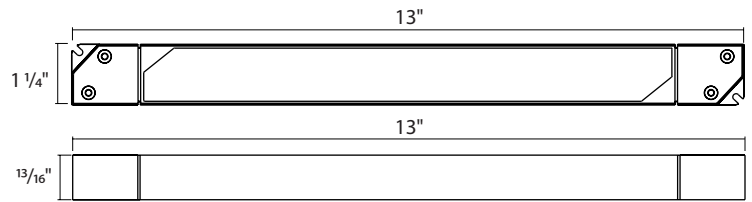


DIMENSIONS - DRIVERS

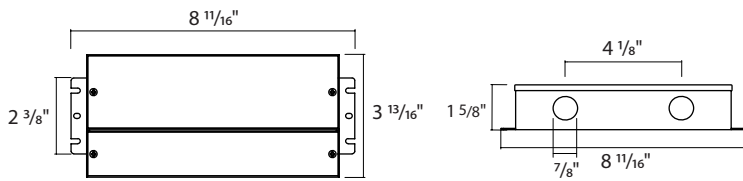
TID-60



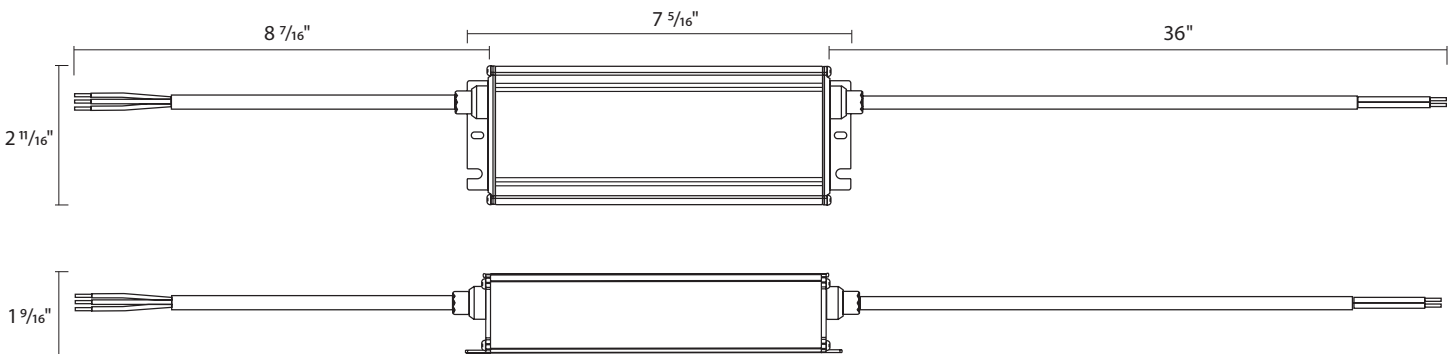
TID-96



TOD-96

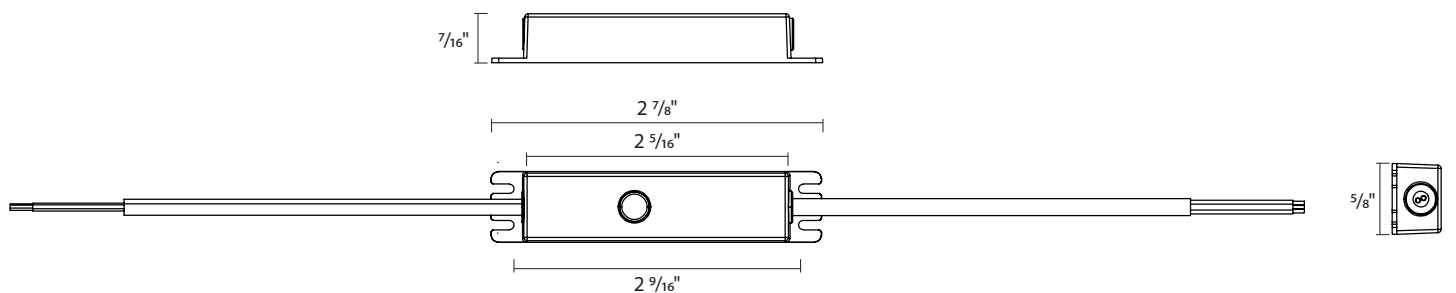


TND-96



DIMENSIONS - LIGHTCLOUD BLUE LOW VOLTAGE (24V) CONTROLLER

LCBLV/TW & LCBLVD/RGB



ORDERING INFO

Catalog Number	UPC	Case Pack
TNFY	192552046848	10
TNF/LCB	192552054713	10
TNF/RGB	192552054720	10

DIMMER COMPATIBILITY LIST

The following dimmers are compatible with non-Lightcloud Blue versions of this product.

Dimmer Brand	Part Number	Dimmer Brand	Part Number
LUTRON	TGCL-153P	LUTRON	DVLV-600P
	MSCL-OP153M		DVCL-153P
	STCL-153M		CTCL-153P
	MACL-153M		DV-600P
	SCL-153P		CTCL-150
	DVRF-6L	LEVITON	IPLO6
	RCL-153PNL		DSLO6
		RAB	XDIM/LCB[S]

Lightcloud Blue models are compatible with the following devices to control on/off and dimming.

Part Number	Description
ZDIM/LCB[S]	Wireless switch/dimmer 120-277V
LCBLUEREMOTE/W	Wireless battery powered remote

Visit rablighting.com for periodic updates to this list or contact us at 888-722-1000 for questions or comments.

ORDERING MATRIX

Family	CRI/Color Temperature	Input Voltage	Options
TNF	Blank Y	Blank	Blank /LCB /RGB
	90 CRI, Tunable White 2700-6500K* 90 CRI, 3000K	24V DC	None Lightcloud Blue 16+ Million Colors w/ Lightcloud Blue

* Only available with /LCB and /RGB models