

TOMO Field-Adjustable Linear Light



TOMO2



TOMO2-WM



TOMO4



TOMO4-WM



TOMO8



TOMO8-WM



PROJECT: _____

DATE: _____

TYPE: _____

PREPARED BY: _____



KEY FEATURES

- Available in following sizes / **selectable** wattages/Mounting options:
Ceiling Mount & JBOX:
TOMO2: 2FT - 24/18/12W (Factory default 18W)
TOMO4: 4FT - 48/36/24W (Factory default 36W)
TOMO8: 8FT - 96/72/48W (Factory default 72W)
Wall Mount:
TOMO2: 2FT - 12/9/6W (Factory default 12W)
TOMO4: 4FT - 24/18/12W (Factory default 24W)
TOMO8: 8FT - 48/36/24W (Factory default 48W)
- Selectable CCTs: 5000/4000/3500/3000K
- **End-to-end** connector available for continuous run mounting
- 5-Year, No-Compromise Warranty
- **UL listed** for damp locations
- **DLC listed**

Field-Adjustable Linear Light



0-10V



100,000 HOURS



FIELD ADJUSTABLE



DAMP RATED

TECHNICAL SPECIFICATIONS

COMPLIANCE

UL Listed

Suitable for damp locations

DLC Listed

This product is on the Design Lights Consortium (DLC) Qualified Products List and is eligible for rebates from DLC Member Utilities. Designed to meet DLC 5.1 requirements.

CATALOG#	DLC ID - Ceiling Mount & JBOX
TOMO2	S-241173
TOMO4	S-6KWZJ1
TOMO8	S-NOVM87

LED CHARACTERISTICS

LEDs

Long-life, high-efficacy, discrete, surface-mount LEDs

Color Consistency

4-step MacAdam Ellipse binning to achieve consistent fixture-to-fixture color

Color Uniformity

RAB's range of Correlated Color Temperature follows the guidelines of the American National Standard for Specifications for the Chromaticity of Solid State Lighting (SSL) Products, ANSI C78.377-2017.

CONSTRUCTION

Cold Weather Starting

The minimum starting temperature is -20°C (-4°F)

Maximum Ambient Temperature

Suitable for use in up to 55°C (131°F)

Cold Weather Starting with Battery Backup (4ft & 8ft)

The minimum starting temperature is 0°C (32°F)

Maximum Ambient Temperature with Battery Backup (4ft & 8ft)

Suitable for use in up to 50°C (122°F)

Mounting

Comes standard with two mounting accessories: aircraft cable for secure, suspended mounts and a stainless bracket for easy mounting to junction boxes. Wall mount option available.

Housing

Cold Rolled Carbon Steel (SPCC)

Lens

Diffused Polymethyl Methacrylate (PMMA)

Green Technology

Mercury and UV free. RoHs-compliant components.

Finish

Formulated for high durability and long lasting color

TECHNICAL SPECIFICATIONS

FIELD ADJUSTABILITY

Ceiling Mount & JBOX:

TOMO2: 2FT - 24/18/12W (Factory default 18W)

TOMO4: 4FT - 48/36/24W (Factory default 36W)

TOMO8: 8FT - 96/72/48W (Factory default 72W)

Wall Mount:

TOMO2: 2FT - 12/9/6W (Factory default 12W)

TOMO4: 4FT - 24/18/12W (Factory default 24W)

TOMO8: 8FT - 48/36/24W (Factory default 48W)

Selectable CCTs: 5000/4000/3500/3000K (Factory default 4000K)

ELECTRICAL

Drivers:

Constant Current, Class 2, Class P, 120-277V, 50/60 Hz

12W: 120V: 0.10A, 208V: 0.06A, 240V: 0.05A, 277V: 0.05A

18W: 120V: 0.15A, 208V: 0.09A, 240V: 0.08A, 277V: 0.07A

24W: 120V: 0.20A, 208V: 0.12A, 240V: 0.10A, 277V: 0.09A

36W: 120V: 0.30A, 208V: 0.18A, 240V: 0.15A, 277V: 0.13A

48W: 120V: 0.40A, 208V: 0.23A, 240V: 0.20A, 277V: 0.18A

72W: 120V: 0.60A, 208V: 0.35A, 240V: 0.30A, 277V: 0.26A

96W: 120V: 0.80A, 208V: 0.47A, 240V: 0.40A, 277V: 0.35A

Wall Mount:

6W: 120V: 0.06A, 208V: 0.05A, 240V: 0.04A, 277V: 0.03A

9W: 120V: 0.08A, 208V: 0.07A, 240V: 0.05A, 277V: 0.04A

12W: 120V: 0.10A, 208V: 0.07A, 240V: 0.06A, 277V: 0.05A

18W: 120V: 0.14A, 208V: 0.10A, 240V: 0.08A, 277V: 0.07A

24W: 120V: 0.20A, 208V: 0.13A, 240V: 0.10A, 277V: 0.09A

36W: 120V: 0.30A, 208V: 0.18A, 240V: 0.15A, 277V: 0.13A

48W: 120V: 0.40A, 208V: 0.24A, 240V: 0.20A, 277V: 0.18A

Dimming Driver:

Driver includes dimming control wiring for 0-10V dimming systems.

Requires separate 0-10V DC dimming circuit. Dims down to 5%.

THD:

Ceiling Mount & JBOX

TOMO2-24W: 7.4% at 120V, 9.8% at 277V

TOMO4-48W: 7.1% at 120V, 11.3% at 277V

TOMO8-96W: 6.5% at 120V, 11.9% at 277V

Wall Mount:

TOMO2-12W: 8.5% at 120V, 10.1% at 277V

TOMO4-24W: 9.25% at 120V, 17.1% at 277V

TOMO8-48W: 8.32% at 120V, 10.3% at 277V

Power Factor:

Ceiling Mount & JBOX

TOMO2-24W: 99.6% at 120V, 98.9% at 277V

TOMO4-48W: 99.6% at 120V, 98.9% at 277V

TOMO8-96W: 99.7% at 120V, 98.7% at 277V

Wall Mount:

TOMO2-12W: 99.3% at 120V, 89.6% at 277V

TOMO4-24W: 99.5% at 120V, 94.1% at 277V

TOMO8-48W: 99.6% at 120V, 98.8% at 277V

Battery Backup:

Battery backup will operate the LED Lamp for 90 minutes if power falls.

Wired for 120-277V.

Surge Protection:

1kV to 2kV

Note: All values are typical (tolerance +/- 10%)

EMERGENCY LIGHT LOSS FACTOR

Ceiling Mount & JBOX:

TOMO4: 4FT

24W: 0.73

36W: 0.48

48W: 0.38

TOMO8: 8FT

48W: 0.36

72W: 0.24

96W: 0.19

Wall Mount:

TOMO4: 4FT

12W: 1.43

18W: 0.97

24W: 0.73

TOMO8: 8FT

24W: 0.73

36W: 0.48

48W: 0.38

LIGHTCLOUD

Lightcloud Controller Installed:

- Integrated/embedded networked lighting control
- Luminaire-level lighting control
- Fixture, Zone, and plug-load control from one powerful device
- LLLC - Capable of switching, 0-10V dimming, power/energy monitoring
- Can also be used to extend the range of Lightcloud
- Mesh network communication protocols
- Offers the capability to set the maximum light output to a less-than-maximum state of an individual luminaire at the time of installation or commissioning. The High-End Trim functionality is field reconfigurable via the Lightcloud mesh network communication protocols.
- The Lightcloud Controller can be attached to the fixture, junction box, or electrical panel
- DLC system - N1XMLOEATBA
- Communication Protocol: Zigbee
- Line of Sight: 1,000 feet
- Obstructions: 100 feet

TECHNICAL SPECIFICATIONS

LIGHTCLOUD BLUE

Lightcloud Blue Installed

Lightcloud Blue is a Bluetooth Mesh wireless lighting control system that allows you to control RAB's various compatible devices. With RAB's patent-pending Rapid Provisioning technology, devices can be quickly and easily commissioned for residential and large commercial applications using the Lightcloud Blue mobile app. Each device in a system can communicate with any other device, eliminating the need for a Gateway or Hub and maximizing the control system's reach.

DLC system - N1XMLOEATBA

Learn more at www.lightcloud.com

Gateway Required

No

Communication Protocol

Bluetooth Mesh

Range

Up to 60 feet between standard building materials

Up to 200 feet clear line of sight

Spacing Criteria

Lightcloud Blue devices should be placed within the specified range to communicate within the Bluetooth Mesh network.

Factory Reset

Method 1: Delete from App

Open the app and access the device settings for the paired device. Be sure that the device is online and select 'Delete'. The device will flash on/off 5 times and return to full brightness.

Method 2: Manual

Locate the device identification button at the top of the Controller under the Lightcloud logo. Press and hold this button for 10s or until the indicator light begins flashing red. If the Controller is attached to a fixture, the fixture will also flash on/off 5x.

Status Indicator

The status indicator light is located around the circumference of the top of the Controller.

Solid Green - Nano is paired to the Lightcloud Blue app

Flashing Red - Nano has been restored to default factory settings

Device Identification Button

Located at the top of the controller under the Lightcloud logo.

Once the Controller has been provisioned to the Lightcloud Blue mobile app this button offers the following functionality:

- Press once to rapid identify this device in the Lightcloud Blue mobile app
- Press twice to toggle circuit on and off
- Press twice and hold to set dim level
- Press and hold for 10s to reset the device to factory settings and into pairing mode

Sensor Connection Type

RJ09

Max Mounting Height

8 to 12 feet

Detection Range

20 ft. diameter at 9 ft. mounting height

Default Setting

Uncommissioned State:

Sensor Status: Enabled

Motion Sensitivity: High

Brightness when triggered : 100%

Hold time: 1 minute

Standby to dim: 20%

Standby time: 1 minute

When vacant: Off

LIGHTCLOUD BLUE (CONTINUED)

Commissioned State:

Sensor Status: Disabled, once enabled the following default are set.

Motion Sensitivity: High

Brightness when triggered: Last on status

Hold time: 20 minutes

When vacant: Off

Sensor Type

Passive Infrared

Sensing Type

Occupancy or Vacancy

Sensor Sensitivity

Low/Medium/High

Occupied Actions

On or On at a Dim Level

Vacant Options

Off or On at a Dim Level

Occupancy Timeout

1 minute to 240 minutes

Daylight Sensing

The sensor will determine to trigger the light(s) on or not based on the daylight threshold level set in the Lightcloud Blue mobile app.

Daylight Threshold

150 lux to 1500 lux

MICROWAVE OCCUPANCY SENSOR W/DAYLIGHT SENSING, MULTI-FUNCTION SENSOR (OPTIONAL)

Capacity Load: 400VA at 120VAC, 800VA at 230VAC, 1000VA at 277VAC

Operating Temperature: -20°C to +60°C (-4°F to +140°F)

Relay: Zero-cross relay

Maximum Mounting Height: 16.4 feet

Customizable Detection Area: 10, 50, 75 or 100%

Time Delay: 5s, 30s, 1min, 10min, 20min, 30min

Cut-Off Period: 0s, 10s, 1min, 5min, 10min, 30min, 1hr, Bi-Level

Cut-Off Dimming level: 10, 20, 30, 50%

Cut-Off Power: Less than 1W

Daylight Threshold: About 25 fc for disabled

Sensor Principle: High Frequency

Microwave Frequency: 5.8GHz +/- 75MHz

Microwave Power: <0.2mW

Max Detection Range: 26 ft. diameter at 16 ft. mounting height

Detection Angle: About 30 to 150 degree

Remote Control: Adjust settings using remote control (catalog# MSR1).

Only available with 0-10V dimming driver options.

OTHER

Buy American Act Compliance:

RAB values USA manufacturing! Upon request, RAB may be able to manufacture this product to be compliant with the BUY American Act (BAA). Please contact customer service to request a quote for the product to be made BAA compliant.

Warranty

RAB warrants that our LED products will be free from defects in materials and workmanship for a period of five (5) years from the date of delivery to the end user, including coverage of light output, color stability, driver performance and fixture finish. RAB's warranty is subject to all terms and conditions found at rablighting.com/warranty.

TOMO Field-Adjustable Linear Light



PERFORMANCE

TOMO with Wall Mount Option:

TOMO2	3000K	3500K	4000K	5000K	3000K	3500K	4000K	5000K	3000K	3500K	4000K	5000K
WATTAGE	12W				9W				6W			
INPUT WATTS	12.1W	11.9W	11.9W	12.1W	9W	8.9W	8.9W	9W	6.7W	6.7W	6.6W	6.7W
LUMENS	1,473	1,541	1,570	1,609	1,052	1,106	1,120	1,152	764	802	802	830
EFFICACY (LM/W)	121.7	129.5	131.9	133	116.9	124.3	125.8	128	114	119.7	121.5	123.9
CRI	82	84	84	82	82	84	84	82	82	84	84	82
VOLTAGE RATINGS	120-277V											

TOMO4	3000K	3500K	4000K	5000K	3000K	3500K	4000K	5000K	3000K	3500K	4000K	5000K
WATTAGE	24W				18W				12W			
INPUT WATTS	23.4W	23.1W	22.9W	23.4W	17.2W	17.1W	17W	17.2W	12.6W	12.5W	12.4W	12.6W
LUMENS	3,016	3,138	3,193	3,285	2,234	2,320	2,363	2,432	1,617	1,672	1,700	1,765
EFFICACY (LM/W)	128.9	135.8	139.4	140.4	129.9	135.7	139	141.4	128.3	133.8	137.1	140.1
CRI	82	84	84	82	82	84	84	82	83	84	84	82
VOLTAGE RATINGS	120-277V											

TOMO8	3000K	3500K	4000K	5000K	3000K	3500K	4000K	5000K	3000K	3500K	4000K	5000K
WATTAGE	48W				36W				24W			
INPUT WATTS	48.3W	47.8W	47.2W	48.2W	35.0W	34.5W	34.3W	34.8W	23.6W	23.4W	23.3W	23.5W
LUMENS	5,859	6,175	6,245	6,468	4,308	4,531	4,626	4,789	3,028	3,178	3,204	3,349
EFFICACY (LM/W)	121.3	129.2	132.3	134.2	123.1	131.3	134.0	137.6	128.3	135.8	137.5	142.5
CRI	83	84	84	82	82	84	84	83	83	84	84	82
VOLTAGE RATINGS	120-277V											

TOMO with Suspended Mount / JBOX Mounting brackets:

TOMO4	3000K	3500K	4000K	5000K	3000K	3500K	4000K	5000K	3000K	3500K	4000K	5000K
WATTAGE	24W				18W				12W			
INPUT WATTS	24.6W	24.2W	24.1W	24.6W	18.3W	18.1W	18.0W	18.1W	12.6W	12.5W	12.5W	23.4W
LUMENS	3,016	3,177	3,222	3,332	2,254	2,375	2,398	2,478	1,540	1,617	1,629	3,223
EFFICACY (LM/W)	122.6	131.3	133.7	135.4	123.2	131.2	133.2	135.4	122.2	129.4	130.3	137.7
CRI	81	84	84	81	81	84	84	81	82	84	84	82
VOLTAGE RATINGS	120-277V											

TOMO8	3000K	3500K	4000K	5000K	3000K	3500K	4000K	5000K	3000K	3500K	4000K	5000K
WATTAGE	48W				36W				24W			
INPUT WATTS	48.6W	47.9W	48.1W	48.6W	35.0W	34.5W	34.3W	34.8W	23.0W	23.2W	23.1W	23.4W
LUMENS	5,929	6,187	6,413	6,603	4,308	4,531	4,626	4,789	2,888	3,023	3,098	3,223
EFFICACY (LM/W)	122.0	129.2	133.3	135.9	123.1	131.3	134.0	137.6	125.6	130.3	134.1	137.7
CRI	82	84	84	82	82	84	84	83	82	84	84	82
VOLTAGE RATINGS	120-277V											

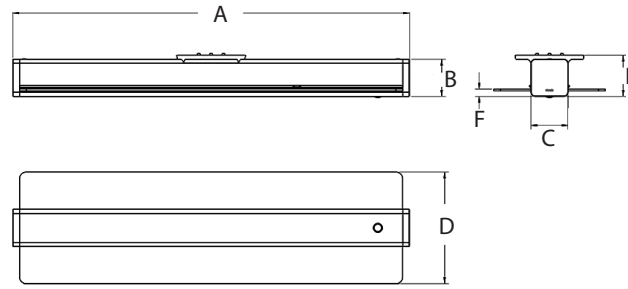
TOMO8	5000K	4000K	3500K	3000K	5000K	4000K	3500K	3000K	5000K	4000K	3500K	3000K
WATTAGE	96W				72W				48W			
INPUT WATTS	94.2W	91.9W	92.3W	93.8W	69.5W	68.2W	68.4W	69.3W	46.9W	46.1W	46.3W	46.7W
LUMENS	12,028	11,813	11,283	10,988	9,407	8,939	8,850	8,362	6,217	6,126	5,811	5,736
EFFICACY (LM/W)	127.7	128.5	122.2	117.1	135.4	131.1	129.4	120.7	132.6	132.9	125.5	122.8
CRI	83	84	85	84	82	84	84	82	83	84	85	84
VOLTAGE RATINGS	120-277V											

TOMO Field-Adjustable Linear Light



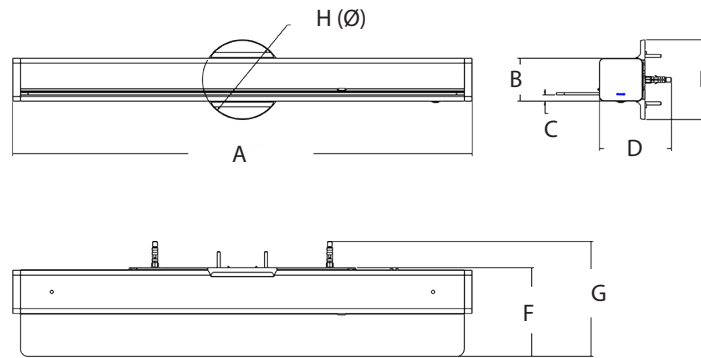
DIMENSIONS

TOMO



Model#	A	B	C	D	E	F	Weight Ceiling mount
TOMO-2	24"	2 1/4"	2 1/4"	6 3/4"	2 1/2"	1/2"	4.96 lbs
TOMO-4	48"	2 1/4"	2 1/4"	6 3/4"	2 1/2"	1/2"	8.99 lbs
TOMO-8	96"	2 1/4"	2 1/4"	6 3/4"	2 1/2"	1/2"	17.90 lbs

TOMO (Wall Mount)



Model#	A	B	C	D	E	F	G	H (Ø)	Weight Wall mount
TOMO-2WM	24"	2 1/4"	5/16"	3 3/4"	4 5/32"	4 5/8"	6"	4 5/32"	4.1 lbs
TOMO-4WM	48"	2 1/4"	5/16"	3 25/32"	4 5/32"	4 5/8"	6"	4 5/32"	8.2 lbs
TOMO-8WM	96"	2 1/4"	5/16"	3 3/4"	4 5/32"	4 5/8"	6"	4 5/32"	16.4 lbs

TOMO Field-Adjustable Linear Light



ACCESSORY

Image	SKU#	UPC	Description
	TOMO CONNECT	192552003261	FIXTURE-TO-FIXTURE CONNECTOR FOR TOMO 2FT/4FT/8FT
	TOMO-REMOTE	192552003629	PIR SENSOR REMOTE CONTROL FOR TOMO

ORDERING MATRIX

TOMO

Family	Length/Wattage	Color Temp	Finish	Voltage	Options
TOMO	-				
	2 2 FT (24/18/12W) 4 4 FT (48/36/24W) 8 8 FT (96/72/48W)	BLANK 5000/4000/3500/3000K	BLANK White	BLANK 120-277V, 0-10V Dimming	BLANK No Option /PIR Passive Infrared Occupancy Sensor /E Battery Backup* /LC Lightcloud Controller /LC/E Lightcloud Controller w/ Battery Backup* /PIR/E Passive Infrared Occupancy Sensor w/ Battery Backup* /LCB Lightcloud Blue-enabled /LCBS Lightcloud Blue-enabled w/PIR sensor /LCB/E Lightcloud Blue-enabled w/ Battery Backup /LCBS/E Lightcloud Blue-enabled w/ PIR sensor w/Battery Backup* /LCS Lightcloud Sensor

* Available only for 4" and 8"

Family	Length/Wattage	Color Temp	Finish	Mounting	Voltage	Options
TOMO	-			WM		
	2 2 FT (12/9/6W) 4 4 FT (24/18/12W) 8 8 FT (48/36/24W)	BLANK 5000/4000/3500/3000K	BLANK White	WM Wall Mount	BLANK 120-277V, 0-10V Dimming	BLANK No Option /PIR Passive Infrared Occupancy Sensor /E Battery Backup* /LC Lightcloud Controller /LC/E Lightcloud Controller w/Battery Backup* /PIR/E Passive Infrared Occupancy Sensor w/ Battery Backup* /LCB Lightcloud Blue-enabled /LCBS Lightcloud Blue-enabled w/PIR sensor /LCB/E Lightcloud Blue-enabled w/ Battery Backup /LCBS/E Lightcloud Blue-enabled w/ PIR sensor and w/Battery Backup* /LCS Lightcloud Sensor

* Available only for 4" and 8"