

FLEXTAPE Wet Location Tape



24V DC, Outdoor-Rated Tape Light



* Select models

PROJECT: _____

DATE: _____

TYPE: _____

PREPARED BY: _____



KEY FEATURES

- **Flexible, wet location LED tape** provides energy-efficient lighting for both indoor and outdoor applications
- **Field-cuttable** for quick, in-field customization (*connectors sold separately*)
- **Easy installation** to most surfaces by using pre-attached 3M® double-sided tape
- Available in static white, tunable white, or RGBW using 16+ million colors
- Indoor and outdoor rated drivers available (*sold separately*)
- Simple wireless control via Bluetooth mesh with Lightcloud Blue Controller (*sold separately*)
- **50,000-hr rated life**, Title 24 Compliant, and 5-year limited warranty

PERFORMANCE

Catalog Number	Type	Input Voltage	Color Temperature	Reel Length	Max Output Wattage	Max Lumens	IP Rating	CRI	Cutting Increment	Max Run
TOSYY	Static CCT, 32 ft	DC24V	2700K	32 ft	2.5 W/ft	250 lm/ft	IP67	90	2 in	32 ft
TOSY			3000K			263 lm/ft				
TOSYN			3500K			260 lm/ft				
TOSN			4000K			275 lm/ft				
TOSCW			5000K			275 lm/ft				
TOSLYY	Static CCT, 100 ft	DC24V	2700K	100 ft	2.5 W/ft	250 lm/ft	IP67	90	2 in	32 ft
TOSLY			3000K			260 lm/ft				
TOSLYN			3500K			260 lm/ft				
TOSLN			4000K			275 lm/ft				
TOSLCW			5000K			275 lm/ft				
TOSHYY*	Static CCT, High-Output, 32 ft	DC24V	2700K	16 ft	4.8 W/ft	470 lm/ft	IP67	90	2 in	16 ft
TOSHY*			3000K			490 lm/ft				
TOSHYN*			3500K			490 lm/ft				
TOSHN*			4000K			518 lm/ft				
TOSHCW*			5000K			518 lm/ft				
TOS/LCB**	Tunable White, 16 ft	DC24V	Tunable 2700-6500K	16 ft	2.5 W/ft	WW: 215 lm/ft CW: 240 lm/ft Mix: 225 lm/ft	IP67	90	2 in	32 ft
TOS/RGB**	RGBW, 16 ft	DC24V	2200-3000K and 16+ million colors	16 ft	6.1 W/ft	R: 28 lm/ft G: 100 lm/ft B: 22 lm/ft W: 107 lm/ft Mix: 250 lm/ft	IP67	90	3 15/16 in	32 ft

* H series models are recommended to be mounted using an aluminum channel (*sold separately, see Accessories*)

** Requires Lightcloud Blue Controller, *sold separately*

FLEXTAPE Wet Location Tape



ACCESSORIES



Catalog Number	Description	Packaging includes
TPF2	Tape Light End Cap Kit	8mm, 2-Pin hard wiring, 11 ⁷ / ₈ "
Compatible with: TOSYY, TOSY, TOSYN, TOSN, TOSCW, TOSLYY, TOSLY, TOSLYN, TOSLN, TOSLCW, TOSHYY, TOSHY, TOSHYN, TOSH, TOSHN, TOSHCW		



Catalog Number	Description	Packaging includes
TPF3	Tape Light End Cap Kit	10mm, 3-Pin hard wiring
Compatible with: TOS/LCB		



Catalog Number	Description	Packaging includes
TPF5	Tape Light End Cap Kit	12mm, 5-Pin hard wiring
Compatible with: TOS/RGB		



Catalog Number	Description	Packaging includes
TPFE3	Tape Light Wire Extender	3-Pin connected w/8' wire
Compatible with: TOS/LCB		



Catalog Number	Description	Packaging includes
TPFE5	Tape Light Wire Extender	5-Pin connected w/8' wire
Compatible with: TOS/RGB		



Catalog Number	Description	Packaging includes
TPFS3	Tape Light 3-Pin "Y" Wire Splitter	3-Pin "Y" Wire Splitter
Compatible with: TOS/LCB		



Catalog Number	Description	Packaging includes
TPF55	Tape Light 5-Pin "Y" Wire Splitter	5-Pin + 2-pin connectors
Compatible with: TOS/RGB		



Catalog Number	Description	Packaging includes
TOJ2	Tape Light 2-Pin Connector Kit	1 PCB-PCB connector 1 PCB-Wire connector + 1 end cap 1 PCB-Wire-PCB connector
Compatible with: TOSYY, TOSY, TOSYN, TOSN, TOSCW, TOSLYY, TOSLY, TOSLYN, TOSLN, TOSLCW, TOSHYY, TOSHY, TOSHYN, TOSH, TOSHN, TOSHCW		




Catalog Number	Description	Packaging includes
TOJ2L	Tape Light 2-Pin "L" Connector Kit	1 PCB-PCB connector 1 PCB-Wire connector + 1 end cap 1 PCB-Wire-PCB connector
Compatible with: TOSYY, TOSY, TOSYN, TOSN, TOSCW, TOSLYY, TOSLY, TOSLYN, TOSLN, TOSLCW, TOSHYY, TOSHY, TOSHYN, TOSH, TOSHN, TOSHCW		



Catalog Number	Description	Packaging includes
TOJ3	Tape Light 3-Pin Connector Kit	1 PCB-PCB connector 1 PCB-Wire connector + 1 end cap 1 PCB-Wire-PCB connector
Compatible with: TOS/LCB		

ACCESSORIES (cont'd)




Catalog Number	Description	Packaging includes
TOJ5	Tape Light 5-Pin Connector Kit	1 PCB-PCB connector 1 PCB-Wire connector + 1 end cap 1 PCB-Wire-PCB connector
Compatible with: TOS/RGB		




Catalog Number	Description	Packaging includes
TAP12	Anodized Aluminum Channel with Silver Finish	12mm width
Compatible with: TOSYY, TOSY, TOSYN, TOSN, TOSCW, TOSLYY, TOSLY, TOSLYN, TOSLN, TOSLCW, TOSHYY, TOSHY, TOSHYN, TOSH, TOSHCW		


Note: Endcaps will not fit inside channel, consider TAP15.



Catalog Number	Description	Packaging includes
TAP15	Anodized Aluminum Channel with Silver Finish	15mm width
Compatible with: TOSYY, TOSY, TOSYN, TOSN, TOSCW, TOSLYY, TOSLY, TOSLYN, TOSLN, TOSLCW, TOSHYY, TOSHY, TOSHYN, TOSH, TOSHCW, TOS/LCB, TOS/RGB		




Catalog Number	Description	Packaging includes
TAP16C	Corner Aluminum Profile	16mm width
Compatible with: TOSYY, TOSY, TOSYN, TOSN, TOSCW, TOSLYY, TOSLY, TOSLYN, TOSLN, TOSLCW, TOSHYY, TOSHY, TOSHYN, TOSH, TOSHCW		



Catalog Number	Description	Packaging includes
TAP16TL	Trimless Aluminum Channel	16mm width
Compatible with: TOSYY, TOSY, TOSYN, TOSN, TOSCW, TOSLYY, TOSLY, TOSLYN, TOSLN, TOSLCW, TOSHYY, TOSHY, TOSHYN, TOSH, TOSHCW, TOS/LCB, TOS/RGB		




Catalog Number	Description	Packaging includes
TSC2	Tape Light Silicone Clips Kit 8mm	20 Clips and screws
Compatible with: TOSYY, TOSY, TOSYN, TOSN, TOSCW, TOSLYY, TOSLY, TOSLYN, TOSLN, TOSLCW, TOSHYY, TOSHY, TOSHYN, TOSH, TOSHCW		



Catalog Number	Description	Packaging includes
TSC3	Tape Light Silicone Clips Kit 10mm	20 Clips and screws
Compatible with: TOS/LCB		







Catalog Number	Description	Packaging includes
TSC5	Tape Light Silicone Clips Kit 12mm	20 Clips and screws
Compatible with: TOS/RGB		




Catalog Number	Description	Packaging includes
TSG	10mL Silicone Glue	1 tube
Compatible with: TOSYY, TOSY, TOSYN, TOSN, TOSCW, TOSLYY, TOSLY, TOSLYN, TOSLN, TOSLCW, TOSHYY, TOSHY, TOSHYN, TOSH, TOSHCW, TOS/LCB, TOS/RGB		

DRIVERS



Catalog Number	Description	Max Watt	Input Voltage	Input Current	Output Voltage	Rated Current	Environment Rating	Dimmable	Dim Level
 TID-60	60W Linear Driver	60W	100-277V AC	TID-60 0.8A@100V	24V DC	2.5A	Damp IP20	Yes, MLV/ELV/TRIAC*	5%
 TID-96	96W Linear Driver	96W	100-277V AC	TID-96 1.2A@100V	24V DC	4A	Damp IP20	Yes, MLV/ELV/TRIAC*	5%
 TOD-96	96W Outdoor constant voltage hardwire driver IP65	96W	100-277V AC	TOD-96 1.2A@100V	24V DC	4A	Wet IP67	Phase (ELV/MLV/TRIAC) / 0-10V / 1-10V / 10V PWM / Potentiometer	5%
 TND-96	96W Linear Driver for /LCB or /RGB Tape Light	96W	100-277V AC	TND-96 1.2A@100V	24V DC	4A	Wet IP67	No. When paired with LCB Controller, tape can be dimmed wirelessly.	5%

*See dimmer compatibility list in this document.

DRIVER ACCESSORIES

Catalog Number	Description	Packaging includes
 TND/B	J-box for TND drivers	Junction box
Compatible with: TND-96		

LIGHTCLOUD BLUE CONTROLLERS

Catalog Number	Description	Compatible Driver	Compatible Tape	Features
 LCBLV/TW	LCB 24V Controller for Tape - Tunable White	TND-96	TIC/LCB, TOS/LCB, TNF/LCB	<ul style="list-style-type: none"> • Wireless control with Lightcloud Blue • Configure scenes or dynamic color changing light shows (RGB only) • Indoor range: 60ft obstructions, 200ft clear line of sight • Outdoor range: 120ft obstructions, 200ft clear line of sight
 LCBLVD/RGB	LCB 24V Controller for Tape - RGBW	TND-96	TOS/RGB, TNF/RGB	

TECHNICAL SPECIFICATIONS

LIGHTCLOUD BLUE FEATURES

Color Tuning*

Choose from 16+ million colors to customize your space to fit every mood.

**/RGB models only*

Light Shows*

Dynamic color changing animation sequences, easily configure colors, brightness and speed.

**/RGB models only*

Tunable White*

Adjust the color temperature via the Lightcloud Blue mobile app and devices.

**/LCB and /RGB models only*

Direct Connect

Use the Lightcloud Blue mobile app to connect to your device(s) in minutes via Bluetooth Mesh; no Gateway or Hub required.

Mobile App Control

Use the Lightcloud Blue mobile app to configure features for On/Off Control, Dim Level, Color Temperature, Schedules, Scenes, SmartShift and more.

SmartShift*

Easily configure automated lighting profiles to automatically adjust brightness and color temperature for circadian and aesthetic needs.

**/LCB and /RGB models only*

Scalable

Devices within 60 feet of each other can communicate within the Bluetooth Mesh network to manage a maximum of up to tens of thousands of devices per account.

Required Controller

Requires Low Voltage 24V Controller (LCBLV[D]/[TW][RGB]), sold separately. Max run length for a single controller is 45 ft.

CONSTRUCTION

Product Type

Wet Location SMD Tape Static White

Width

$\frac{3}{8}$ "

Reel Length

TOSXX: 32 ft

TOSLXX: 100 ft

TOSHXX, TOS/LCB, TOS/RGB: 16 ft

Light Source

SMD LED White

Material Construction

Weather-resistant, high-grade silicone cover with super-flexible bending

Light Effect

High Output LED

Packaging

Recyclable cardboard reel packaged in anti-static paper bag

INSTALLATION

Field Cuttable Increment

TOSXX, TOSLXX, TOSHXX, TOS/LCB: 2 in

TOS/RGB: 3.9 in

Max Run Length

TOSXX, TOSLXX, TOS/LCB, TOS/RGB: 32 ft

TOSHXX: 16 ft

Mounting

Easy installation to most surfaces by using pre-attached 3M® double-sided tape

ELECTRICAL

Dimmable

PWM dimming signal, dimmable down to .1% with LED driver (*sold separately*).

Lightcloud Blue models are only dimmable via the mobile app or devices and should not be connected to standard dimmers.

Input Voltage

24V DC

Input Current

19 mA per Chip at 120V

Operating Temperature

-4° to 113°F (-20° to 45°C)

Storage Temperature

-4° to 140°F (-20° to 60°C)

LED CHARACTERISTICS

Chip Density

TOSXX, TOSLXX: 38 chips/LED

TOSHXX: 38 chips/LED

TOS/LCB: 73 chips/LED

TOS/RGB: 18 chips/LED

Beam Angle

120°

Color Temperature

TOSXX, TOSLXX, TOSHXX: 2700K, 3000K, 3500K, 4000K, 5000K

TOS/LCB: Tunable White 2700-6500K*

TOS/RGB: Tunable White 2700-6500K and 16+ million colors

**Requires Lightcloud Blue Controller, sold separately*

Color Accuracy (CRI)

90

R9 Value

High color performance with R9 greater than 50

Color Consistency

<3-step MacAdam Ellipse binning to achieve consistent fixture-to-fixture color

COMPLIANCE

Listing

UL2108

Environment

Suitable for use indoors and outdoors in dry, damp, or wet environments.

IP Rating

IP67

California Title 24 JA8 Compliant

Can be used to conform with the requirements of California Title 24 Part 6.

California Energy Commission (CEC) Status

Lawful for Sales in California

NEC Compliant

Suitable for use in closets when used in an enclosed extrusion based on NFPA 70, NEC section 410.16 (A)(1) and 410.16 (C)(1)

IESNA LM-79 & LM80 Testing

RAB LED luminaires and LED components have been tested by an independent laboratory in accordance with IESNA LM-79 and LM-80.

RoHS

Mercury and UV free. RoHS-compliant components.

FCC

Complies with Part 15 of the FCC Rules

WARRANTY

The RAB 5-year, limited warranty covers light output, driver performance and paint finish. RAB's warranty is subject to all terms and conditions found at rablighting.com/warranty.

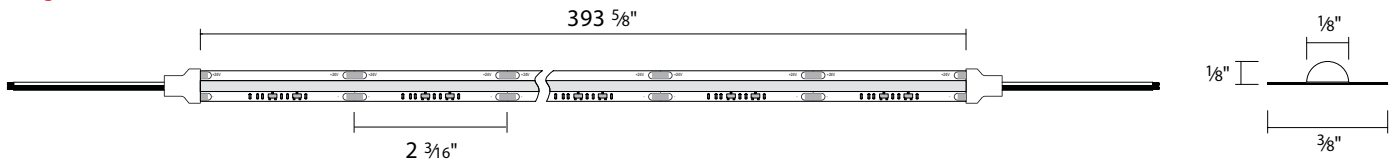
FLEXTAPE Wet Location Tape



DIMENSIONS

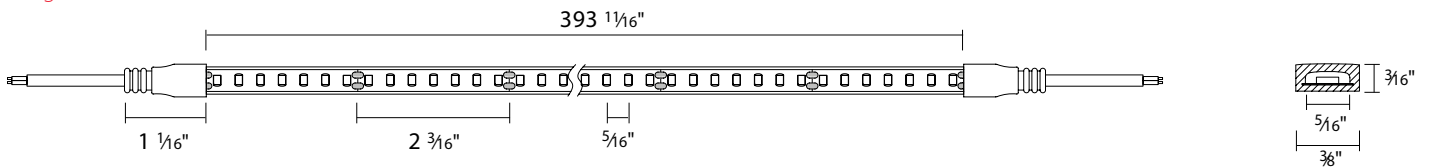
TOSYY, TOSY, TOSN

Weight .92 lbs



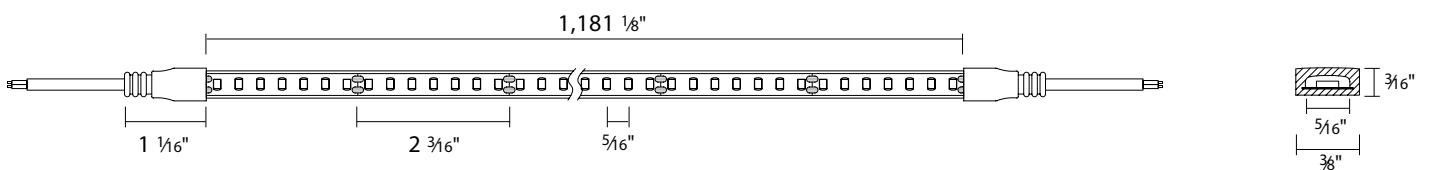
TOSYN, TOSCW

Weight .92 lbs



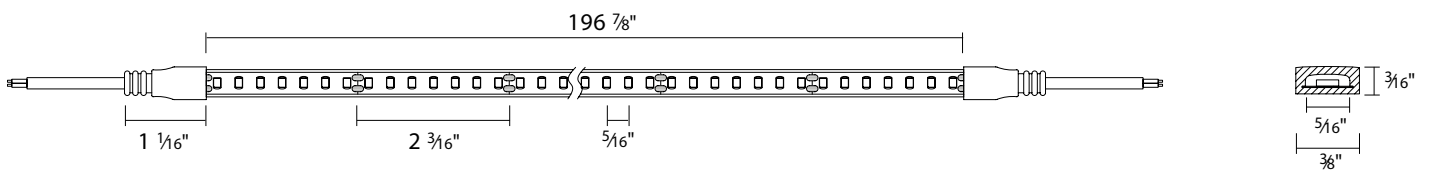
TOSLYY, TOSLY, TOSLYN, TOSLN, TOSLCW

Weight 3.96 lbs



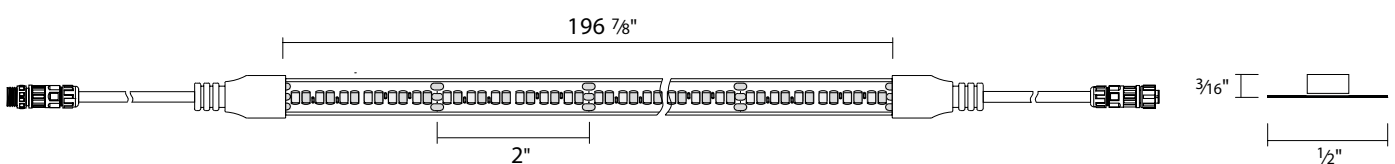
TOSHYY, TOSHY, TOSHYN, TOSHN, TOSHCW

Weight .95 lbs



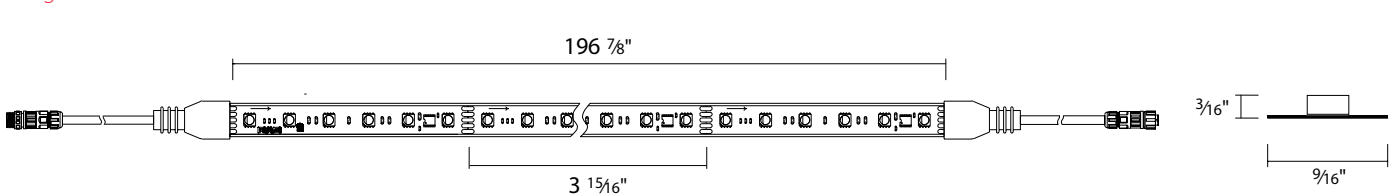
TOS/LCB

Weight .92 lbs



TOS/RGB

Weight .95 lbs

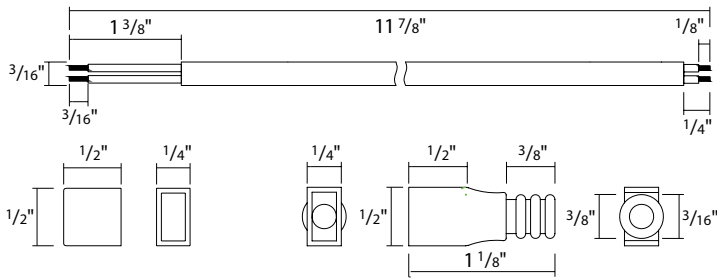


FLEXTAPE Wet Location Tape

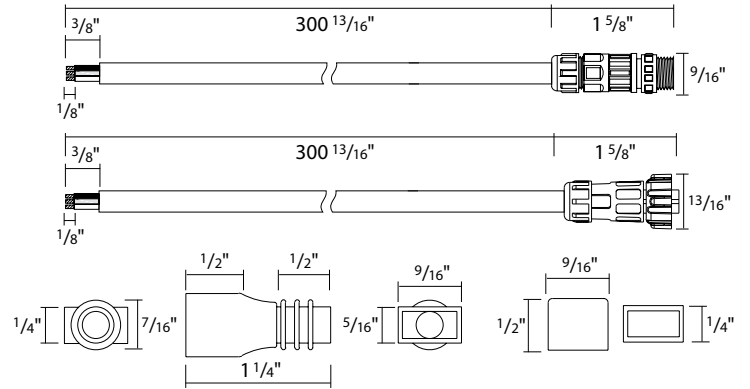


DIMENSIONS - ACCESSORIES

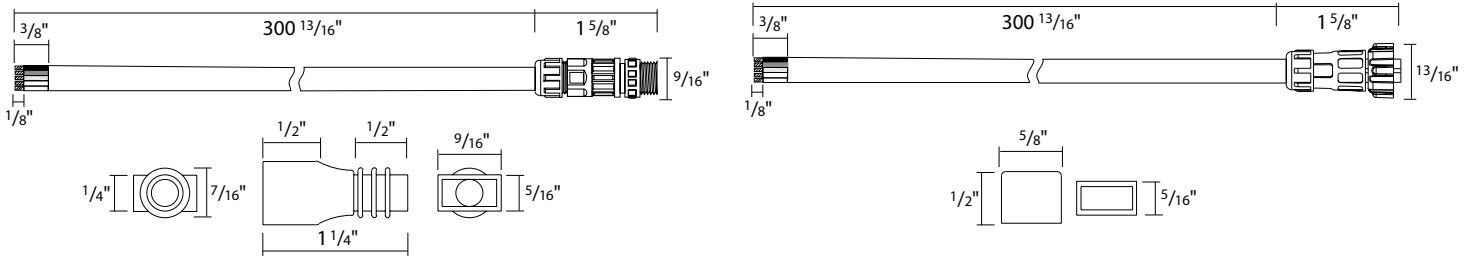
TPF2



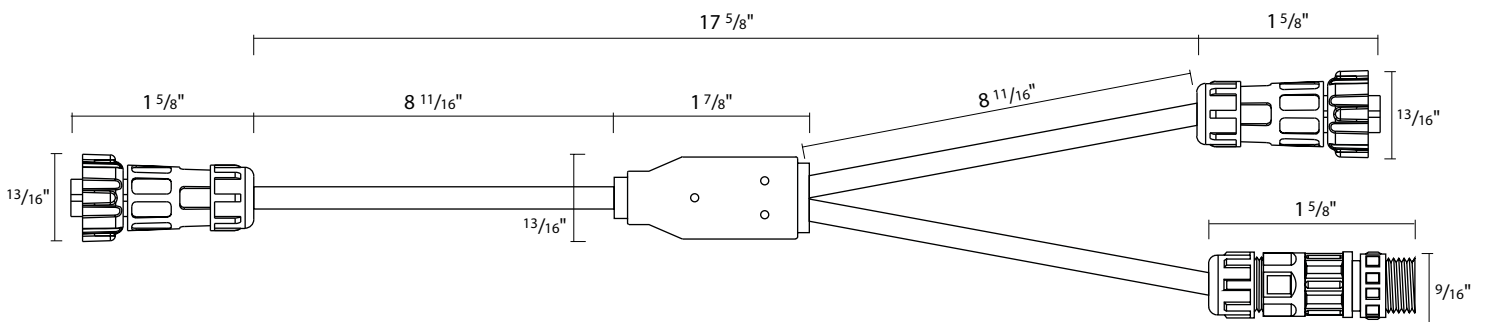
TPF3



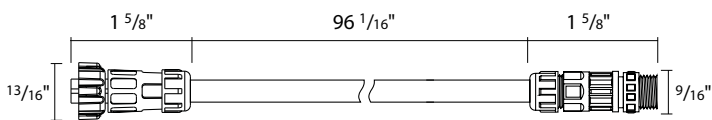
TPF5



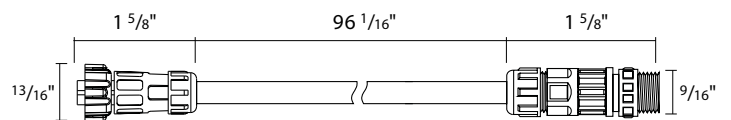
TPF5S



TPFE3



TPFE5

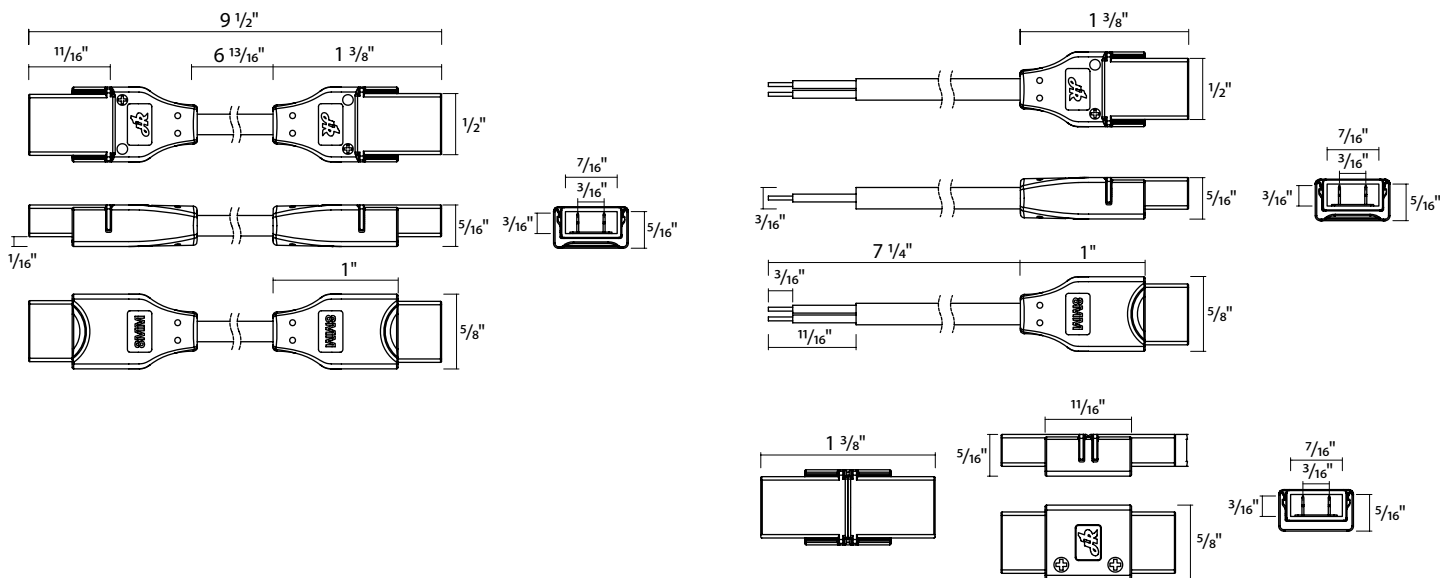


FLEXTAPE Wet Location Tape

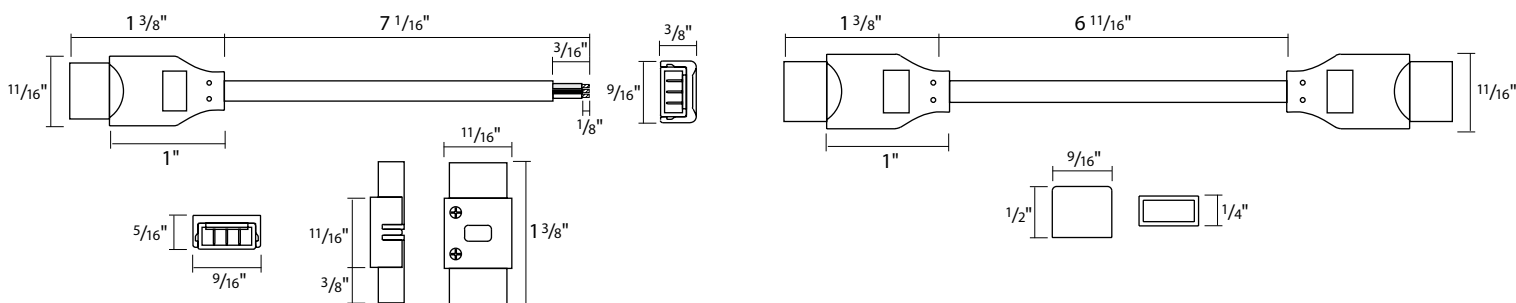


DIMENSIONS - ACCESSORIES (cont'd)

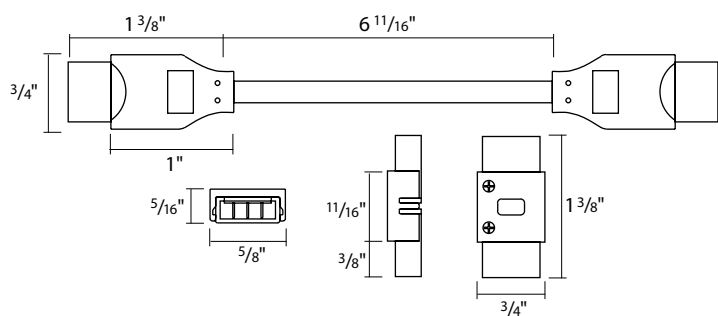
TOJ2



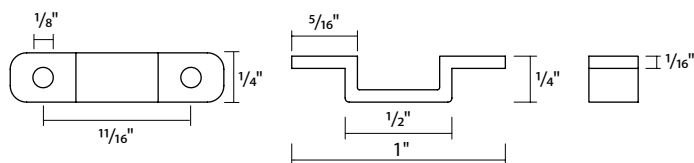
TOJ3



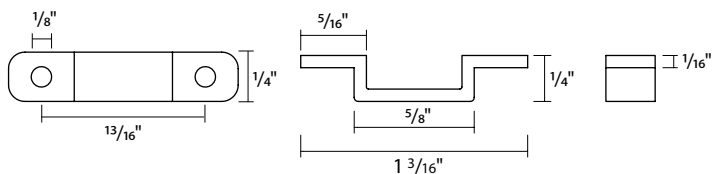
TOJ5



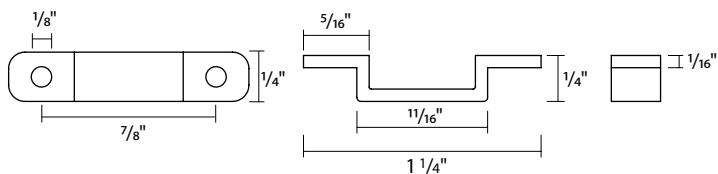
TSC2



TSC3



TSC5

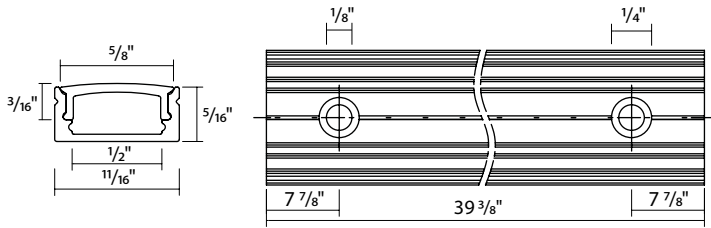


FLEXTAPE Wet Location Tape

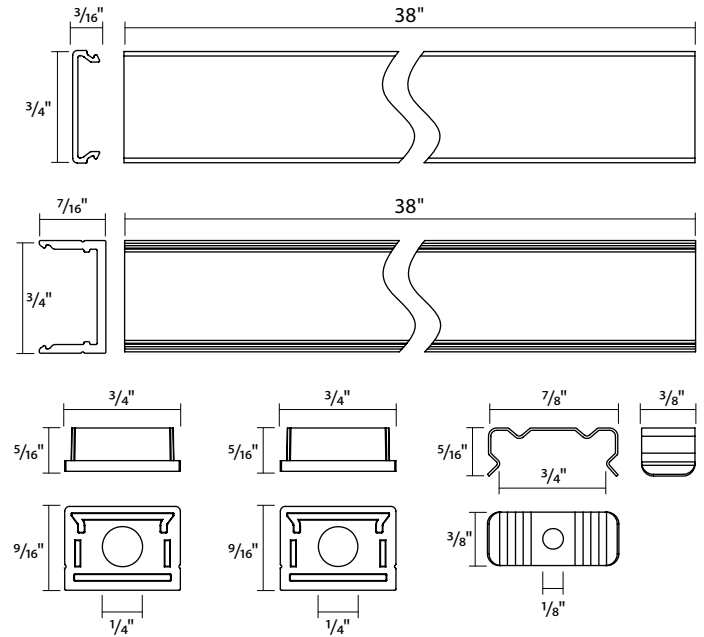


DIMENSIONS - ACCESSORIES (cont'd)

TAP12

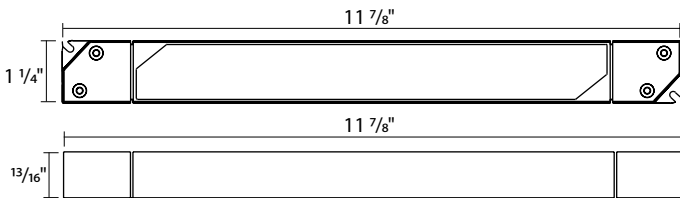


TAP15

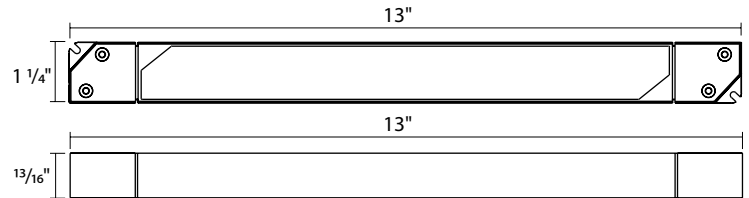


DIMENSIONS - DRIVERS

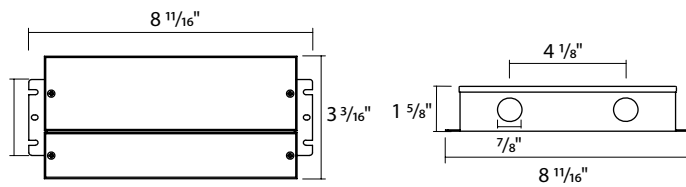
TID-60



TID-96

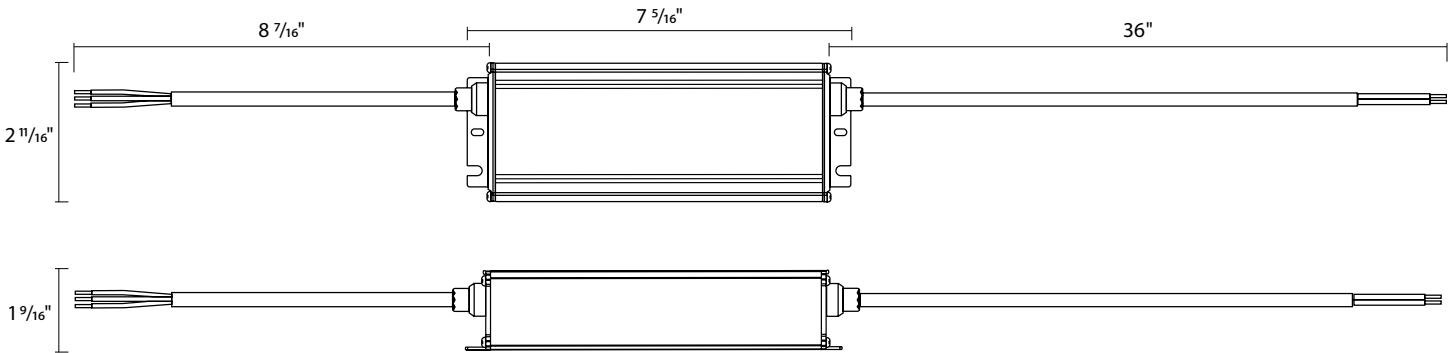


TOD-96



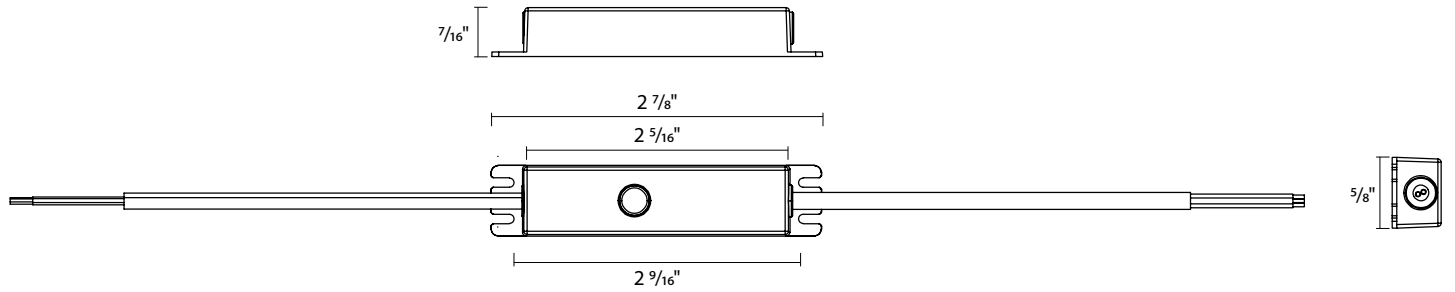
DIMENSIONS - DRIVERS (cont'd)

TND-96



DIMENSIONS - LIGHTCLOUD BLUE LOW VOLTAGE (24V) CONTROLLER

LCBLV/TW & LCBLVD/RGB



ORDERING INFO

Catalog Number	UPC	Case Pack
TOSYY	192552046657	15
TOSY	192552046664	15
TOSYN	192552059640	15
TOSN	192552046671	15
TOSCW	192552059657	15
TOSLYY	192552059664	5
TOSLY	192552059671	5
TOSLYN	192552059688	5
TOSLN	192552059695	5
TOSLCW	192552059701	5
TOSHYY	192552059718	25
TOSHY	192552059725	25
TOSHYN	192552059732	25
TOSHNL	192552059749	25
TOSHCW	192552059756	25
TOS/LCB	192552054683	15
TOS/RGB	192552054690	15

DIMMER COMPATIBILITY LIST

The following dimmers are compatible with non-Lightcloud Blue versions of this product.

Dimmer Brand	Part Number	Dimmer Brand	Part Number
LUTRON	TGCL-153P	LUTRON	DVLV-600P
	MSCL-OP153M		DVCL-153P
	STCL-153M		CTCL-153P
	MACL-153M		DV-600P
	SCL-153P		CTCL-150
	DVRF-6L	LEVITON	IPLO6
	RCL-153PNL	RAB	DSLO6
			XDIM/LCB[S]

Lightcloud Blue models are compatible with the following devices to control on/off and dimming.

Part Number	Description
ZDIM/LCB[S]	Wireless switch/dimmer 120-277V
LCBLUEREMOTE/W	Wireless battery powered remote

Visit rablighting.com for periodic updates to this list or contact us at 888-722-1000 for questions or comments.

FLEXTAPE Wet Location Tape



ORDERING MATRICES

STATIC COLOR – STANDARD OUTPUT

Family	Length	Lumen Output	CRI/Color Temperature	Input Voltage	IP Rating	Controls	
TOS							
Blank L	32 ft 100 ft	Blank Standard	YY Y YN N CW	90 CRI, 2700K 90 CRI, 3000K 90 CRI, 3500K 90 CRI, 4000K 90 CRI, 5000K	Blank 24V DC	Blank IP67, Outdoor	Blank None

STATIC COLOR – HIGH OUTPUT

Family	Length	Lumen Output	CRI/Color Temperature	Input Voltage	IP Rating	Controls	
TOS		H					
Blank	16 ft	H High-Output	YY Y YN N CW	90 CRI, 2700K 90 CRI, 3000K 90 CRI, 3500K 90 CRI, 4000K 90 CRI, 5000K	Blank 24V DC	Blank IP67, Outdoor	Blank None

TUNABLE – LIGHTCLOUD BLUE

Family	Length	Lumen Output	CRI/Color Temperature*	Input Voltage	IP Rating	Controls
TOS						
Blank	16 ft	Blank Standard	Blank 90 CRI, Tunable Color Temperature	Blank 24V DC	Blank IP67, Outdoor	/LCB /RGB Lightcloud Blue 16+ Million Colors w/ Lightcloud Blue

*/LCB is tunable white 2700-6500K using Lightcloud Blue

/RGB is tunable white 2200-3000K and 16+ million colors using Lightcloud Blue