



PROJECT: \_\_\_\_\_

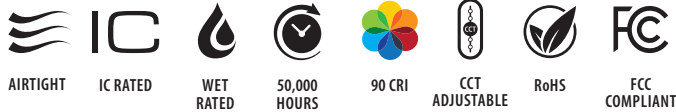
DATE: \_\_\_\_\_

TYPE: \_\_\_\_\_

PREPARED BY: \_\_\_\_\_



## 5 CCT Adjustable, Small-Aperature Downlights & Gimbals



### KEY FEATURES

- High-end trimless design
- 5 Field-adjustable CCT
- Deep regress, remote driver downlight
- No recessed housing or J box required
- 120V TRIAC dimmable driver included

### PERFORMANCE

Catalog Number	Type	Trim	Size	Equivalency	Input Wattage	Lumens	Efficacy	Dim Type	Input Voltage	Beam Angle	Color Temperature	CRI	L70 Lifespan	Energy Star ID
GR2TL	Gimbal	Smooth	2"	40W Incandescent	6W	400 lm	67 lm/W	TRIAC/ELV	120V	38°±5°	Field-Adjustable via dip switch 2700/3000/3500/4000/5000K	90*	50,000	n/a
GR3TL			3"	60W Incandescent	9W	600 lm	67 lm/W							3417555
GR4TL			4"	90W Incandescent	15W	1,000 lm	67 lm/W							3417556
R2TL	Recessed	Smooth	2"	60W Incandescent	9W	550 lm	61 lm/W							n/a
R3TL			3"	90W Incandescent	15W	1,000 lm	67 lm/W							3417557
R4TL			4"	125W Incandescent	20W	1,600 lm	80 lm/W							3417558

## PERFORMANCE (CONT.)

### 2" Gimbal Recessed

Catalog Number	Wattage	CCT	Efficacy	Lumens	Equivalency Wattage
GR2TL	8W	2700K	67 lm/W	403 lm	40W Incandescent
		3000K	75 lm/W	443 lm	
		3500K	81 lm/W	468 lm	
		4000K	82 lm/W	479 lm	
		5000K	78 lm/W	472 lm	

### 3" Gimbal Recessed

Catalog Number	Wattage	CCT	Efficacy	Lumens	Equivalency Wattage
GR3TL	9W	2700K	81 lm/W	701 lm	60W Incandescent
		3000K	86 lm/W	734 lm	
		3500K	95 lm/W	796 lm	
		4000K	97 lm/W	817 lm	
		5000K	97 lm/W	833 lm	

### 4" Gimbal Recessed

Catalog Number	Wattage	CCT	Efficacy	Lumens	Equivalency Wattage
GR4TL	15W	2700K	79 lm/W	1,138 lm	90W Incandescent
		3000K	87 lm/W	1,227 lm	
		3500K	95 lm/W	1,302 lm	
		4000K	98 lm/W	1,353 lm	
		5000K	93 lm/W	1,336 lm	

## PERFORMANCE (CONT.)

### 2" Recessed

Catalog Number	Wattage	CCT	Efficacy	Lumens	Equivalency Wattage
R2TL	9W	2700K	63 lm/W	564 lm	60W Incandescent
		3000K	69 lm/W	608 lm	
		3500K	78 lm/W	658 lm	
		4000K	79 lm/W	679 lm	
		5000K	73 lm/W	658 lm	

### 3" Recessed

Catalog Number	Wattage	CCT	Efficacy	Lumens	Equivalency Wattage
R3TL	15W	2700K	78 lm/W	1,133 lm	90W Incandescent
		3000K	87 lm/W	1,233 lm	
		3500K	94 lm/W	1,302 lm	
		4000K	98 lm/W	1,354 lm	
		5000K	93 lm/W	1,352 lm	

### 4" Recessed

Catalog Number	Wattage	CCT	Efficacy	Lumens	Equivalency Wattage
R4TL	20W	2700K	89 lm/W	1,767 lm	125W Incandescent
		3000K	96 lm/W	1,876 lm	
		3500K	104 lm/W	1,995 lm	
		4000K	105 lm/W	2,050 lm	
		5000K	101 lm/W	2,049 lm	

## TECHNICAL SPECIFICATIONS

### CONSTRUCTION

**Product Type**

Trimless

**Size**

4" and 6"

**Shape**

Round

**Trim Style**

Smooth

**Enclosure Material**

Metal

**Finish**

White

**Lens Finish**

Polycarbonate light diffuser distributes light evenly and smoothly for general lighting applications

### INSTALLATION

**Remote Driver/Junction Box**

Die-formed metal driver & junction box with captive hinged junction box cover. Listed for Maximum of (2) 12AWG through branch circuit conductor suitable for 90° C permitted in box. Easy to wire in 1in/1out (plus ground) applications. (4) conduit pry-outs. (3) quick snap-in connectors for quick and reliable line voltage connections. Integral mounting facilitates direct mounting to building structure or mounting frame.

**Mounting**

Recessed mounting, not for use inside downlight housings

### ELECTRICAL

**Driver**

Constant Current, Class 2, 60 Hz

**THD**

<=25%

**Input Voltage**

120V

**Power Factor**

≥0.9

**Operating Frequency**

60 Hz

**Flicker**

≤30%

**Operating Temperature**

-13°F to 104°F (-25°C to 40°C)

### LED CHARACTERISTICS

**Beam Angle**

38°±5°

**Color Temperature**

Field adjustable via dip switch 2700K/3000K/3500K/4000K/5000K

**Color Accuracy (CRI)**

>90

**R9 Value**

High color performance with R9 greater than 50

**Color Consistency**

<4-step MacAdam Ellipse binning to achieve consistent fixture-to-fixture color

**Color Stability**

LED color temperature is warranted to shift no more than 200K in color temperature over a 5-year period

**Color Uniformity**

RAB's range of Correlated Color Temperature follows the guidelines of the American National Standard for Specifications for the Chromaticity of Solid State Lighting (SSL) Products, ANSI C78.377-2017.

### COMPLIANCE

**ETL Listed**

This product has been tested by Intertek and found in compliance with accepted national standards..

**Environment**

Suitable for use indoors and outdoors in dry, damp, or wet environments.

**IC Rated**

Suitable for direct contact with insulation.

Type IC inherently protected, suitable for direct contact to air permeable insulation and cULus listed for damp locations. Not for use in direct contact with spray foam insulation, consult NEMA LSD57-2013.

**Air Tight**

Housing certified Air Tight as per ASTM E283

**Energy Star Approved\***

This product is ENERGY STAR® Version 2.2 Certified

**DLC Listed**

No

**California Title 20 Compliant**

No

**California Title 24 JA8 Compliant**

Can be used to conform with the requirements of California Title 24 Part 6.

**California Energy Commission (CEC) Status**

Lawful for Sales in California

**NEC Compliant**

Suitable for use in closets. Compliant with NEC Sec. 410.16 (A)(1) and 410.16 (C3).

**IESNA LM-79 & LM80 Testing**

RAB LED luminaires and LED components have been tested by an independent laboratory in accordance with IESNA LM-79 and LM-80.

**RoHS**

Mercury and UV free. RoHS-compliant components

**FCC**

Complies with Part 15 of the FCC Rules

### OTHER

**Warranty**

RAB warrants that our LED products will be free from defects in materials and workmanship for a period of five (5) years from the date of delivery to the end user, including coverage of light output, color stability, driver performance and fixture finish.

RAB's warranty is subject to all terms and conditions found at [rablighting.com/warranty](http://rablighting.com/warranty).

**Note**

All values are typical (tolerance +/- 10%)

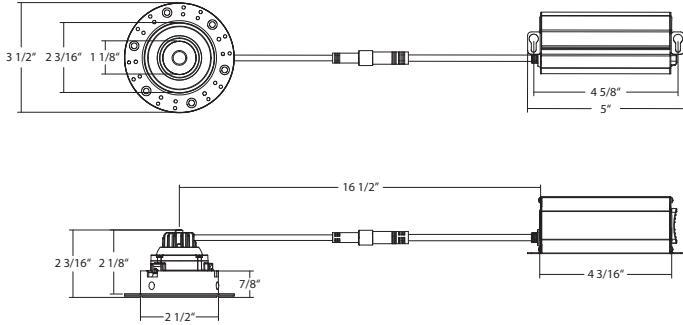
# Trimless Downlights



## DIMENSIONS

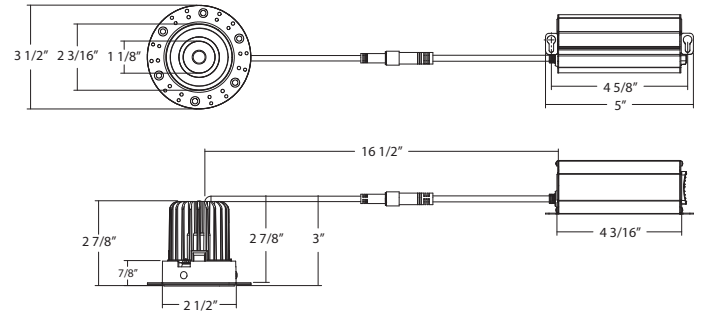
### 2" Gimbal Recessed

Weight: 0.60 lbs



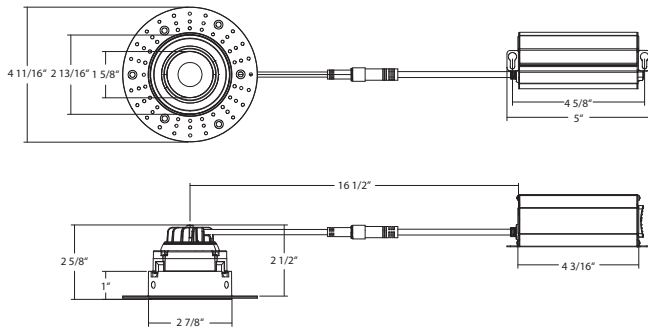
### 2" Recessed - 8W

Weight: 0.80 lbs



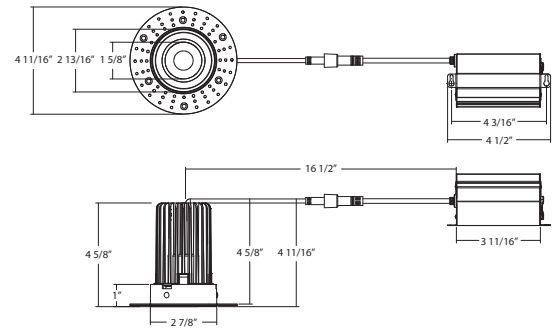
### 3" Gimbal Recessed

Weight: 0.80 lbs



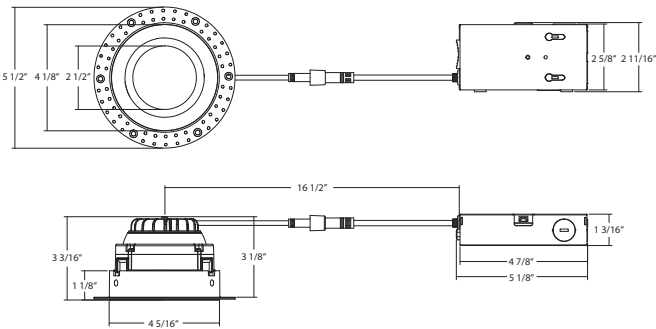
### 3" Recessed

Weight: 1.40 lbs



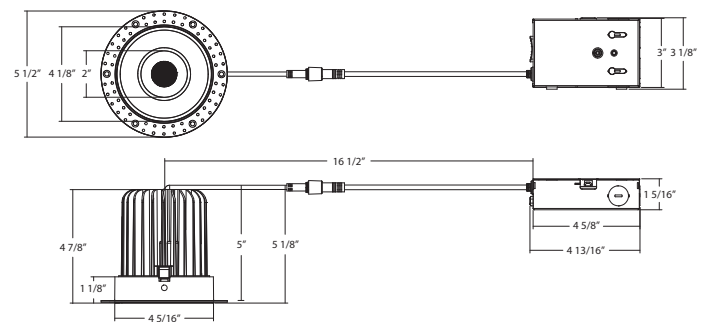
### 4" Gimbal Recessed

Weight: 1.70 lbs



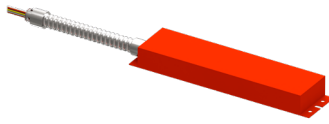
### 4" Recessed

Weight: 2.40 lbs



## OPTIONAL ACCESSORIES

### Emergency Backup Driver



Catalog Number	UPC	Description
DRI-21-EMGR-DC-D10	192552028264	Emergency driver T20

## ORDERING INFO

Catalog Number	Model Number	UPC	Case Pack
GR2TL	DLG0019(GR2TL)	192552033879	12
GR3TL	DLG0023(GR3TL)	192552033916	12
GR4TL	DLG0027(GR4TL)	192552033954	6
R2TL	DLR0141(R2TL)	192552033756	12
R3TL	DLR0145(R3TL)	192552033794	12
R4TL	DLR0149(R4TL)	192552033831	6

## ORDERING MATRIX

Family	Size/Wattage	Shape	CRI/Color Temp	Voltage/Dimming	Finish	Trim	
						TL	
R	Recessed	2 2", 9W 3 3", 15W 4 4", 20W	Blank Round	Blank	90 CRI; 2700/3000/3500/4000/5000K	Blank 120V; TRIAC/ELV	Blank White TL Trimless
GR	Gimbal Recessed	2 2", 6W 3 3", 9W 4 4", 15W					