

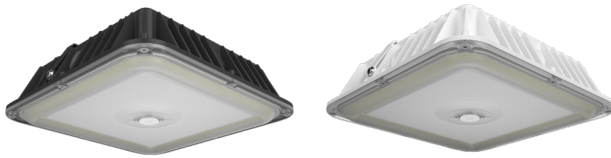
VAN17, 3-Way Adjustable Canopy Light



VAN17 (8" x 8")



VAN17 (10" x 10")



3-Way adjustable, ultra-economy canopy light

IP65

IP RATING



FIELD
ADJUSTABLE



0-10V
DIMMABLE



VANDAL
RESISTANT



HE
HIGH
EFFICACY



50,000
HRS



WET
RATED

PROJECT:

DATE:

TYPE:

PREPARED BY:



KEY FEATURES

- 3-way adjustable, high-efficacy, low profile canopy light
- 18 fixtures in 1
- Field-adjustable CCT (3000K/4000K/5000K)
- Available sizes / wattages:
 - VAN17-30 (8" x 8"): 30/25/20W
 - VAN17-50 (8" x 8"): 50/40/30W
 - VAN17-60 (10" x 10"): 60/50/40W
 - VAN17-90 (10" x 10"): 90/80/70W
- Built-in on/off photocell
- Screw-in sensor accessories offered
- Integrated expansion port for use with motion sensors or lightcloud blue
- Impact-resistant, vandal-resistant
- Ideal for canopy applications
- Suitable for parking garages
- Battery backup option available
- 0-10V dimming standard
- UL listed for wet locations
- 5-year, limited warranty

TECHNICAL SPECIFICATIONS

COMPLIANCE

UL Listed

UL listed for wet locations

IP Rating

IP65 rated

PERFORMANCE

Lifespan

50,000-hour LED lifespan based on IES LM-80 results and TM-21 calculations

LED CHARACTERISTICS

LEDs

Long-life, high-efficacy, surface-mount LEDs

FIELD ADJUSTABLE

Color temperature: Selectable by 3000K, 4000K and 5000K (factory default 4000K)

Selectable wattages:

VAN17-30 (8" x 8"): 30/25/20W (factory default: 30W)

VAN17-50 (8" x 8"): 50/40/30W (factory default: 50W)

VAN17-60 (10" x 10"): 60/50/40W (factory default: 60W)

VAN17-90 (10" x 10"): 90/80/70W (factory default: 90W)

On/Off Photocell: Factory default: Off

CONSTRUCTION

Cold Weather starting

Minimum starting temperature is -40°C (-40°F)

Maximum Ambient Temperature

Suitable for use in up to 50°C (122°F)

Cold Weather starting for Battery Backup

Minimum starting temperature is 0°C (32°F)

Maximum Ambient Temperature for Battery Backup

Suitable for use in up to 40°C (104°F)

Housing

Precision die-cast aluminum housing and door frame

Mounting

Retrofit mounting plates for ceiling mounting

Lens

Vandal-resistant polycarbonate textured opaque for low-glare lens

Reflector

Plastic

Green Technology

Mercury and UV free. RoHs-compliant components.

Finish

Formulated for high durability and long lasting color

VAN17, 3-Way Adjustable Canopy Light



TECHNICAL SPECIFICATIONS

ELECTRICAL

Drivers:

Constant Current, Class 2, 120-277V, 50/60 Hz

VAN17-30:

30W: 120V: 0.25A, 208V: 0.15A, 240V: 0.13A, 277V: 0.10A

25W: 120V: 0.21A, 208V: 0.12A, 240V: 0.10A, 277V: 0.09A

20W: 120V: 0.17A, 208V: 0.10A, 240V: 0.08A, 277V: 0.07A

VAN17-50:

50W: 120V: 0.42A, 208V: 0.25A, 240V: 0.21A, 277V: 0.18A

40W: 120V: 0.33A, 208V: 0.19A, 240V: 0.17A, 277V: 0.14A

30W: 120V: 0.25A, 208V: 0.14A, 240V: 0.13A, 277V: 0.11A

VAN17-60:

60W: 120V: 0.50A, 208V: 0.29A, 240V: 0.25A, 277V: 0.22A

50W: 120V: 0.42A, 208V: 0.24A, 240V: 0.20A, 277V: 0.18A

40W: 120V: 0.33A, 208V: 0.19A, 240V: 0.17A, 277V: 0.14A

VAN17-90:

90W: 120V: 0.75A, 208V: 0.43A, 240V: 0.38A, 277V: 0.32A

80W: 120V: 0.67A, 208V: 0.38A, 240V: 0.33A, 277V: 0.29A

70W: 120V: 0.58A, 208V: 0.34A, 240V: 0.29A, 277V: 0.25A

Dimming Driver:

Driver includes dimming control wiring for 0-10V dimming systems. Requires separate 0-10V DC dimming circuit. Dims down to 10%.

Battery Backup:

Battery backup will operate the fixture 90 minutes if power fails. Wired for 120-277V

Photocell

120-277V compatible, Integrated Button Photocell included.

Note

All values are typical (tolerance +/- 10%)

OTHER

Warranty

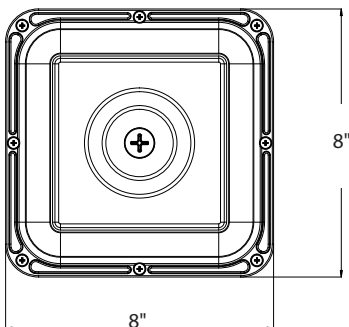
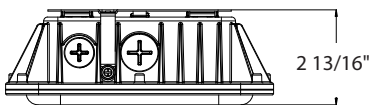
The RAB 5-year, limited warranty covers light output, driver performance and paint finish. RAB's warranty is subject to all terms and conditions found at rablighting.com/warranty.

DIMENSIONS

VAN17-30 & VAN17-50

Weights: 2.98 lbs

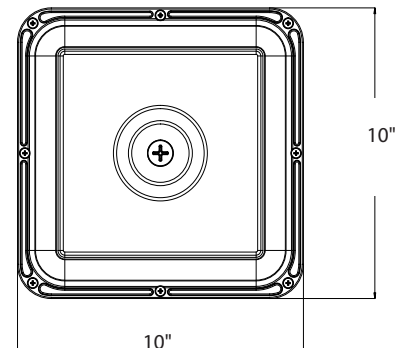
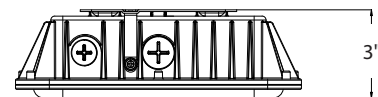
3.70 lbs w/ battery backup



VAN17-60 & VAN17-90

Weights: 4.25 lbs







9.37 lbs w/ battery backup



VAN17, 3-Way Adjustable Canopy Light



ACCESSORIES

IMAGE	SKU#	UPC	DESCRIPTION
	VAN17PLATE	192552032575	RETROPLATE FOR VAN17 MOUNTING BRONZE
	VAN17PLATE-W	192552032568	RETROPLATE FOR VAN17 MOUNTING WHITE
	MVS20	192552026017	MVS SENSOR MAX 6M HEIGHT IP65
	PIR20	192552026024	PIR SENSOR MAX 6M HEIGHT IP65
	MSR1	192552026055	MULTI SENSOR REMOTE
	MVS50/LCB	192552014168	LC BLUE CONTROLLER WITH INTEGRATED MVS SENSOR
	PIR40/LCB	192552014151	LC BLUE CONTROLLER WITH INTEGRATED PIR SENSOR

PERFORMANCE

VAN17: 8" x 8"

VAN17-30	3000K	4000K	5000K	3000K	4000K	5000K	3000K	4000K	5000K
WATTAGE	30W			25W			20W		
INPUT WATTS	29.9W	28.9W	29.9W	25.3W	24.6W	25.3W	20.5W	20W	20.5W
LUMENS	4,181	4,392	4,475	3,515	3,676	3,762	2,859	2,960	3,059
EFFICACY	139.8	152.0	149.7	138.9	149.4	148.7	139.5	148.0	149.2
CRI	82	83	81	82	83	81	82	84	81
VOLTAGE RATINGS	120-277V			120-277V			120-277V		

VAN17-50	3000K	4000K	5000K	3000K	4000K	5000K	3000K	4000K	5000K
WATTAGE	50W			40W			30W		
INPUT WATTS	48.3W	46.3W	48.1W	39.3W	38W	39.2W	29W	28.4W	28.9W
LUMENS	6,665	7,075	7,009	5,493	5,840	5,826	4,169	4,393	4,411
EFFICACY	138.0	152.8	145.7	139.8	153.7	148.6	143.8	154.7	152.6
CRI	82	83	81	82	84	81	82	84	81
VOLTAGE RATINGS	120-277V			120-277V			120-277V		

VAN17, 3-Way Adjustable Canopy Light



PERFORMANCE

VAN17: 10" x 10"

VAN17-60	3000K	4000K	5000K	3000K	4000K	5000K	3000K	4000K	5000K
WATTAGE	60W			50W			40W		
INPUT WATTS	58.7W	56.1W	58.4W	48.7W	46.9W	48.5W	39.3W	38.1W	39.2W
LUMENS	7,944	8,520	8,355	6,748	7,223	7,151	5,550	5,879	5,902
EFFICACY	135.3	151.9	143.1	138.6	154.0	147.4	141.2	154.3	150.6
CRI	81	84	81	82	84	81	82	84	81
VOLTAGE RATINGS	120-277V			120-277V			120-277V		

VAN17-90	3000K	4000K	5000K	3000K	4000K	5000K	3000K	4000K	5000K
WATTAGE	90W			80W			70W		
INPUT WATTS	88.7W	85.9W	88.6W	79.4W	77.1W	79.3W	69.9W	68.2W	69.8W
LUMENS	11,888	13,025	12,611	10,795	11,837	11,520	9,704	10,587	10,371
EFFICACY	134.0	151.6	142.3	136.0	153.5	145.3	138.8	155.2	148.6
CRI	82	84	81	82	84	81	82	84	81
VOLTAGE RATINGS	120-277V			120-277V			120-277V		

ORDERING MATRIX

VAN17

Family	Wattage/Size	Color Temperature	Finish	Voltage	Options
VAN17	-				
	30 30/25/20W (8" x 8")	BLANK 3000/4000/5000K	BLANK Bonze W White	BLANK 120-277V, 0-10V Dimming, On/Off Photocell	BLANK Standard /E Battery Backup
	50 50/40/30W (8" x 8")				
	60 60/50/40W (10" x 10")				
	90 90/80/70W (10" x 10")				