

# WPX Premium Wall Packs



WPX1



WPX2



WPX3



Field-adjustable wall packs



IP RATING



FIELD ADJUSTABLE



0-10V



100,000 HRS



WET RATED

PROJECT: \_\_\_\_\_

DATE: \_\_\_\_\_

TYPE: \_\_\_\_\_

PREPARED BY: \_\_\_\_\_



## KEY FEATURES

- Premium wall pack available in three different sizes and selectable wattages:  
WPX1: 30/20/15W  
WPX2: 80/60/40W  
WPX3: 130/100/65W
- CCT Adjustable: 3000/4000/5000K
- Selectable on/off photocell
- 120-277V & 480V
- 0-10V dimming standard
- Battery backup available for 120-277V models
- Available with smart controls. Multi-sensor remote sold separately

## TECHNICAL SPECIFICATIONS

### COMPLIANCE

#### UL Listed

Suitable for wet location

#### DLC Listed

This product is listed by Design Lights Consortium (DLC) as an ultra-efficient premium product that qualifies for the highest tier of rebates from DLC Member Utilities. Designed to meet DLC 5.1 requirements.

MODEL#	DLC ID
WPX1	S-MW1VZF
WPX2	S-QGK4HV
WPX3	S-10CCLB
WPX2/480	S-CK3MPC
WPX3/480	S-NQRGMQ

### LED CHARACTERISTICS

#### LEDS

Long-life, high-efficacy, surface-mount LEDs

### CONSTRUCTION

#### IP Rating

Ingress protection rating of IP65 for dust and water

#### Cold Weather Starting

Minimum starting temperature is -40°C (-40°F)

#### Maximum Ambient Temperature

Suitable for use in up to 40°C (104°F)

#### Cold Weather Starting Temperature for Battery Backup

Minimum starting temperature is 1°C (33.8°F)

#### Maximum Ambient Temperature for Battery Backup

Suitable for use in up to 60°C (140°F)

#### Housing

Precision die-cast aluminum housing and door frame

#### Mounting

Hinged wiring access and conduit entries on the back sides, top and bottom make installation a snap

#### Lens

Borosilicate glass

#### Gasket

High-temperature silicone gasket

#### Reflector

Aluminum

#### Green Technology

Mercury and UV free. RoHS-compliant components.

#### Finish

Formulated for high durability and long lasting color

## TECHNICAL SPECIFICATIONS

### ELECTRICAL

#### Drivers:

##### Constant Current, Class 2, 120-277V, 50/60 Hz

**WPX1-30W:** 0.28A at 120V, 0.14A at 208V, 0.13A at 240V, 0.12A at 277V

**WPX1-20W:** 0.22A at 120V, 0.10A at 208V, 0.8A at 240V, 0.7A at 277V

**WPX1-15W:** 0.14A at 120V, 0.7A at 208V, 0.6A at 240V, 0.5A at 277V

**WPX2-80W:** 0.66A at 120V, 0.39A at 208V, 0.33A at 240V, 0.30A at 277V

**WPX2-60W:** 0.48A at 120V, 0.29A at 208V, 0.25A at 240V, 0.23A at 277V

**WPX2-40W:** 0.34A at 120V, 0.19A at 208V, 0.17A at 240V, 0.16A at 277V

##### Constant Current, Class 1, 120-277V, 50/60 Hz

**WPX3-130W:** 1.10A at 120V, 0.63A at 208V, 0.55A at 240V, 0.48A at 277V

**WPX3-100W:** 0.84A at 120V, 0.48A at 208V, 0.42A at 240V, 0.37A at 277V

**WPX3-65W:** 0.55A at 120V, 0.32A at 208V, 0.27A at 240V, 0.26A at 277V

##### Constant Current, Class 2, 480V, 50/60 Hz

**WPX2-80W:** 0.18A at 480V

**WPX2-60W:** 0.14A at 480V

**WPX2-40W:** 0.11A at 480V

##### Constant Current, Class 1, 480V, 50/60 Hz

**WPX3-130W:** 0.30A at 480V

**WPX3-100W:** 0.25A at 480V

**WPX3-65W:** 0.18A at 480V

#### THD

**WPX1-30W:** 2.8% at 120V, 20.6% at 277V

**WPX1-20W:** 3.2% at 120V, 11.9% at 277V

**WPX1-15W:** 5.1% at 120V, 9.3% at 277V

**WPX2-80W:** 2.5% at 120V, 3% at 277V

**WPX2-60W:** 2% at 120V, 12% at 277V

**WPX2-40W:** 2% at 120V, 3.7% at 277V

**WPX2-80W:** 7.2% at 480V

**WPX2-60W:** 10.6% at 480V

**WPX2-40W:** 16.1% at 480V

**WPX3-130W:** 4.1% at 120V, 7.2% at 277V

**WPX3-100W:** 4.4% at 120V, 8.9% at 277V

**WPX3-65W:** 5.1% at 120V, 12.2% at 277V

**WPX3-130W:** 13.3% at 480V

**WPX3-100W:** 14.6% at 480V

**WPX3-65W:** 17.9% at 480V

#### Dimming Driver:

Driver includes dimming control wiring for 0-10V dimming systems. Requires separate 0-10V DC dimming circuit. Dims down to 10%.

### ELECTRICAL

#### Power Factor

**WPX1-30W:** 99.7% at 120V, 93.5% at 277V

**WPX1-20W:** 99.6% at 120V, 90.2% at 277V

**WPX1-15W:** 98.9% at 120V, 81.6% at 277V

**WPX2-80W:** 99.7% at 120V, 95% at 277V

**WPX2-60W:** 99.6% at 120V, 91% at 277V

**WPX2-40W:** 99.2% at 120V, 84.8% at 277V

**WPX2-80W:** 91.3% at 480V

**WPX2-60W:** 85.8% at 480V

**WPX2-40W:** 78.2% at 480V

**WPX3-130W:** 99.8% at 120V, 95.9% at 277V

**WPX3-100W:** 99.7% at 120V, 93.7% at 277V

**WPX3-65W:** 99.3% at 120V, 87% at 277V

**WPX3-130W:** 90% at 480V

**WPX3-100W:** 87% at 480V

**WPX3-65W:** 79.9% at 480V

#### Photocell

Selectable On/Off Photocell included

#### Emergency Light Loss Factor

**WPX2:** 0.08

**WPX3:** 0.073

#### Surge Protection

**WPX1/WPX2:** 4/4kV

**WPX3:** 6/6kV

#### Note

All values are typical (tolerance +/- 10%)

### FIELD ADJUSTABLE

**Adjustable CCT:** 3000K/4000K/5000K (factory default 4000K)

#### Selectable Wattage:

**WPX1:** 30W/20W/15W (factory default 30W)

**WPX2:** 80W/60W/40W (factory default 80W)

**WPX3:** 130W/100W/65W (factory default 130W)

## TECHNICAL SPECIFICATIONS (CONTINUED)

### LIGHTCLOUD (OPTIONAL)

#### Lightcloud Controller Installed:

- Integrated/embedded networked lighting control
  - Luminaire-level lighting control
  - Fixture, Zone, and plug-load control from one powerful device
  - LLLC - Capable of switching, 0-10V dimming, power/energy monitoring
  - Can also be used to extend the range of Lightcloud
  - Mesh network communication protocols
  - Offers the capability to set the maximum light output to a less-than-maximum state of an individual luminaire at the time of installation or commissioning. The High-End Trim functionality is field reconfigurable via the Lightcloud mesh network communication protocols.
  - The Lightcloud Controller can be attached to the fixture, junction box, or electrical panel
  - DLC system - N1XMLOEATBA
  - Communication Protocol: Zigbee
  - Line of Sight: 1,000 feet
- Obstructions: 100 feet

#### Lightcloud Blue Installed

Lightcloud Blue is a Bluetooth Mesh wireless lighting control system that allows you to control RAB's various compatible devices. With RAB's patent-pending Rapid Provisioning technology, devices can be quickly and easily commissioned for residential and large commercial applications using the Lightcloud Blue mobile app. Each device in a system can communicate with any other device, eliminating the need for a Gateway or Hub and maximizing the control system's reach.

DLC system - N1XMLOEATBA

Learn more at [www.Lightcloud.com](http://www.Lightcloud.com)"

Gateway Required: No

Communication Protocol:

Bluetooth Mesh

Range:

Up to 60 feet between standard building materials

Up to 200 feet clear line of sight

Spacing Criteria

Lightcloud Blue devices should be placed within the specified range to communicate within the Bluetooth Mesh network.

Factory Reset :

To reset the device to factory settings and into pairing mode locate the device identification button at the top of the Controller under the Lightcloud logo. Press and hold this button for 10s or until the indicator light begins flashing red. If the Controller is attached to a fixture, the fixture will also flash on/off 5x.

### MICROWAVE OCCUPANCY SENSOR (OPTIONAL)

- 12VDC Input, IC Solution
- On/off control
- Operating Voltage: 10-15V
- Detection Area: 25%/50%/75%/100%
- Microwave Frequency: 5.8GHz ± 75MHz
- Hold Time: 5 sec/30 sec/1 min/10 min/20 min/30 min
- Microwave Power: <0.3mW
- Switching Capacity: <40mA
- Daylight Threshold: 2Lux/10Lux/30Lux/50Lux/80Lux/120Lux/Disable
- Mounting Height: 2.5 - 4.5 m/8.2 - 14.76 ft
- Operating Current: < 30mA
- Stand-by Period: 0 sec/10 sec/30 sec/1 min/5 min/10 min/+∞
- Detection Range: 3 - 7 m/ 9.84 - 22.96 Ft
- Control Method: 0-10V
- Stand-by Dimming Level: 10%/20%/30%/50%
- Detection Angle: 360° (Ceiling Mounted)
- Operating Temperature: -35°C to 70°C

#### Factory Default Setting:

- Detection area 100%
- Hold time 5sec
- Daylight threshold Disable
- Stand-by period 0 sec
- Stand-by dimming level 10%.

### PERFORMANCE

#### Lifespan

100,000-hour LED lifespan based on IES LM-80 results and TM-21 calculations

### OTHER

#### Warranty

The RAB 10-year, no-compromise warranty covers light output, color stability, driver performance, paint finish and labor. RAB's warranty is subject to all terms and conditions found at [rablighting.com/warranty](http://rablighting.com/warranty).

#### Buy American Act Compliance:

RAB values USA manufacturing! Upon request, RAB may be able to manufacture this product to be compliant with the BUY American Act (BAA). Please contact customer service to request a quote for the product to be made BAA compliant.

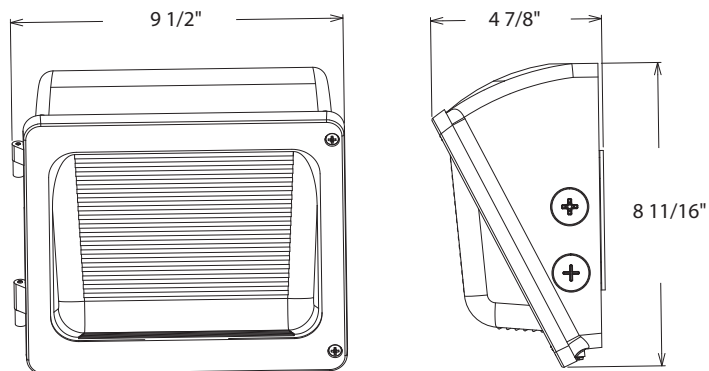
# WPX Premium Wall Packs



## DIMENSIONS

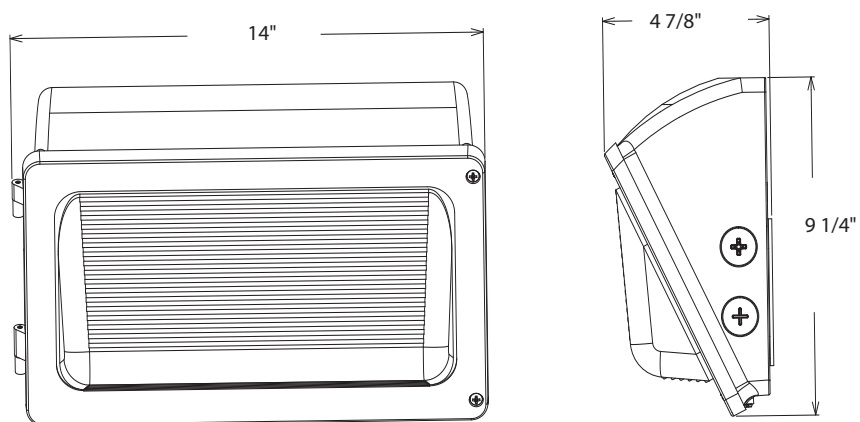
### WPX1

Weight:



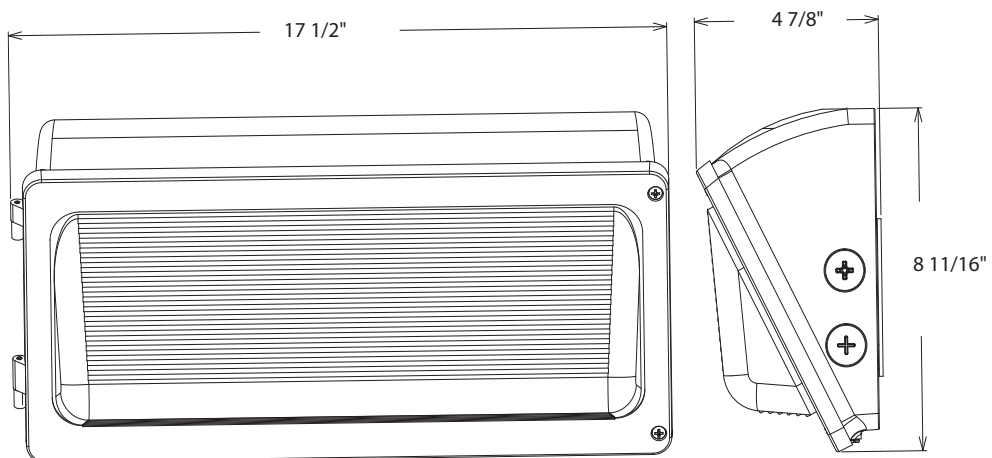
### WPX2

Weight:



### WPX3

Weight:



# WPX Premium Wall Packs



PERFORMANCE									
WPX1 (30/20/15W)	3000K	4000K	5000K	3000K	4000K	5000K	3000K	4000K	5000K
Wattage	30W			20W			15W		
Input Watts	33.2W	32.4W	33.3W	26.5W	26W	26.6W	17.9W	17.7W	17.9W
Lumens	4,470	4,739	4,619	3,648	3,818	3,764	2,497	2,575	2,562
Efficacy	134.6	146.3	138.7	137.7	146.8	141.5	1389.5	145.5	143.1
CRI	82	84	82	82	84	82	82	84	83
Voltage Ratings	120-277V								
WPX2 (80/60/40W)	3000K	4000K	5000K	3000K	4000K	5000K	3000K	4000K	5000K
Wattage	80W			60W			40W		
Input Watts	79W	76.6W	79.3W	57.5W	56W	57.8W	40W	39.3W	40.1W
Lumens	10,592	11,353	11,042	8,052	8,463	8,386	5,789	5,996	5,982
Efficacy	134.1	148.2	139.2	140	151.1	145.1	144.7	152.6	149.2
CRI	82	84	83	82	84	83	83	84	83
Voltage Ratings	120-277V								
WPX2 (80/60/40W)	3000K	4000K	5000K	3000K	4000K	5000K	3000K	4000K	5000K
Wattage	80W			60W			40W		
Input Watts	79.8W	77.2W	80.1W	59.2W	57.6W	59.4W	42.5W	41.6W	42.6W
Lumens	10,744	11,465	11,183	8,248	8,639	8,553	6,033	6,238	6,227
Efficacy	134.6	148.5	139.6	139.3	150	144	142	150	146.2
CRI	82	84	83	82	84	83	83	84	83
Voltage Ratings	480V								
WPX3 (130/100/65W)	3000K	4000K	5000K	3000K	4000K	5000K	3000K	4000K	5000K
Wattage	130W			100W			65W		
Input Watts	131.2W	126.1W	19.6W	100.2W	97W	99.2W	65.8W	64.2W	65.2W
Lumens	17,057	18,635	18,047	13,753	14,761	14,468	9,509	10,042	10,026
Efficacy	130	147.8	139.3	137.3	152.2	145.8	144.5	156.4	153.8
CRI	83	86	85	83	86	85	8/3	86	85
Voltage Ratings	120-277V								
WPX3 (130/100/65W)	3000K	4000K	5000K	3000K	4000K	5000K	3000K	4000K	5000K
Wattage	130W			100W			65W		
Input Watts	130.7W	125.6W	129.2W	102.8W	99.4W	101.7W	69.5W	68W	69W
Lumens	17,215	18,809	18,234	14,082	15,111	14,816	9,946	10,415	10,384
Efficacy	131.7	149.8	141.1	137	152	145.7	143.1	153.2	150.5
CRI	82	86	85	83	86	85	83	86	85
Voltage Ratings	480V								

# WPX Premium Wall Packs



## ORDERING MATRIX

### WPX

Family	Wattage	Color Temperature	Finish	Voltage	Options
<b>WPX</b>					
1	30/20/15W	<b>BLANK</b> 3000/4000/5000K	<b>BLANK</b> Bronze	<b>BLANK</b> 120-277V,	<b>BLANK</b> Selectable On/Off Photocell
2	80/60/40W	CCT Adjustable	<b>W</b> White	0-10V Dimming	<b>/MVS</b> Microwave Occupancy Sensor
3	130/100/65W			<b>/480</b> <sup>1</sup> 480V, 0-10V Dimming	<b>/LCB</b> <sup>2</sup> Lightcloud Blue Enabled <b>/LC</b> Lightcloud Controller <b>/E</b> <sup>3</sup> Battery Backup <b>/MVS/E</b> <sup>3</sup> Microwave Occupancy Sensor w/Battery Backup <b>/LCB/E</b> <sup>3</sup> Lightcloud Blue Enabled w/ Battery Backup <b>/LC/E</b> <sup>3</sup> Lightcloud Controller w/ Battery Backup

<sup>1</sup> 480V available only in WPX2 and WPX3 models

<sup>2</sup> /LCB option available only for 120-277V models

<sup>3</sup> Battery backup available only for WPX2 and WPX3 in 120-277V models