

# WPX Premium Wall Packs



WPX1



WPX2



WPX3



Field-adjustable wall packs



PROJECT: \_\_\_\_\_

DATE: \_\_\_\_\_

TYPE: \_\_\_\_\_

PREPARED BY: \_\_\_\_\_



## KEY FEATURES

- Premium wall pack available in three different sizes and selectable wattages:  
WPX1: 30/20/15W  
WPX2: 80/60/40W  
WPX3: 130/100/65W
- CCT Adjustable: 3000/4000/5000K
- Selectable on/off photocell
- 120-277V & 480V
- 0-10V dimming standard
- Battery backup available for 120-277V models
- Available with smart controls. Multi-sensor remote sold separately

## TECHNICAL SPECIFICATIONS

### COMPLIANCE

#### UL Listed

Suitable for wet location

#### DLC Listed

This product is listed by Design Lights Consortium (DLC) as an ultra-efficient premium product that qualifies for the highest tier of rebates from DLC Member Utilities. Designed to meet DLC 5.1 requirements.

MODEL#	DLC ID
WPX1	S-MW1VZF
WPX2	S-QGK4HV
WPX3	S-10CCLB
WPX2/480	S-CK3MPC
WPX3/480	S-NQRGMQ

### LED CHARACTERISTICS

#### LEDS

Long-life, high-efficacy, surface-mount LEDs

#### FIELD ADJUSTABLE

Adjustable CCT: 3000K/4000K/5000K (factory default 4000K)

#### Selectable Wattage:

WPX1: 30W/20W/15W (factory default 30W)

WPX2: 80W/60W/40W (factory default 80W)

WPX3: 130W/100W/65W (factory default 130W)

### CONSTRUCTION

#### IP Rating

Ingress protection rating of IP65 for dust and water

#### Cold Weather Starting

Minimum starting temperature is -40°C (-40°F)

#### Maximum Ambient Temperature

Suitable for use in up to 40°C (104°F)

#### Cold Weather Starting Temperature for Battery Backup

Minimum starting temperature is 1°C (33.8°F)

#### Maximum Ambient Temperature for Battery Backup

Suitable for use in up to 60°C (140°F)

#### Housing

Precision die-cast aluminum housing and door frame

#### Mounting

Hinged wiring access and conduit entries on the back sides, top and bottom make installation a snap

#### Lens

Borosilicate glass

#### Gasket

High-temperature silicone gasket

#### Reflector

Aluminum

#### Green Technology

Mercury and UV free. RoHS-compliant components.

#### Finish

Formulated for high durability and long lasting color

## TECHNICAL SPECIFICATIONS

### ELECTRICAL

#### Drivers:

##### Constant Current, Class 2, 120-277V, 50/60 Hz

**WPX1-30W:** 0.28A at 120V, 0.14A at 208V, 0.13A at 240V, 0.12A at 277V

**WPX1-20W:** 0.22A at 120V, 0.10A at 208V, 0.8A at 240V, 0.7A at 277V

**WPX1-15W:** 0.14A at 120V, 0.7A at 208V, 0.6A at 240V, 0.5A at 277V

**WPX2-80W:** 0.66A at 120V, 0.39A at 208V, 0.33A at 240V, 0.30A at 277V

**WPX2-60W:** 0.48A at 120V, 0.29A at 208V, 0.25A at 240V, 0.23A at 277V

**WPX2-40W:** 0.34A at 120V, 0.19A at 208V, 0.17A at 240V, 0.16A at 277V

##### Constant Current, Class 1, 120-277V, 50/60 Hz

**WPX3-130W:** 1.10A at 120V, 0.63A at 208V, 0.55A at 240V, 0.48A at 277V

**WPX3-100W:** 0.84A at 120V, 0.48A at 208V, 0.42A at 240V, 0.37A at 277V

**WPX3-65W:** 0.55A at 120V, 0.32A at 208V, 0.27A at 240V, 0.26A at 277V

##### Constant Current, Class 2, 480V, 50/60 Hz

**WPX2-80W:** 0.18A at 480V

**WPX2-60W:** 0.14A at 480V

**WPX2-40W:** 0.11A at 480V

##### Constant Current, Class 1, 480V, 50/60 Hz

**WPX3-130W:** 0.30A at 480V

**WPX3-100W:** 0.25A at 480V

**WPX3-65W:** 0.18A at 480V

#### THD

**WPX1-30W:** 2.8% at 120V, 20.6% at 277V

**WPX1-20W:** 3.2% at 120V, 11.9% at 277V

**WPX1-15W:** 5.1% at 120V, 9.3% at 277V

**WPX2-80W:** 2.5% at 120V, 3% at 277V

**WPX2-60W:** 2% at 120V, 12% at 277V

**WPX2-40W:** 2% at 120V, 3.7% at 277V

**WPX2-80W:** 7.2% at 480V

**WPX2-60W:** 10.6% at 480V

**WPX2-40W:** 16.1% at 480V

**WPX3-130W:** 4.1% at 120V, 7.2% at 277V

**WPX3-100W:** 4.4% at 120V, 8.9% at 277V

**WPX3-65W:** 5.1% at 120V, 12.2% at 277V

**WPX3-130W:** 13.3% at 480V

**WPX3-100W:** 14.6% at 480V

**WPX3-65W:** 17.9% at 480V

#### Dimming Driver:

Driver includes dimming control wiring for 0-10V dimming systems. Requires separate 0-10V DC dimming circuit. Dims down to 10%.

### ELECTRICAL

#### Power Factor

**WPX1-30W:** 99.7% at 120V, 93.5% at 277V

**WPX1-20W:** 99.6% at 120V, 90.2% at 277V

**WPX1-15W:** 98.9% at 120V, 81.6% at 277V

**WPX2-80W:** 99.7% at 120V, 95% at 277V

**WPX2-60W:** 99.6% at 120V, 91% at 277V

**WPX2-40W:** 99.2% at 120V, 84.8% at 277V

**WPX2-80W:** 91.3% at 480V

**WPX2-60W:** 85.8% at 480V

**WPX2-40W:** 78.2% at 480V

**WPX3-130W:** 99.8% at 120V, 95.9% at 277V

**WPX3-100W:** 99.7% at 120V, 93.7% at 277V

**WPX3-65W:** 99.3% at 120V, 87% at 277V

**WPX3-130W:** 90% at 480V

**WPX3-100W:** 87% at 480V

**WPX3-65W:** 79.9% at 480V

#### Photocell

Selectable On/Off Photocell included

#### Emergency Light Loss Factor

**WPX2:** 0.08

**WPX3:** 0.073

#### Surge Protection

**WPX1/WPX2:** 4/4kV

**WPX3:** 6/6kV

#### Note

All values are typical (tolerance +/- 10%)

### WIRELESS NETWORK LIGHTING CONTROLS

Lightcloud-enabled products offer integrated network lighting control for a truly wireless solution that allows you to control RAB's various compatible devices. With RAB's patented Rapid Provisioning technology, devices can be quickly and easily commissioned for residential and commercial applications. Each device can then communicate with other devices in the mesh network. With two Lightcloud systems to choose from, it's easy to implement controls within any application.

DLC system - N1XMLOEATBA (Interior); NHCZ2BIA17L (Exterior)

Learn more at [www.lightcloud.com](http://www.lightcloud.com)

#### Lightcloud Blue (/LCB)

- Utilizes Bluetooth Mesh, eliminating the need for a Gateway or Hub.
- Ideal for applications that need basic wireless control such as ON/OFF, dimming, color tuning, Schedules, and SmartShift.
- Download the Lightcloud Blue mobile app for iOS or Android devices.

#### Lightcloud Enterprise (/LC)

- Utilizes a secure cellular and Zigbee mesh network that requires a Gateway or Hub (sold separately).
- Offers premium features like remote commissioning, demand response, BACnet integration, and more.
- Download the Lightcloud Enterprise mobile app for iOS or Android devices.

## TECHNICAL SPECIFICATIONS (CONTINUED)

### OCCUPANCY SENSORS

**Sensor Type:** Microwave (MVS)

**Max Mounting Height:** 8 ft. to 15 ft.

**Detection Range:** 10 ft. to 23 ft.

**Default Settings:**

Motion Sensitivity: High

Brightness when triggered : 100%

Hold time: 1 minute (20 minutes for LCB sensors)

Standby to dim: 20%

Standby time: 1 minute

When vacant: Off

**Adjustable Settings:** Settings for Lightcloud Blue-enabled sensors can be adjusted using the mobile app. All other sensors will require MSR1 Remote to adjust the following sensor settings:

Standby to dim: 10%/20%/30%/50%

Standby time: 0s/10s/30s/1min/5min/10min/30min/60min/+∞

Daylight Threshold: 2Lux/10Lux/30Lux/50Lux/80Lux/120Lux/Disable

### PERFORMANCE

**Lifespan**

100,000-hour LED lifespan based on IES LM-80 results and TM-21 calculations

### OTHER

**Warranty**

The RAB 10-year, no-compromise warranty covers light output, color stability, driver performance, paint finish and labor. RAB's warranty is subject to all terms and conditions found at [rablighting.com/warranty](http://rablighting.com/warranty).

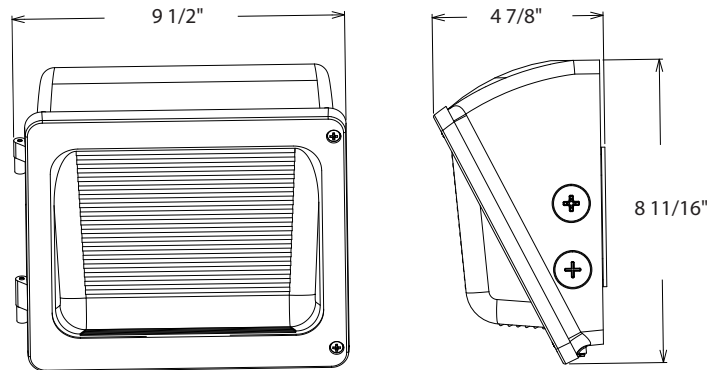
**Buy American Act Compliance:**

RAB values USA manufacturing! Upon request, RAB may be able to manufacture this product to be compliant with the BUY American Act (BAA). Please contact customer service to request a quote for the product to be made BAA compliant.

## DIMENSIONS

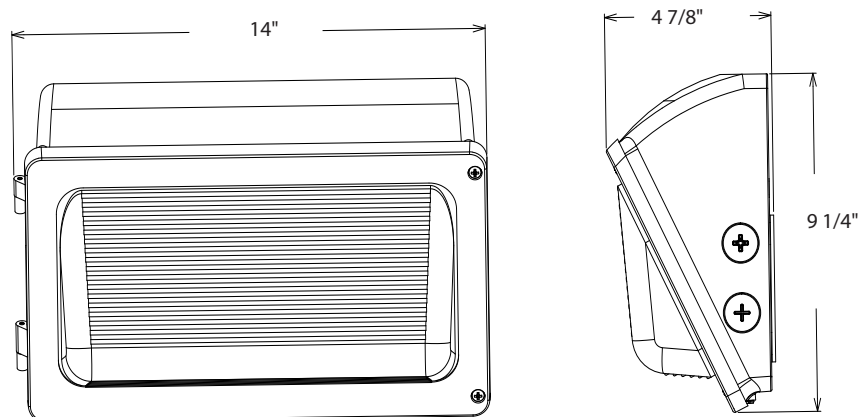
### WPX1

**Weight: 6.2 lbs**



### WPX2

**Weight: 9.5 lbs**



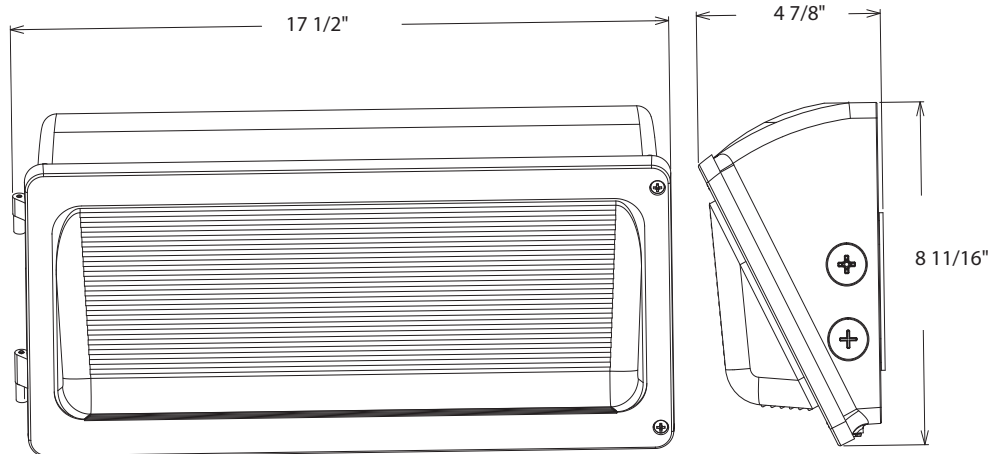
# WPX Premium Wall Packs



## DIMENSIONS (CONTINUED)

WPX3

Weight: 11.8 lbs



## PERFORMANCE

WPX1 (30/20/15W)	3000K	4000K	5000K	3000K	4000K	5000K	3000K	4000K	5000K
Wattage	30W			20W			15W		
Input Watts	33.2W	32.4W	33.3W	26.5W	26W	26.6W	17.9W	17.7W	17.9W
Lumens	4,470	4,739	4,619	3,648	3,818	3,764	2,497	2,575	2,562
Efficacy	134.6	146.3	138.7	137.7	146.8	141.5	1389.5	145.5	143.1
CRI	82	84	82	82	84	82	82	84	83
Voltage Ratings	120-277V								

WPX2 (80/60/40W)	3000K	4000K	5000K	3000K	4000K	5000K	3000K	4000K	5000K
Wattage	80W			60W			40W		
Input Watts	79W	76.6W	79.3W	57.5W	56W	57.8W	40W	39.3W	40.1W
Lumens	10,592	11,353	11,042	8,052	8,463	8,386	5,789	5,996	5,982
Efficacy	134.1	148.2	139.2	140	151.1	145.1	144.7	152.6	149.2
CRI	82	84	83	82	84	83	83	84	83
Voltage Ratings	120-277V								

WPX2 (80/60/40W)	3000K	4000K	5000K	3000K	4000K	5000K	3000K	4000K	5000K
Wattage	80W			60W			40W		
Input Watts	79.8W	77.2W	80.1W	59.2W	57.6W	59.4W	42.5W	41.6W	42.6W
Lumens	10,744	11,465	11,183	8,248	8,639	8,553	6,033	6,238	6,227
Efficacy	134.6	148.5	139.6	139.3	150	144	142	150	146.2
CRI	82	84	83	82	84	83	83	84	83
Voltage Ratings	480V								

# WPX Premium Wall Packs



## PERFORMANCE (CONTINUED)

WPX3 (130/100/65W)	3000K	4000K	5000K	3000K	4000K	5000K	3000K	4000K	5000K
Wattage	130W			100W			65W		
Input Watts	131.2W	126.1W	19.6W	100.2W	97W	99.2W	65.8W	64.2W	65.2W
Lumens	17,057	18,635	18,047	13,753	14,761	14,468	9,509	10,042	10,026
Efficacy	130	147.8	139.3	137.3	152.2	145.8	144.5	156.4	153.8
CRI	83	86	85	83	86	85	8/3	86	85
Voltage Ratings	120-277V								

WPX3 (130/100/65W)	3000K	4000K	5000K	3000K	4000K	5000K	3000K	4000K	5000K
Wattage	130W			100W			65W		
Input Watts	130.7W	125.6W	129.2W	102.8W	99.4W	101.7W	69.5W	68W	69W
Lumens	17,215	18,809	18,234	14,082	15,111	14,816	9,946	10,415	10,384
Efficacy	131.7	149.8	141.1	137	152	145.7	143.1	153.2	150.5
CRI	82	86	85	83	86	85	83	86	85
Voltage Ratings	480V								

## ORDERING MATRIX

### WPX

Family	Wattage	Color Temperature	Finish	Voltage	Options
<b>WPX</b>					
1	30/20/15W	<b>BLANK</b> 3000/4000/5000K CCT Adjustable	<b>BLANK</b> Bronze <b>W</b> White	<b>BLANK</b> 120-277V, 0-10V Dimming <b>/480</b> <sup>1</sup> 480V, 0-10V Dimming	<b>BLANK</b> Selectable On/Off Photocell <b>/MVS</b> Microwave Occupancy Sensor <b>/LCB</b> Lightcloud Blue Enabled <b>/LCBS/MVS</b> Lightcloud Blue Enabled w/MVS Sensor <b>/LC</b> Lightcloud Controller <b>/E</b> <sup>2</sup> Battery Backup <b>/MVS/E</b> <sup>2</sup> Microwave Occupancy Sensor w/Battery Backup <b>/LCB/E</b> <sup>2</sup> Lightcloud Blue Enabled w/ Battery Backup <b>/LC/E</b> <sup>2</sup> Lightcloud Controller w/ Battery Backup

<sup>1</sup> 480V available only in WPX2 and WPX3 models

<sup>2</sup> Battery backup available only for WPX2 and WPX3 in 120-277V models