



PROJECT: _____

DATE: _____

TYPE: _____

PREPARED BY: _____



Versatile in-wall dimmers



BLUETOOTH*
MESH



0-10V
DIMMABLE



TRIAC/ELV
DIMMABLE



FCC



RoHS

*Does not apply to XDIM

KEY FEATURES

- In-wall device for switching and dimming local load (ELV/MLV or 0-10V) and any Lightcloud Blue-enabled device
- Available for phase (forward/reverse, 120V) or 0-10V (120-277V) dimming
- Fade on/off and rapid full-on capability
- Set the max trim level for a zone or fixture
- Neutral wire connection is optional

PERFORMANCE

Catalog Number	Product Name	Dimming Control Type	Power Rating	Load Switching Capacity	Input Voltage
XDIM/LCB	Lightcloud Blue Phase Dimmer	Selectable Phase: Forward/Reverse	500W	LED/CFL: 300W INC/HAL/ELV: 500W MLV: 400VA	120V
XDIM/D10/LCB	Lightcloud Blue 0-10V Dimmer	0-10V	1200W	10A @ 120V; 5A @ 277V	120-277V
XDIM	Phase Dimmer	Selectable Phase: Forward/Reverse	500W	LED/CFL: 300W INC/HAL/ELV: 500W MLV: 400VA	120V

TECHNICAL SPECIFICATIONS

LIGHTCLOUD BLUE FEATURES*

Rapid Provisioning

This patent pending technology allows a user to pair groups of up to 100 devices at a time. Speeding up the commissioning process without any extra costs or fees to do so.

Tunable White

Using select products, users adjust the color temperature adjust the color temperature from 2200K to 6500K via the Lightcloud Blue mobile app, Remote Control, or other control devices.

Direct Connect

Use the Lightcloud Blue mobile app to connect to your lamps in minutes via Bluetooth Mesh; no Gateway or Hub required.

Mobile App Control

Use the Lightcloud Blue mobile app to configure features for On/Off Control, Dim Level, Color Temperature, Schedules, Scenes, SmartShift and more.

SmartShift Circadian Lighting

When using tunable white products users can automatically tune the color and intensity of the lights throughout the day, mimicking the sun's natural pattern. Automatically tunes the color and intensity of lights throughout the day, mimicking the sun's natural pattern.

Scalable

Devices within 60 feet of each other can communicate within the Bluetooth Mesh network to manage a maximum of up to 3,000 devices per account.

*Does not apply to XDIM

TECHNICAL SPECIFICATIONS (CONT.)

LIGHTCLOUD BLUE*

Gateway Required

No

Communication Protocol

Bluetooth Mesh

SmartShift

SmartShift is the most advanced—yet easiest to use—circadian lighting system, which syncs white color tuning with the local sunrise and sunset. SmartShift is available for us on any Lightcloud Blue enabled lamp or fixture that is tunable white.

Range

Up to 60 feet between standard building materials. Building materials such as brick, concrete, and steel construction may require additional Lightcloud Blue devices to extend around an obstruction. Up to 200 feet clear line of sight

Spacing Criteria

Lightcloud Blue devices should be placed within the specified range to communicate within the Bluetooth Mesh network.

Max # of Devices to Control

Up to 200 devices

Factory Reset

Method 1: Delete from App

Open the app and access the device settings for the paired device. Be sure that the device is online and select 'Delete'.

Method 2: Manual

Press and hold the reset switch until the status indicator blinks red.

Status Indicator Light

Flashing red (1second on/1second off): Device is not provisioned
Solid green: Device is provisioned

CONSTRUCTION

Product Type

Dimmer

Shape

Rectangular

Housing Material

Plastic

Finish

Matte White

Key Type

Paddle

Package Includes

- (1) Dimmer
- (1) Face plate bracket
- (1) Back plate
- (2) Mounting screws
- (1) Jumper wire
- (2) 5-pin wiring terminals
- (3) 2-pin wiring terminals
- (5) Connection wires

*Does not apply to XDIM

INSTALLATION

Mounting

Requires a U.S. wallbox with 2-inch depth (recommended) and a minimum depth of 1.46 inches

Application Type

- Single-pole
- 3-way mechanical switch
- 3-way application with normal toggle switch

Neutral Wire Required

- XDIM - Optional
- XDIM/LCB - Optional. Power usage can only be reported when neutral-wire is connected.
- XDIM/D10/LCB - Yes

COMPLIANCE

Safety Listing

UL 1472

Environment

Suitable for indoor use in dry and damp environments.

T20 Compliant

Not applicable

California Title 24 JA8 Compliant

Not applicable

California Energy Commission (CEC) Status

Lawful for Sale in California

FCC

Complies with Part 15 of the FCC Rules

RoHS

Mercury and UV free. RoHS-compliant components.

ELECTRICAL

Multi-Gang Derating

When combining controls in the same wallbox, derating is required.

LED/CFL

Not Ganged: 300W max load

End of Gang: 250W max load

Middle of Gang: 200W max load

INC/HAL/ELV/MLV

Not Ganged: 500W max load

End of Gang: 400W max load

Middle of Gang: 300W max load

Self-Calibration (Phase Dimmers Only)

Via dip switch choose a self-calibration option based on the fixtures being controlled:

F - forward phase

A - auto-detect forward/reverse phase

R - reverse phase

Note: after dip switch adjustment, power device off and then power on again.

TECHNICAL SPECIFICATIONS (CONT.)

ELECTRICAL

Power Cut Off Switch
Yes

Operating Frequency
60 Hz

Operating Temperature
32 °F to 104 °F (0 °C to 40 °C)

OTHER

Warranty

The RAB 3-year, limited warranty covers light output, driver performance and paint finish. RAB's warranty is subject to all terms and conditions found at rablighting.com/warranty.

Note

All values are typical (tolerance +/- 10%)

Download the Lightcloud Blue app for free to get started!



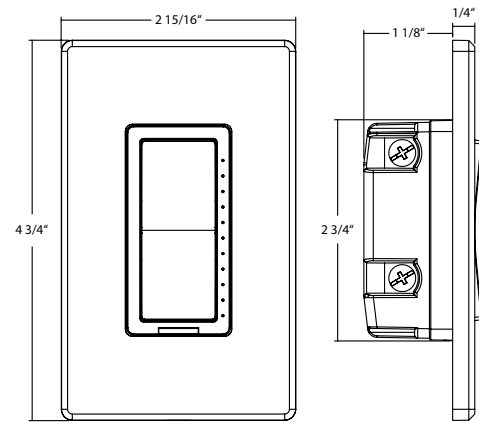
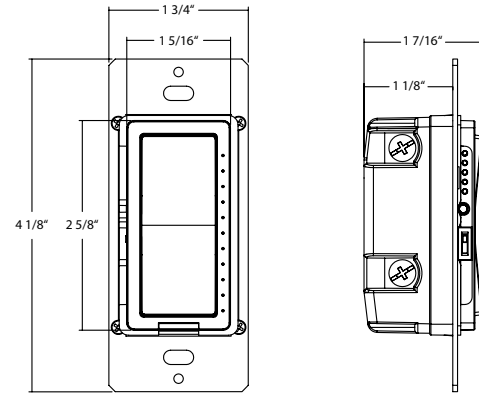
DIMENSIONS

Phase Dimmer

Weight: 0.40 lb

0-10V Dimmer

Weight: 0.43 lb



ORDERING INFO

Catalog/Model Number	UPC	Case Pack
XDIM/LCB	192552027045	24
XDIM/D10/LCB	192552027052	24
XDIM	192552027038	24

ORDERING MATRIX

Family	Voltage/Dimming	Color	Options
XDIM	Blank /D10 120V, Forward/Reverse phase 120-277V, 0-10V	Blank Matte White	Blank /LCB Standard Lightcloud Blue-enabled